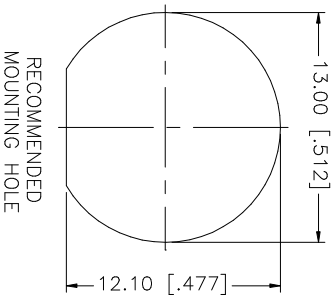
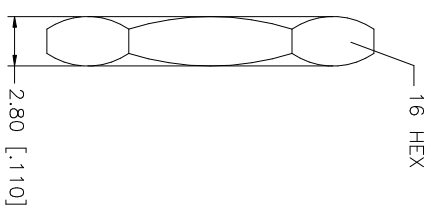
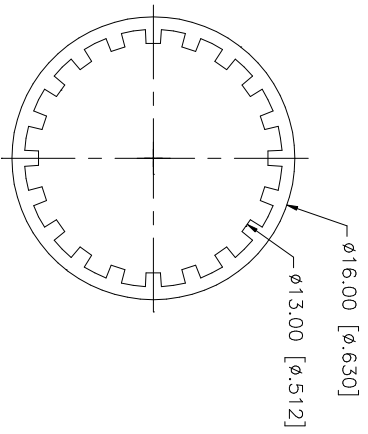
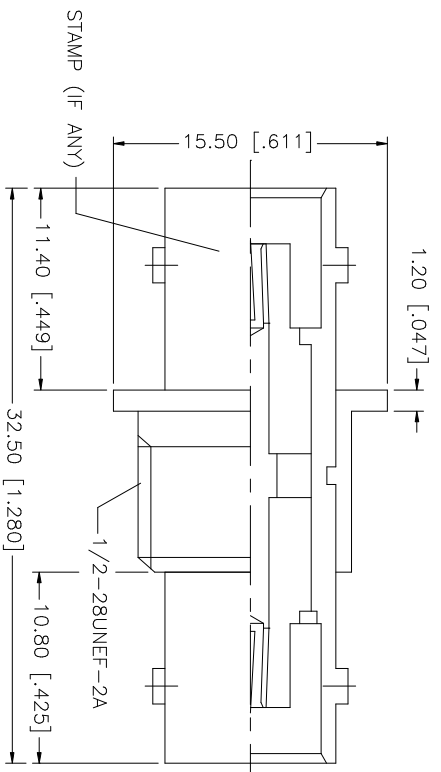


REV.	DATE	DESCRIPTION
NC	01/14/03	INITIAL RELEASE



NOTE:
1. MAX. PANEL THICKNESS = 5.5mm

QTY	FINISH	MATERIAL	DESCRIPTION
1	NICKEL	BRASS	HEX NUT
1	NICKEL	BRASS	LOCK WASHER
1	NICKEL	BRASS	LOCK RING
1	GOLD	PHOS. BRONZE	CONTACT PIN
1	NATURAL	DELIN	INSULATOR
1	WHITE	DELIN	INSULATOR
1	NICKEL	BRASS	BODY

UNLESS OTHERWISE SPECIFIED, DIMENSIONS ARE IN INCHES AND FOR CUSTOMER REFERENCE ONLY.	UNLESS OTHERWISE SPECIFIED, DIMENSIONS ARE IN MILLIMETERS.
TOLERANCES FOR MILLIMETERS ARE:	TOLERANCES FOR INCHES ARE:
0.5 - 8mm ± 0.20mm	0.125 - 0.250 ± 0.005"
8 - 30mm ± 0.40mm	0.250 - 1.250 ± 0.010"
30 - 120mm ± 0.50mm	1.250 - 2.500 ± 0.015"
120mm - 200mm ± 0.75mm	2.500 - 5.000 ± 0.020"
200mm - 300mm ± 1.00mm	5.000 - 10.000 ± 0.030"
300mm - 500mm ± 1.50mm	10.000 - 25.000 ± 0.050"
500mm - 1000mm ± 2.00mm	25.000 - 100.000 ± 0.100"
1000mm - 2000mm ± 3.00mm	100.000 - 200.000 ± 0.150"
2000mm - 5000mm ± 5.00mm	200.000 - 500.000 ± 0.250"
5000mm - 10000mm ± 7.00mm	500.000 - 1000.000 ± 0.400"
10000mm - 20000mm ± 10.00mm	1000.000 - 2000.000 ± 0.600"
20000mm - 50000mm ± 15.00mm	2000.000 - 5000.000 ± 0.900"
50000mm - 100000mm ± 20.00mm	5000.000 - 10000.000 ± 1.200"
100000mm - 200000mm ± 30.00mm	10000.000 - 20000.000 ± 1.800"
200000mm - 500000mm ± 40.00mm	20000.000 - 50000.000 ± 2.400"
500000mm - 1000000mm ± 50.00mm	50000.000 - 100000.000 ± 3.000"
1000000mm - 2000000mm ± 60.00mm	100000.000 - 200000.000 ± 3.600"
2000000mm - 5000000mm ± 70.00mm	200000.000 - 500000.000 ± 4.200"
5000000mm - 10000000mm ± 80.00mm	500000.000 - 1000000.000 ± 4.800"
10000000mm - 20000000mm ± 90.00mm	1000000.000 - 2000000.000 ± 5.400"
20000000mm - 50000000mm ± 100.00mm	2000000.000 - 5000000.000 ± 6.000"
50000000mm - 100000000mm ± 110.00mm	5000000.000 - 10000000.000 ± 6.600"
100000000mm - 200000000mm ± 120.00mm	10000000.000 - 20000000.000 ± 7.200"
200000000mm - 500000000mm ± 130.00mm	20000000.000 - 50000000.000 ± 7.800"
500000000mm - 1000000000mm ± 140.00mm	50000000.000 - 100000000.000 ± 8.400"
1000000000mm - 2000000000mm ± 150.00mm	100000000.000 - 200000000.000 ± 9.000"
2000000000mm - 5000000000mm ± 160.00mm	200000000.000 - 500000000.000 ± 9.600"
5000000000mm - 10000000000mm ± 170.00mm	500000000.000 - 1000000000.000 ± 10.200"
10000000000mm - 20000000000mm ± 180.00mm	1000000000.000 - 2000000000.000 ± 10.800"
20000000000mm - 50000000000mm ± 190.00mm	2000000000.000 - 5000000000.000 ± 11.400"
50000000000mm - 100000000000mm ± 200.00mm	5000000000.000 - 10000000000.000 ± 12.000"
100000000000mm - 200000000000mm ± 210.00mm	10000000000.000 - 20000000000.000 ± 12.600"
200000000000mm - 500000000000mm ± 220.00mm	20000000000.000 - 50000000000.000 ± 13.200"
500000000000mm - 1000000000000mm ± 230.00mm	50000000000.000 - 100000000000.000 ± 13.800"
1000000000000mm - 2000000000000mm ± 240.00mm	100000000000.000 - 200000000000.000 ± 14.400"
2000000000000mm - 5000000000000mm ± 250.00mm	200000000000.000 - 500000000000.000 ± 15.000"
5000000000000mm - 10000000000000mm ± 260.00mm	500000000000.000 - 1000000000000.000 ± 15.600"
10000000000000mm - 20000000000000mm ± 270.00mm	1000000000000.000 - 2000000000000.000 ± 16.200"
20000000000000mm - 50000000000000mm ± 280.00mm	2000000000000.000 - 5000000000000.000 ± 16.800"
50000000000000mm - 100000000000000mm ± 290.00mm	5000000000000.000 - 10000000000000.000 ± 17.400"
100000000000000mm - 200000000000000mm ± 300.00mm	10000000000000.000 - 20000000000000.000 ± 18.000"
200000000000000mm - 500000000000000mm ± 310.00mm	20000000000000.000 - 50000000000000.000 ± 18.600"
500000000000000mm - 1000000000000000mm ± 320.00mm	50000000000000.000 - 100000000000000.000 ± 19.200"
1000000000000000mm - 2000000000000000mm ± 330.00mm	100000000000000.000 - 200000000000000.000 ± 19.800"
2000000000000000mm - 5000000000000000mm ± 340.00mm	200000000000000.000 - 500000000000000.000 ± 20.400"
5000000000000000mm - 10000000000000000mm ± 350.00mm	500000000000000.000 - 1000000000000000.000 ± 21.000"
10000000000000000mm - 20000000000000000mm ± 360.00mm	1000000000000000.000 - 2000000000000000.000 ± 21.600"
20000000000000000mm - 50000000000000000mm ± 370.00mm	2000000000000000.000 - 5000000000000000.000 ± 22.200"
50000000000000000mm - 100000000000000000mm ± 380.00mm	5000000000000000.000 - 10000000000000000.000 ± 22.800"
100000000000000000mm - 200000000000000000mm ± 390.00mm	10000000000000000.000 - 20000000000000000.000 ± 23.400"
200000000000000000mm - 500000000000000000mm ± 400.00mm	20000000000000000.000 - 50000000000000000.000 ± 24.000"
500000000000000000mm - 1000000000000000000mm ± 410.00mm	50000000000000000.000 - 100000000000000000.000 ± 24.600"
1000000000000000000mm - 2000000000000000000mm ± 420.00mm	100000000000000000.000 - 200000000000000000.000 ± 25.200"
2000000000000000000mm - 5000000000000000000mm ± 430.00mm	200000000000000000.000 - 500000000000000000.000 ± 25.800"
5000000000000000000mm - 10000000000000000000mm ± 440.00mm	500000000000000000.000 - 1000000000000000000.000 ± 26.400"
10000000000000000000mm - 20000000000000000000mm ± 450.00mm	1000000000000000000.000 - 2000000000000000000.000 ± 27.000"
20000000000000000000mm - 50000000000000000000mm ± 460.00mm	2000000000000000000.000 - 5000000000000000000.000 ± 27.600"
50000000000000000000mm - 100000000000000000000mm ± 470.00mm	5000000000000000000.000 - 10000000000000000000.000 ± 28.200"
100000000000000000000mm - 200000000000000000000mm ± 480.00mm	10000000000000000000.000 - 20000000000000000000.000 ± 28.800"
200000000000000000000mm - 500000000000000000000mm ± 490.00mm	20000000000000000000.000 - 50000000000000000000.000 ± 29.400"
500000000000000000000mm - 1000000000000000000000mm ± 500.00mm	50000000000000000000.000 - 100000000000000000000.000 ± 30.000"

APPROVALS	DATE
DRAWN G.R.S.	01/14/03
CHECKED	
ISSUED	

PART NO.	DESCRIPTION
112444	BNC FEMALE TO FEMALE BULKHEAD ISOLATED ADAPTER

CAD FILE	DWG. NO.	REV.	SIZE	SCALE
C:/112/112444.DWG	112444.DWG	NC	A	NA

Amphenol Connex

BNC FEMALE TO FEMALE BULKHEAD ISOLATED ADAPTER

X-ON Electronics

Largest Supplier of Electrical and Electronic Components

Click to view similar products for [RF Adapters - In Series category:](#)

Click to view products by [Amphenol manufacturer:](#)

Other Similar products are found below :

[5916-1103-603](#) [5918-1103-000](#) [5919-1503-000](#) [651A505](#) [82-5552](#) [9030-9523-502](#) [A0407000](#) [R114703000W](#) [R125704000](#) [R125771001](#)
[R141710000W](#) [R141723161](#) [R141730000](#) [R143730700](#) [R143770000](#) [R161703000W](#) [R161730000](#) [R161753000W](#) [R161791530W](#)
[R201705000](#) [R222705200](#) [R222M40010W](#) [R223703180](#) [R316754000](#) [R405006000](#) [R443162000](#) [AD78TL](#) [HRM-513S](#) [1996352-2](#)
[2157155-1](#) [252169-75](#) [AD158](#) [2101130-1](#) [252186](#) [R114704000W](#) [R114720000W](#) [R125705001](#) [R125705701](#) [R125771000](#) [R125771001W](#)
[R125791501W](#) [R127704001](#) [R127.870.001](#) [R127872001](#) [R141717000](#) [R142710000](#) [R142723000](#) [R143703000](#) [R143704000](#) [R143705700](#)