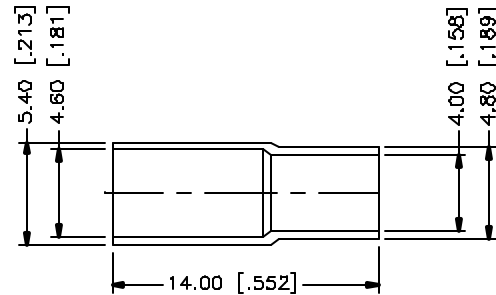
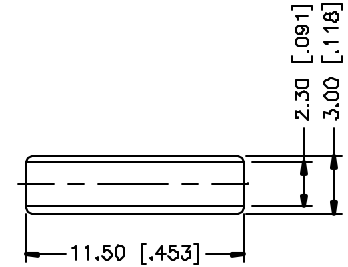
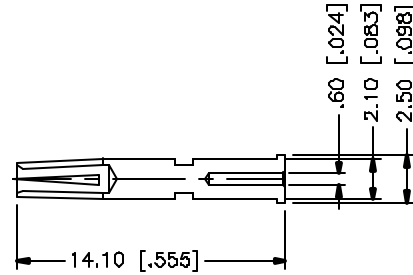
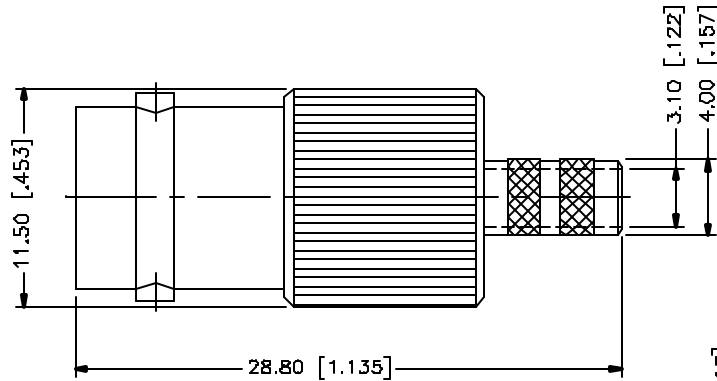
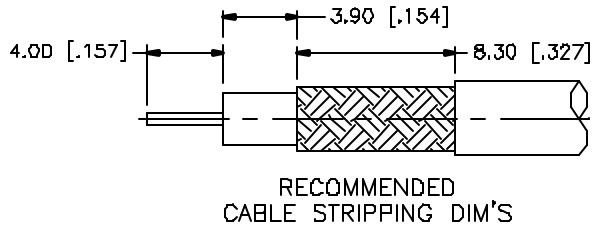


REV.	DATE	DESCRIPTION
NC	03/08/05	UPDATE DRAWING FORMAT



CRIMP NOTES:

1. CRIMPED FERRULE
HEX CRIMP SIZE .187"
2. CRIMPED CONTACT PIN
HEX CRIMP SIZE .068"

				UNLESS OTHERWISE SPECIFIED DIMENSIONS ARE IN MILLIMETERS. DIMENSIONS IN [] ARE IN INCHES AND FOR CUSTOMER REFERENCE ONLY.	APPROVALS	DATE	<h1 style="color: blue; margin: 0;">Amphenol Connex</h1>										
8					DRAWN	G.R.S.					03/08/05	PART DESCRIPTION BNC CRIMP JACK (FOR B573945, Q841 MINI MAX 500 CABLE)					
7					CHECKED			PART NO. 112638									
6					ISSUED							DWG. NO. 112638.DWG <table border="0" style="float: right;"> <tr> <td>REV.</td> <td>NC</td> <td>SIZE</td> <td>A</td> <td>SCALE</td> <td>NA</td> </tr> </table>				REV.	NC
REV.	NC	SIZE	A	SCALE	NA												
5	FERRULE	COPPER	NICKEL	1	SHEET	1 OF 1											
4	SLEEVE	DELFIN	NATURAL	1	CAD FILE		C:/112/112638.DWG										
3	INSULATOR	DELFIN	NATURAL	1													
2	CONTACT PIN	PHOS. BRONZE	GOLD	1													
1	HOUSING/BODY	BRASS	NICKEL	1													
DESCRIPTION				MATERIAL	FINISH	QTY											
							DO NOT SCALE DRAWING										

UNLESS OTHERWISE SPECIFIED DIMENSIONS ARE IN MILLIMETERS. DIMENSIONS IN [] ARE IN INCHES AND FOR CUSTOMER REFERENCE ONLY.

UNLESS OTHERWISE SPECIFIED TOLERANCES FOR MILLIMETERS ARE:
 0.5 - 8mm ± 0.20mm
 8 - 30mm ± 0.40mm
 30 - 120mm ± 0.50mm

UNLESS OTHERWISE SPECIFIED TOLERANCES FOR INCHES ARE:
 .020 - .310 = ± 0.007"
 .315 - 1.180 = ± 0.015"
 1.180 - 4.724 = ± 0.020"

DO NOT SCALE DRAWING

APPROVALS

DATE

DRAWN

G.R.S.

03/08/05

CHECKED

ISSUED

SHEET

1 OF 1

CAD FILE

C:/112/112638.DWG

PART DESCRIPTION

BNC CRIMP JACK
(FOR B573945, Q841 MINI MAX 500 CABLE)

PART NO.

112638

DWG. NO.

112638.DWG

REV.

NC

SIZE

A

SCALE

NA

X-ON Electronics

Largest Supplier of Electrical and Electronic Components

Click to view similar products for [RF Connectors / Coaxial Connectors](#) category:

Click to view products by [Amphenol](#) manufacturer:

Other Similar products are found below :

[8915-1511-000](#) [89674-0827](#) [6001-7071-019](#) [6002-7051-003](#) [6002-7551-202](#) [6059674-1](#) [619550-1](#) [630059-000](#) [M39030/3-01N](#) [6500-7071-046](#) [6769](#) [CX050L2AQ](#) [7002-1542-011](#) [7004-1512-000](#) [7009-1511-004](#) [7010-1511-000](#) [7029-1511-060](#) [7101-1541-010](#) [7101-1571-002](#) [7105-1521-002](#) [7145-1521-002](#) [7203-1571-003](#) [7209-1511-011](#) [7210-1511-015](#) [7210-1511-019](#) [73137-5015](#) [73216-2241](#) [7325-1512-000](#) [73404-2300](#) [7405-1521-005](#) [7405-1521-802](#) [7406-1521-005](#) [8527](#) [8547](#) [FS11V](#) [8808-1511-001](#) [9049-9513-000](#) [9074-9513-000](#) [9101-9573-002](#) [910A205F](#) [9130-9573-002](#) [PL11SC-026](#) [PL375-33](#) [PL40-5](#) [PL71-9](#) [PL74C-221](#) [PL75MC-217](#) [PL803-7](#) [980-8666-005](#) [1200690078](#)