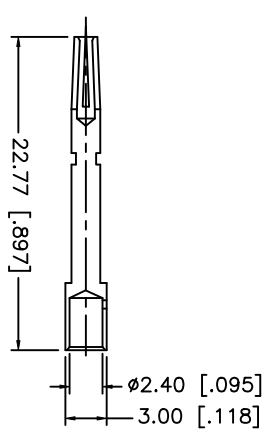
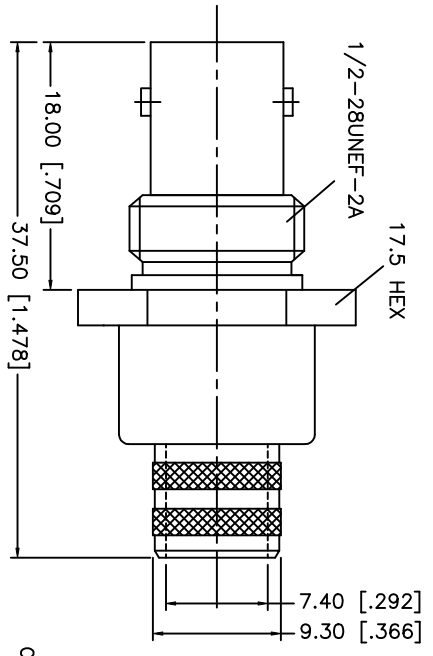
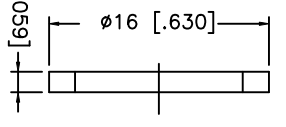
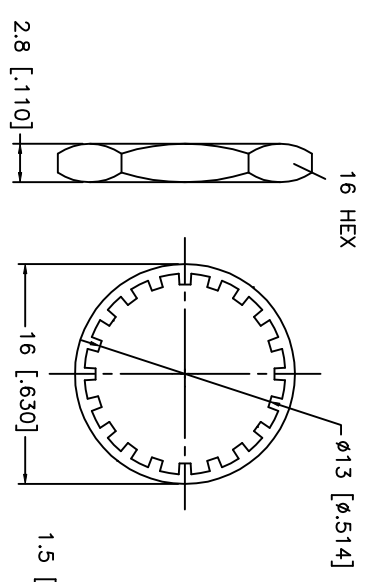
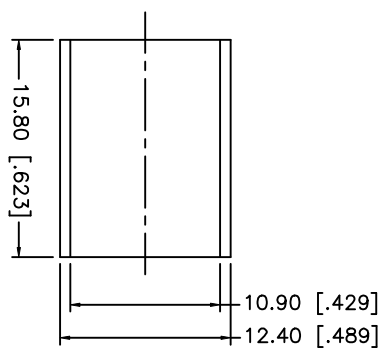
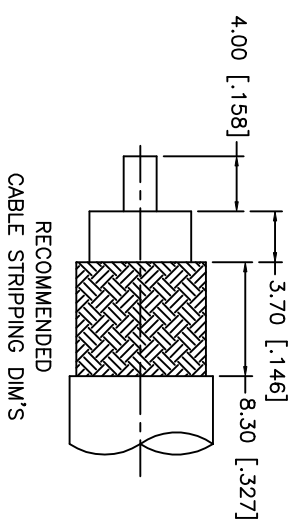
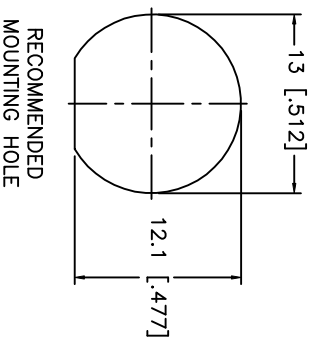


REV.	DATE	DESCRIPTION
NC	07/17/02	INITIAL RELEASE



- CRIMP NOTES:
1. CRIMPED FERRULE HEX CRIMP SIZE .429"
  2. CRIMPED CONTACT PIN HEX CRIMP SIZE .100"
  2. MAX. PANEL THICKNESS = 3.5mm

9	FERRULE	COPPER	NICKEL
8	CONTACT PIN	PHOS. BRONZE	GOLD
7	HEX NUT	BRASS	NICKEL
6	LOCK WASHER	BRASS	NICKEL
5	GASKET	RUBBER	RED
4	BARREL	BRASS	NICKEL
3	INSULATOR	TEFLON	NATURAL
2	BODY	BRASS	NICKEL
1	HOUSING	BRASS	NICKEL
	DESCRIPTION	MATERIAL	FINISH

UNLESS OTHERWISE SPECIFIED DIMENSIONS ARE IN MILLIMETERS  
 DIMENSIONS IN [ ] ARE IN INCHES FOR CUSTOMER REFERENCE ONLY  
 UNLESS OTHERWISE SPECIFIED TOLERANCES FOR INCHES ARE:  
 .XXX = ± 0.005"  
 .XX = ± 0.010"  
 .X = ± 0.020"  
 DO NOT SCALE DRAWING

APPROVALS	DATE
G.R.S.	07/17/02
DRAWN	
CHECKED	
ISSUED	

**Amphenol - Connex**  
 CONNECTOR CORPORATION

BNC BULKHEAD CRIMP JACK  
 (FOR RG-213/U CABLE)

SCALE	PART NO.	DWG. NO.	REV.
NA	99001	112709.DWG	NC

SIZE A

112709

SHEET 1 OF 1

## X-ON Electronics

Largest Supplier of Electrical and Electronic Components

*Click to view similar products for [RF Connectors / Coaxial Connectors](#) category:*

*Click to view products by [Amphenol](#) manufacturer:*

Other Similar products are found below :

[8915-1511-000](#) [89674-0827](#) [6001-7071-019](#) [6002-7051-003](#) [6002-7551-202](#) [6059674-1](#) [619550-1](#) [630059-000](#) [M39030/3-01N](#) [M3933/25-36N](#) [6500-7071-046](#) [6769](#) [CX050L2AQ](#) [7002-1542-011](#) [7004-1512-000](#) [7009-1511-004](#) [7010-1511-000](#) [7029-1511-060](#) [7101-1541-010](#) [7101-1571-002](#) [7105-1521-002](#) [7145-1521-002](#) [7203-1571-003](#) [7209-1511-011](#) [7210-1511-015](#) [7210-1511-019](#) [73137-5015](#) [73216-2241](#) [7325-1512-000](#) [73404-2300](#) [7405-1521-005](#) [7405-1521-802](#) [7406-1521-005](#) [8527](#) [8547](#) [FS11V](#) [8808-1511-001](#) [9049-9513-000](#) [9074-9513-000](#) [9101-9573-002](#) [910A205F](#) [9130-9573-002](#) [PL11SC-026](#) [PL375-33](#) [PL40-5](#) [PL71-9](#) [PL74C-221](#) [PL75MC-217](#) [PL803-7](#) [980-8666-005](#)