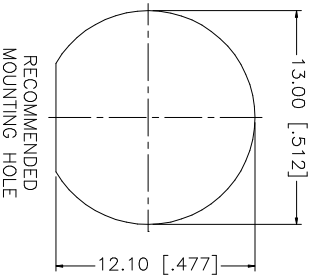
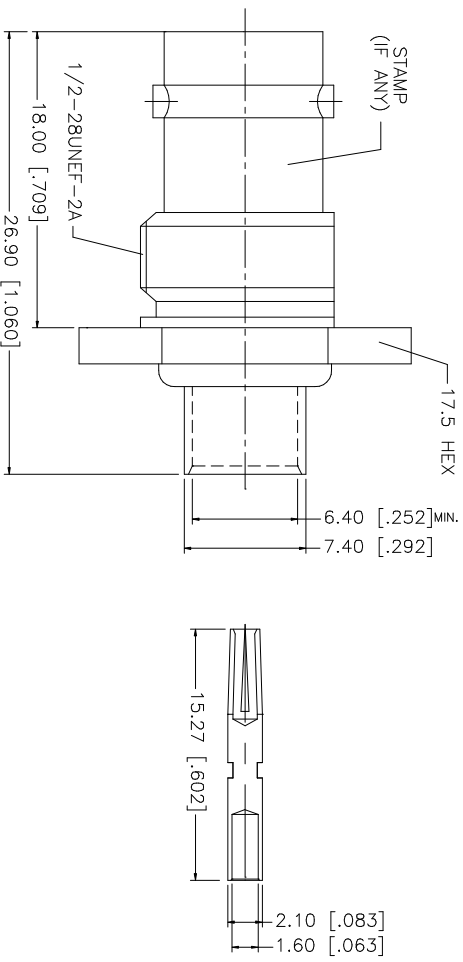
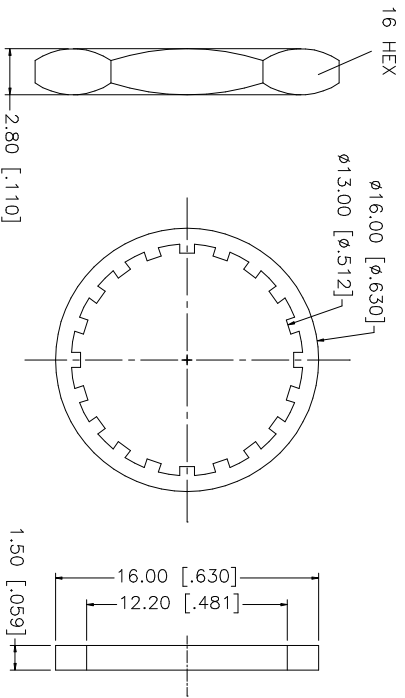
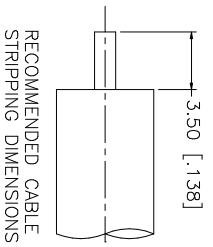


REV.	DATE	DESCRIPTION
NC	02/21/03	INITIAL RELEASE



NOTE:
1. CONTACT PIN TO SOLDER

8																			
7																			
6	HEX NUT	BRASS	NICKEL	1															
5	LOCK WASHER	BRASS	NICKEL	1															
4	GASKET	RUBBER	RED	1															
3	CONTACT PIN	PHOS. BRONZE	GOLD	1															
2	INSULATOR	TEFLON	NATURAL	1															
1	BODY/HOUSING	BRASS	NICKEL	1															
	DESCRIPTION	MATERIAL	FINISH	QTY															
					UNLESS OTHERWISE SPECIFIED DIMENSIONS ARE IN MILLIMETERS. DIMENSIONS IN [] ARE IN INCHES AND FOR CUSTOMER REFERENCE ONLY.														
					UNLESS OTHERWISE SPECIFIED TOLERANCES FOR MILLIMETERS ARE:														
					0.5 - 8mm ± 0.20mm														
					8 - 30mm ± 0.40mm														
					30 - 120mm ± 0.50mm														
					UNLESS OTHERWISE SPECIFIED TOLERANCES FOR INCHES ARE:														
					.020 - .315 = ± 0.007"														
					.315 - 1.180 = ± 0.015"														
					1.180 - 4.724 = ± 0.020"														
					DO NOT SCALE DRAWING														
		APPROVALS		DATE															
		DRAWN		G.R.S.		02/21/03													
		CHECKED																	
		ISSUED																	
		SHEET		1 OF 1															
		CAD FILE		C:/122/122489.DWG															
		DWG. NO.		112714.DWG															
		REV.		NC															
		SIZE		A															
		SCALE		NA															
		PART DESCRIPTION																	
		BNC BULKHEAD DIRECT SOLDER JACK																	
		(FOR .250" SEMI-RIGID CABLE)																	
		PART NO.		112714															

Amphenol Connex

BNC BULKHEAD DIRECT SOLDER JACK
(FOR .250" SEMI-RIGID CABLE)

112714

X-ON Electronics

Largest Supplier of Electrical and Electronic Components

Click to view similar products for [RF Connectors / Coaxial Connectors](#) category:

Click to view products by [Amphenol](#) manufacturer:

Other Similar products are found below :

[8915-1511-000](#) [89674-0827](#) [6001-7071-019](#) [6002-7051-003](#) [6002-7551-202](#) [6059674-1](#) [619550-1](#) [630059-000](#) [M39030/3-01N](#) [M3933/25-36N](#) [6500-7071-046](#) [6769](#) [CX050L2AQ](#) [7002-1542-011](#) [7004-1512-000](#) [7009-1511-004](#) [7010-1511-000](#) [7029-1511-060](#) [7101-1541-010](#) [7101-1571-002](#) [7105-1521-002](#) [7145-1521-002](#) [7203-1571-003](#) [7209-1511-011](#) [7210-1511-015](#) [7210-1511-019](#) [73137-5015](#) [73216-2241](#) [7325-1512-000](#) [73404-2300](#) [7405-1521-005](#) [7405-1521-802](#) [7406-1521-005](#) [8527](#) [8547](#) [FS11V](#) [8808-1511-001](#) [9049-9513-000](#) [9074-9513-000](#) [9101-9573-002](#) [910A205F](#) [9130-9573-002](#) [PL11SC-026](#) [PL375-33](#) [PL40-5](#) [PL71-9](#) [PL74C-221](#) [PL75MC-217](#) [PL803-7](#) [980-8666-005](#)