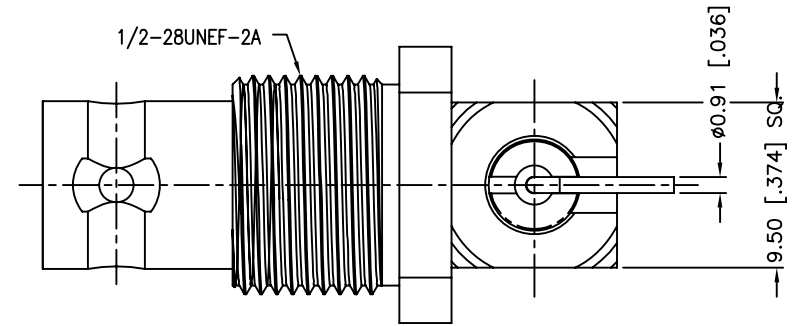
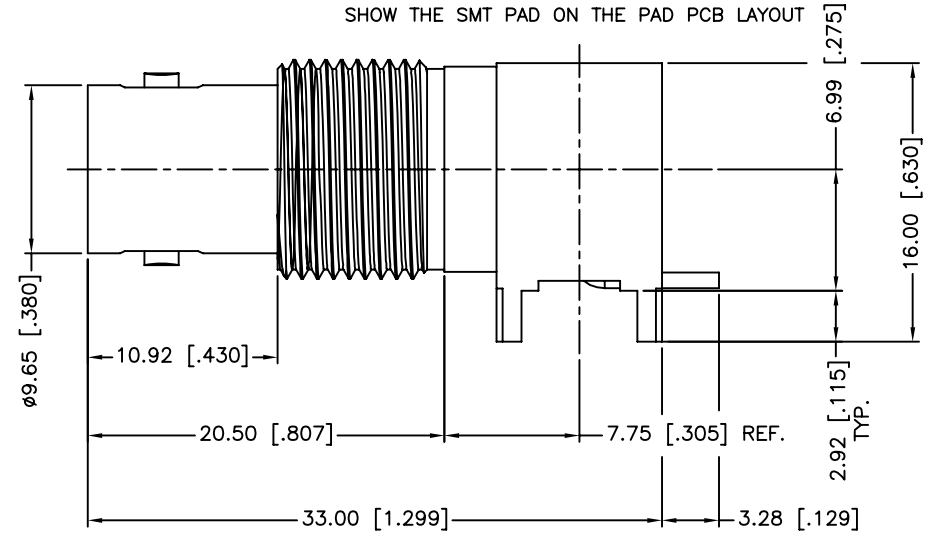
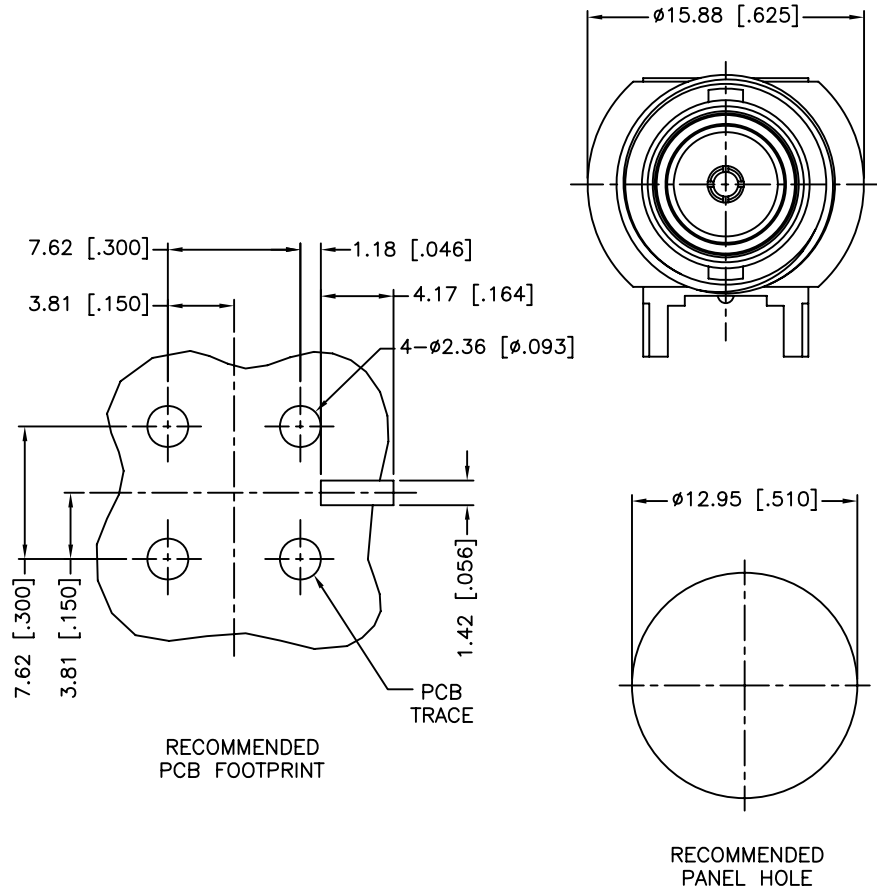


REV.	DATE	ECR NO.	DESCRIPTION
NC	03/22/10	XXXXXX	INITIAL RELEASE
E	04/15/10	2040	CHANG BACK BODY PLATED FROM MATTE TIN TO NICKEL
F	04/26/10	2042	



- FREQUENCY RANGE: DC - 1 GHz
  - VSWR(RETURN LOSS): 1.12 (25dB), MAX DC - 1.5GHz  
1.22 (20dB), MAX 1.5 - 3 GHz
- VSWR PERFORMANCE DEPENDANT UPON PCB LAUNCH CONFIGURATION

DESCRIPTION	MATERIAL	FINISH	QTY	
7	INSULATOR DISC	PTFE	NATURAL	1
6	BODY-CUBE	BRASS	NICKEL	1
5	CONTACT-REAR	BRASS	GOLD	1
4	INSULATOR	PTFE	NATURAL	1
3	CONTACT PIN	BER. COPPER	GOLD	1
2	LOCK RING	BRASS	NICKEL	1
1	BODY	BRASS	NICKEL	1

UNLESS OTHERWISE SPECIFIED DIMENSIONS ARE IN MILLIMETERS. DIMENSIONS IN [ ] ARE IN INCHES AND FOR CUSTOMER REFERENCE ONLY.

UNLESS OTHERWISE SPECIFIED TOLERANCES FOR MILLIMETERS ARE:  
0.5 - 8mm ± 0.20mm  
8 - 30mm ± 0.40mm  
30 - 120mm ± 0.50mm

UNLESS OTHERWISE SPECIFIED TOLERANCES FOR INCHES ARE:  
.020 - .315 = ± 0.007"  
.315 - 1.180 = ± 0.015"  
1.180 - 4.724 = ± 0.020"

DO NOT SCALE DRAWING

APPROVALS	DATE
DRAWN M.ZHANG	04/26/10
CHECKED	
ISSUED	
SHEET 1 OF 1	
CAD FILE C:/CONNEX/112800.DWG	

**Amphenol Connex**

PART DESCRIPTION  
**BNC R/A PCB JACK THRU LEG,  
SMT CONTACT BULKHEAD - 75 OHM**

PART NO.  
**112800**

DWG. NO. 112800.DWG	REV. F	SIZE A	SCALE NA
---------------------	--------	--------	----------

## X-ON Electronics

Largest Supplier of Electrical and Electronic Components

*Click to view similar products for [RF Connectors / Coaxial Connectors](#) category:*

*Click to view products by [Amphenol](#) manufacturer:*

Other Similar products are found below :

[8915-1511-000](#) [89674-0827](#) [6001-7071-019](#) [6002-7051-003](#) [6002-7551-202](#) [6059674-1](#) [619550-1](#) [630059-000](#) [M39030/3-01N](#) [M3933/25-36N](#) [6500-7071-046](#) [6769](#) [CX050L2AQ](#) [7002-1542-011](#) [7004-1512-000](#) [7009-1511-004](#) [7010-1511-000](#) [7029-1511-060](#) [7101-1541-010](#) [7101-1571-002](#) [7105-1521-002](#) [7145-1521-002](#) [7203-1571-003](#) [7209-1511-011](#) [7210-1511-015](#) [7210-1511-019](#) [73137-5015](#) [73216-2241](#) [7325-1512-000](#) [73404-2300](#) [7405-1521-005](#) [7405-1521-802](#) [7406-1521-005](#) [8527](#) [8547](#) [FS11V](#) [8808-1511-001](#) [9049-9513-000](#) [9074-9513-000](#) [9101-9573-002](#) [910A205F](#) [9130-9573-002](#) [PL11SC-026](#) [PL375-33](#) [PL40-5](#) [PL71-9](#) [PL74C-221](#) [PL75MC-217](#) [PL803-7](#) [980-8666-005](#)