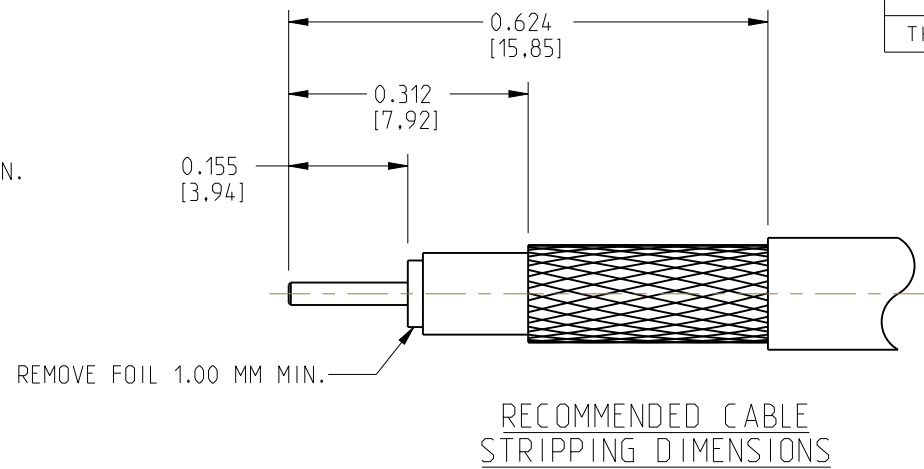
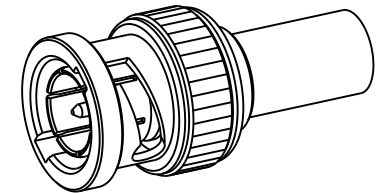


NOTES:

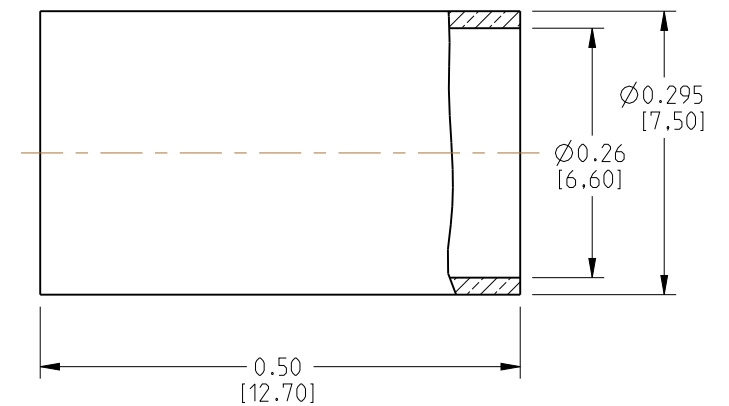
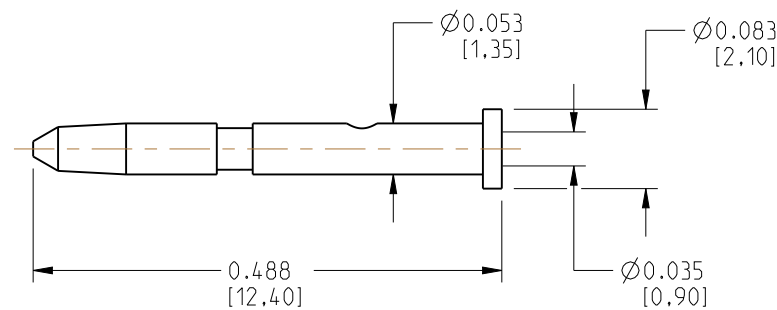
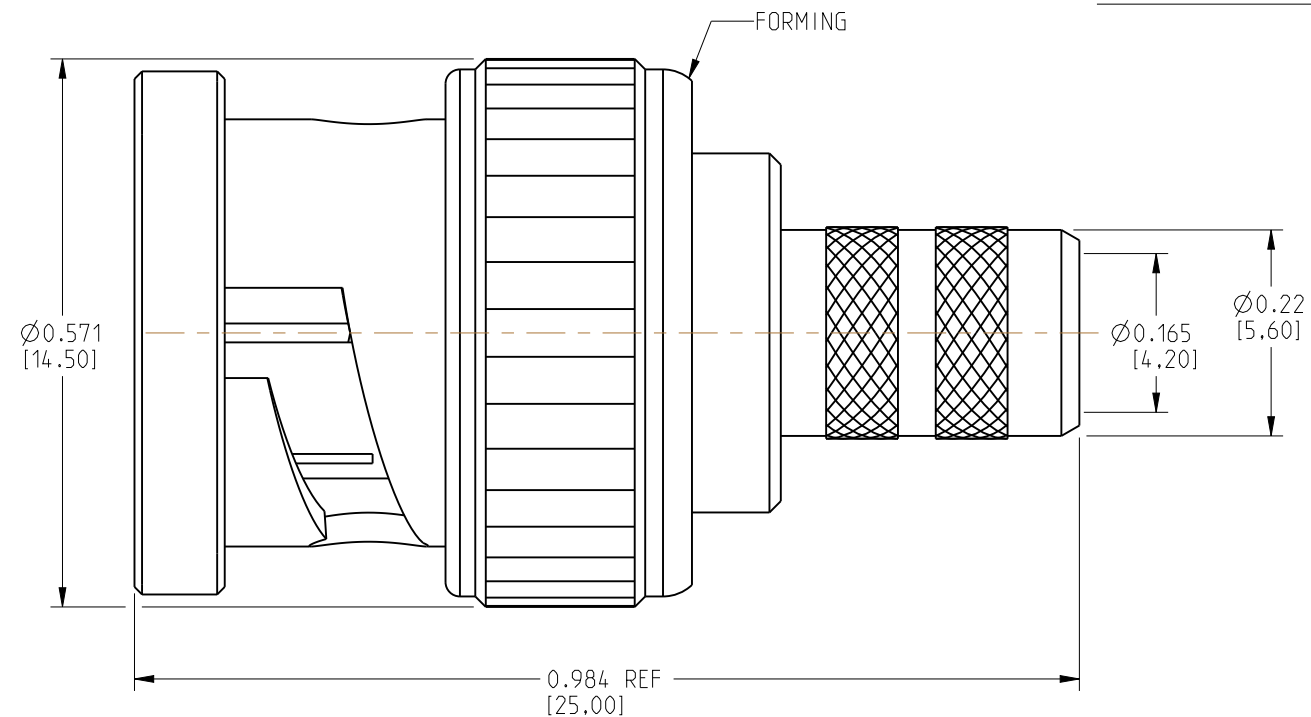
1. IMPEDANCE: 75 OHM
2. FREQUENCY RANGE: DC-6 GHz
3. VSWR: 1.1 MAX.
4. DIELECTRIC WITHSTANDING VOLTAGE: 1500 VRMS, MIN.
5. CRIMPED FERRULE
HEX CRIMP SIZE: 0.255"
6. CRIMPED CONTACT PIN
HEX. CRIMP SIZE: 0.041" OR 0.042"



| | | | | | |
|-------------------|-----|---|-----------|-------|------|
| 112951-11 | | REVISIONS | | | |
| DRAWING NO. | REV | DESCRIPTION | DATE | ECO | APPR |
| THIRD ANGLE PROJ. | NC | INITIAL RELEASE | 12-Dec-11 | XXX | -- |
| | A | MODIFY OUTER CONTACT TO IMPROVE PERFORMANCE | 09-Aug-12 | 2355 | RV |
| | B | ADD GEPCO CABLE CALLOUT | 21-Sep-12 | 2377 | RV |
| | C | ADD CONTACT PIN CRIMP OPTION | 25-Apr-13 | 2468 | MB |
| | D | FREQUENCY DC-6 GHz WAS DC-3 GHz | 1/22/16 | 50654 | CL |



SCALE 1.500



| | | | | |
|-----|---------------|------------------|---------|-----|
| 10 | FERRULE | BRASS | NICKEL | 1 |
| 9 | CONTACT PIN | BRASS | GOLD | 1 |
| 8 | RING | BRASS | NICKEL | 1 |
| 7 | WASHER | BRASS | NICKEL | 1 |
| 6 | SPRING | SK5 | NICKEL | 1 |
| 5 | GASKET | RUBBER | RED | 1 |
| 4 | OUTER CONTACT | BERYLLIUM COPPER | NICKEL | 1 |
| 3 | INSULATOR | PTFE | NATURAL | 1 |
| 2 | BODY | BRASS | NICKEL | 1 |
| 1 | SHELL | BRASS | NICKEL | 1 |
| NO. | DESCRIPTION | MATERIAL | FINISH | QTY |

| | | | | | | | |
|---|--|---------------------------|---------------------------|-------------------|--|--------------------|--------------|
| UNLESS OTHERWISE SPECIFIED, DIMENSIONS ARE IN INCHES AND TOLERANCES ARE: 2 PLACE DECIMAL ±.015 (0,381 mm) 3 PLACE DECIMAL ±.005 (0,127 mm) ANGLES ± 1° | | MATERIAL SEE BOM TABLE | DRAWN RAJAVIJAYAN S | DATE 25-Apr-13 | TITLE BNC CRIMP PLUG - 75 OHM FOR BELDEN 1505A AND GEPCO VPM200 CABLE | Amphenol Connex | |
| NOTICE - These drawings, specifications, or other data (1) are, and remain the property of Amphenol Corp. (2) must be returned upon request; and (3) are confidential and not to be disclosed to any person other than those to whom they are given by Amphenol Corp. The furnishing of these drawings, specifications, or other data by Amphenol Corp., or to any other person to anyone for any purpose is not to be regarded by implication or otherwise in any manner licensing, granting rights or permitting such holder or any other person to manufacture, use or sell any product, process or design, patented or otherwise, that may in any way be related to or disclosed by said drawings, specifications, or other data. | | REFERENCE | ENGINEER RAJAVIJAYAN S | DATE 25-Apr-13 | | | |
| | | | | | APPROVED | DATE | SCALE: 5.0:1 |
| CAD FILE | | | | DWG SIZE B | DRAWING NO. 112951-11 | REV D | |

X-ON Electronics

Largest Supplier of Electrical and Electronic Components

Click to view similar products for [RF Connectors / Coaxial Connectors](#) category:

Click to view products by [Amphenol](#) manufacturer:

Other Similar products are found below :

[8915-1511-000](#) [89674-0827](#) [6001-7071-019](#) [6002-7051-003](#) [6002-7551-202](#) [6059674-1](#) [619550-1](#) [630059-000](#) [M39030/3-01N](#) [M3933/25-36N](#) [6500-7071-046](#) [6769](#) [CX050L2AQ](#) [7002-1542-011](#) [7004-1512-000](#) [7009-1511-004](#) [7010-1511-000](#) [7029-1511-060](#) [7101-1541-010](#) [7101-1571-002](#) [7105-1521-002](#) [7145-1521-002](#) [7203-1571-003](#) [7209-1511-011](#) [7210-1511-015](#) [7210-1511-019](#) [73137-5015](#) [73216-2241](#) [7325-1512-000](#) [73404-2300](#) [7405-1521-005](#) [7405-1521-802](#) [7406-1521-005](#) [8527](#) [8547](#) [FS11V](#) [8808-1511-001](#) [9049-9513-000](#) [9074-9513-000](#) [9101-9573-002](#) [910A205F](#) [9130-9573-002](#) [PL11SC-026](#) [PL375-33](#) [PL40-5](#) [PL71-9](#) [PL74C-221](#) [PL75MC-217](#) [PL803-7](#) [980-8666-005](#)