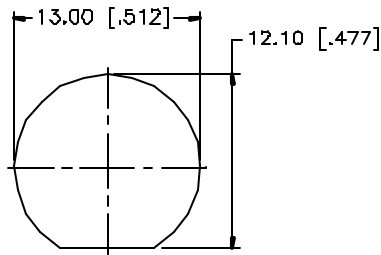
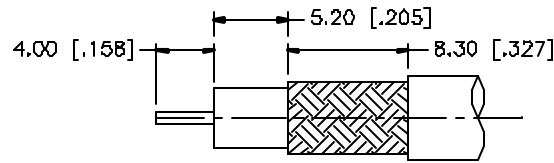


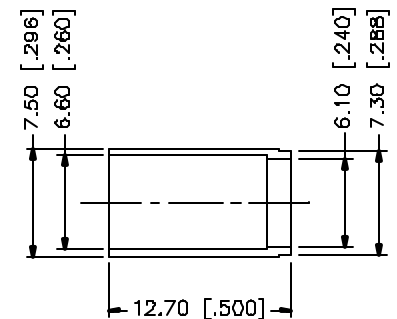
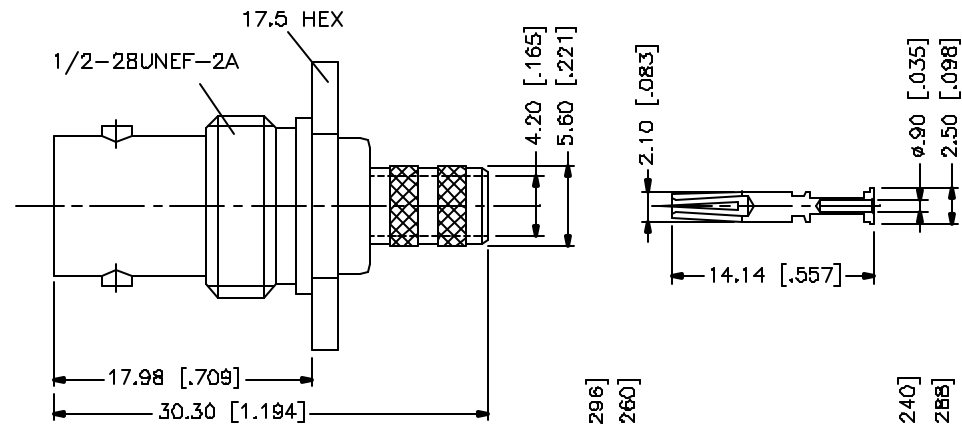
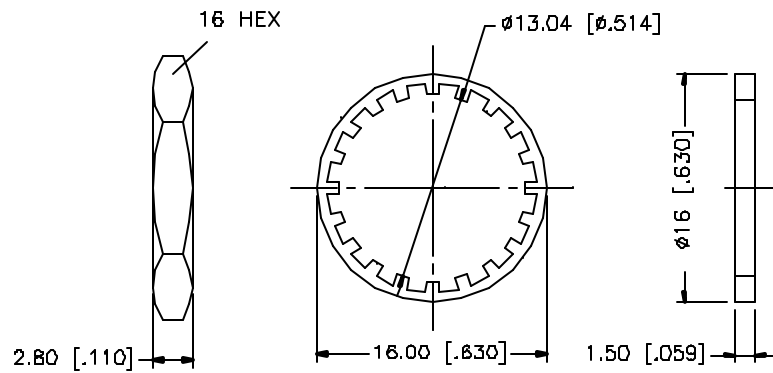
REV.	DATE	DESCRIPTION
A	03/18/05	UPDATE DRAWING FORMAT



RECOMMENDED MOUNTING HOLE



RECOMMENDED CABLE STRIPPING DIM'S



NOTES: FINISH (PLATING THICKNESS IN MICRO-INCHES)

1. NICKEL PL. 100 MIN. OVER COPPER PL. 50 MIN. OVER COPPER PL. 50 MIN.
2. GOLD PL. 30 MIN. OVER NICKEL PL. 50 MIN.
3. TEFLON MIL-P-19468.

				UNLESS OTHERWISE SPECIFIED DIMENSIONS ARE IN MILLIMETERS. DIMENSIONS IN [ ] ARE IN INCHES AND FOR CUSTOMER REFERENCE ONLY.	APPROVALS	DATE	<b>Amphenol Connex</b>	
8								PART DESCRIPTION <b>BNC BULKHEAD CRIMP JACK (FOR AT&amp;T 734A CABLE - 75ohm)</b>
7	FERRULE	COPPER	NICKEL	1	DRAWN G.R.S.	03/18/05		
6	HEX NUT	BRASS	NICKEL	1	CHECKED		PART NO. <b>112970</b>	
5	LOCK WASHER	BRASS	NICKEL	1	ISSUED			
4	GASKET	SILICONE	RED	1	SHEET 1 OF 1		DWG. NO. 112970.DWG	
3	CONTACT PIN	PHOS. BRONZE	GOLD	1				
2	INSULATOR	TEFLON	NATURAL	1			REV. A	
1	BODY	BRASS	NICKEL	1				
DESCRIPTION MATERIAL FINISH QTY				UNLESS OTHERWISE SPECIFIED DIMENSIONS ARE IN MILLIMETERS. DIMENSIONS IN [ ] ARE IN INCHES AND FOR CUSTOMER REFERENCE ONLY.	DO NOT SCALE DRAWING		SIZE A	SCALE NA

UNLESS OTHERWISE SPECIFIED DIMENSIONS ARE IN MILLIMETERS. DIMENSIONS IN [ ] ARE IN INCHES AND FOR CUSTOMER REFERENCE ONLY.

UNLESS OTHERWISE SPECIFIED TOLERANCES FOR MILLIMETERS ARE:  
 0.5 - 30mm ± 0.20mm  
 30 - 120mm ± 0.40mm  
 120 - 150mm ± 0.50mm

UNLESS OTHERWISE SPECIFIED TOLERANCES FOR INCHES ARE:  
 .020 - .315 = ± 0.007"  
 .315 - 1.180 = ± 0.015"  
 1.180 - 4.724 = ± 0.020"

**Amphenol Connex**

**BNC BULKHEAD CRIMP JACK  
(FOR AT&T 734A CABLE - 75ohm)**

**112970**

DO NOT SCALE DRAWING C:/112/112970.DWG DWG. NO. 112970.DWG REV. A SIZE A SCALE NA

## X-ON Electronics

Largest Supplier of Electrical and Electronic Components

*Click to view similar products for [RF Connectors / Coaxial Connectors](#) category:*

*Click to view products by [Amphenol](#) manufacturer:*

Other Similar products are found below :

[8915-1511-000](#) [89674-0827](#) [6001-7071-019](#) [6002-7051-003](#) [6002-7551-202](#) [6059674-1](#) [619550-1](#) [630059-000](#) [M39030/3-01N](#) [M3933/25-36N](#) [6500-7071-046](#) [6769](#) [CX050L2AQ](#) [7002-1542-011](#) [7004-1512-000](#) [7009-1511-004](#) [7010-1511-000](#) [7029-1511-060](#) [7101-1541-010](#) [7101-1571-002](#) [7105-1521-002](#) [7145-1521-002](#) [7203-1571-003](#) [7209-1511-011](#) [7210-1511-015](#) [7210-1511-019](#) [73137-5015](#) [73216-2241](#) [7325-1512-000](#) [73404-2300](#) [7405-1521-005](#) [7405-1521-802](#) [7406-1521-005](#) [8527](#) [8547](#) [FS11V](#) [8808-1511-001](#) [9049-9513-000](#) [9074-9513-000](#) [9101-9573-002](#) [910A205F](#) [9130-9573-002](#) [PL11SC-026](#) [PL375-33](#) [PL40-5](#) [PL71-9](#) [PL74C-221](#) [PL75MC-217](#) [PL803-7](#) [980-8666-005](#)