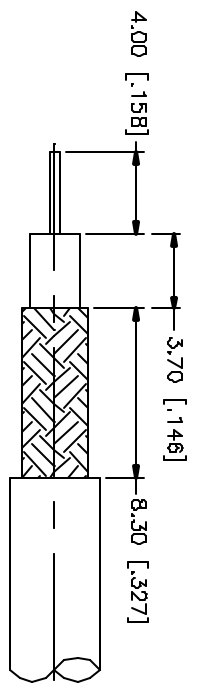
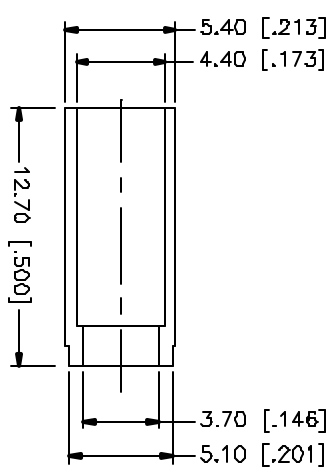
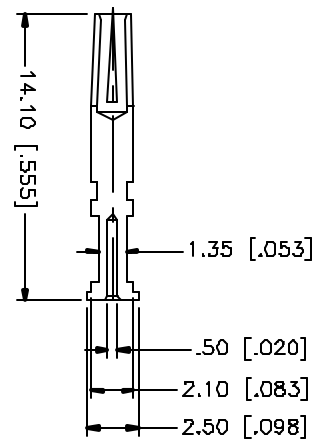
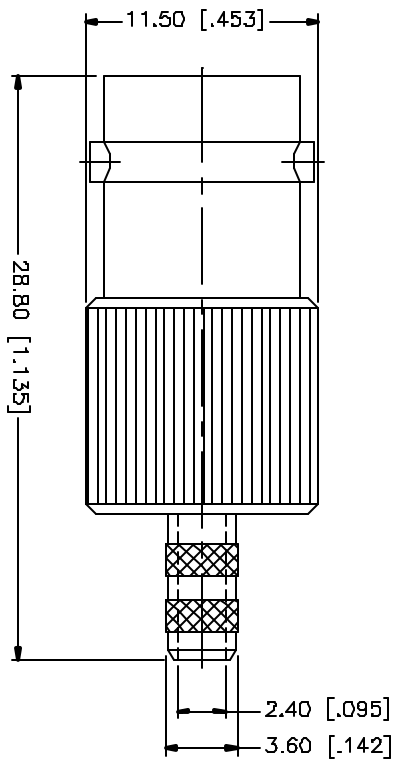


REV.	DATE	DESCRIPTION
A	03/18/05	UPDATE DRAWING FORMAT



RECOMMENDED
CABLE STRIPPING DIM'S



QTY	FINISH	MATERIAL	DESCRIPTION
1	NICKEL	COOPER	FERRULE
1	GOLD	PHOS. BRONZE	CONTACT FIN
1	NATURAL	TEFLON	INSULATOR
1	NICKEL	BRASS	BODY

APPROVALS	DATE
DRAWN G.R.S.	03/18/05
CHECKED	
ISSUED	
SHEET 1 OF 1	

UNITED STATES GOVERNMENT SPECIFICATIONS	UNITED STATES GOVERNMENT SPECIFICATIONS
UNLESS OTHERWISE SPECIFIED, MATERIALS ARE TO BE OF THE HIGHEST QUALITY AVAILABLE AND THE DRAWER THEREOF SHALL BE RESPONSIBLE FOR OBTAINING THE SAME.	UNLESS OTHERWISE SPECIFIED, MATERIALS ARE TO BE OF THE HIGHEST QUALITY AVAILABLE AND THE DRAWER THEREOF SHALL BE RESPONSIBLE FOR OBTAINING THE SAME.
TOLERANCES FOR DIMENSIONS ARE:	TOLERANCES FOR DIMENSIONS ARE:
ØS - 30mm ± 0.20mm	ØS - 30mm ± 0.40mm
Ø - 30mm ± 0.40mm	Ø - 30mm ± 0.40mm
3D - 120mm ± 0.50mm	3D - 120mm ± 0.50mm
UNLESS OTHERWISE SPECIFIED, TOLERANCES FOR ANGLES ARE:	UNLESS OTHERWISE SPECIFIED, TOLERANCES FOR ANGLES ARE:
.020° - .315° ± 0.007°	.020° - .315° ± 0.015°
.315° - 1.180° ± 0.015°	.315° - 1.180° ± 0.015°
1.180° - 4.724° ± 0.020°	1.180° - 4.724° ± 0.020°

APPROVALS	DATE
DRAWN G.R.S.	03/18/05
CHECKED	
ISSUED	
SHEET 1 OF 1	

PART DESCRIPTION	PART NO.
BNC CRIMP JACK (FOR AT&T 735A - 75ohm)	112974

DWG. NO.	REV.	SIZE	SCALE
112974.DWG	A	A	NA

Amphenol Connex

BNC CRIMP JACK
(FOR AT&T 735A - 75ohm)

CAD FILE C:/112/112974.DWG

X-ON Electronics

Largest Supplier of Electrical and Electronic Components

Click to view similar products for [RF Connectors / Coaxial Connectors](#) category:

Click to view products by [Amphenol](#) manufacturer:

Other Similar products are found below :

[8915-1511-000](#) [89674-0827](#) [6001-7071-019](#) [6002-7051-003](#) [6002-7551-202](#) [6059674-1](#) [619550-1](#) [630059-000](#) [M39030/3-01N](#) [6500-7071-046](#) [6769](#) [CX050L2AQ](#) [7002-1542-011](#) [7004-1512-000](#) [7009-1511-004](#) [7010-1511-000](#) [7029-1511-060](#) [7101-1541-010](#) [7101-1571-002](#) [7105-1521-002](#) [7145-1521-002](#) [7203-1571-003](#) [7209-1511-011](#) [7210-1511-015](#) [7210-1511-019](#) [73137-5015](#) [73216-2241](#) [7325-1512-000](#) [73404-2300](#) [7405-1521-005](#) [7405-1521-802](#) [7406-1521-005](#) [8527](#) [8547](#) [FS11V](#) [8808-1511-001](#) [9049-9513-000](#) [9074-9513-000](#) [9101-9573-002](#) [910A205F](#) [9130-9573-002](#) [PL11SC-026](#) [PL375-33](#) [PL40-5](#) [PL71-9](#) [PL74C-221](#) [PL75MC-217](#) [PL803-7](#) [980-8666-005](#) [1200690078](#)