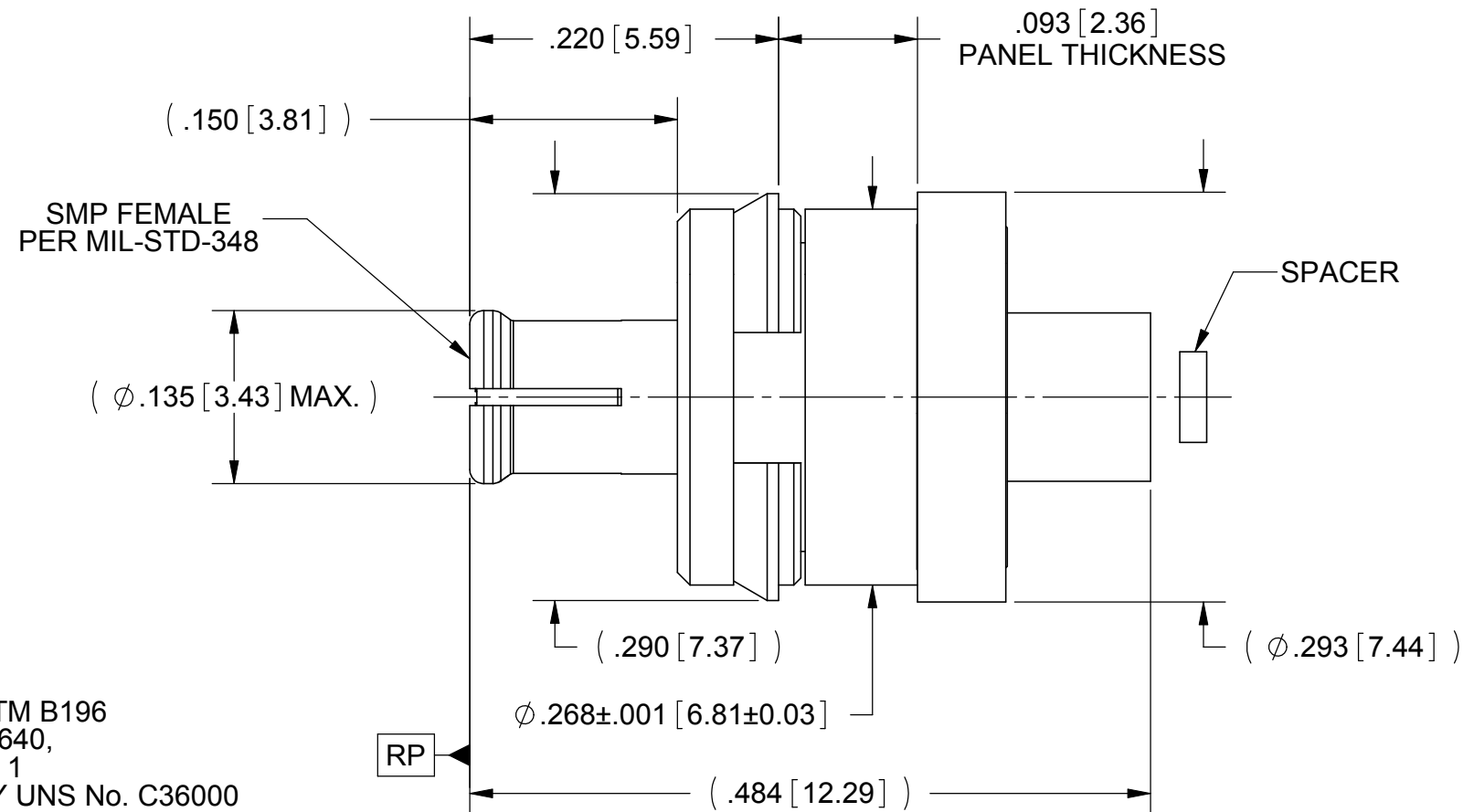
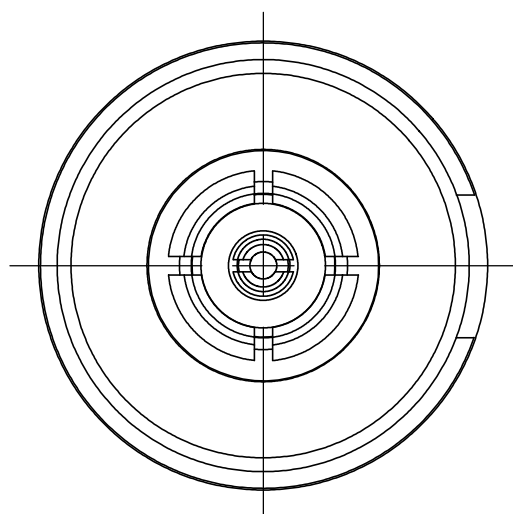


PRODUCT DATA DRAWING

REVISION HISTORY			
REV	DESCRIPTION	DATE	APPROVED
-	REL. NRN 34431	11/29/07	STW
A	DCN 37782	09/10	PJS



MATERIALS:

BODIES, CONTACT & SPRING CLIP: SLEEVE, & INSERT:

BERYLLIUM COPPER PER ASTM B196
STAINLESS STEEL PER AMS 5640,
ALLOY No. UNS S30300, TYPE 1

BUSHING: SPRING: INSULATOR: DIELECTRIC SPACER:

BRASS PER ASTM B16, ALLOY UNS No. C36000
STAINLESS STEEL PER ASTM A313
PTFE PER ASTM D1710
TORLON 4203

FINISHES:

BODIES, CONTACT & SPRING CLIP:

GOLD PER ASTM B488, TYPE II
GRADE C, CLASS 1.27, OVER NICKEL
PER AMS-QQ-N-290, CLASS 1

BUSHING: SLEEVE, INSERT & SPRING:

PASSIVATED PER AMS 2700

ELECTRICAL:

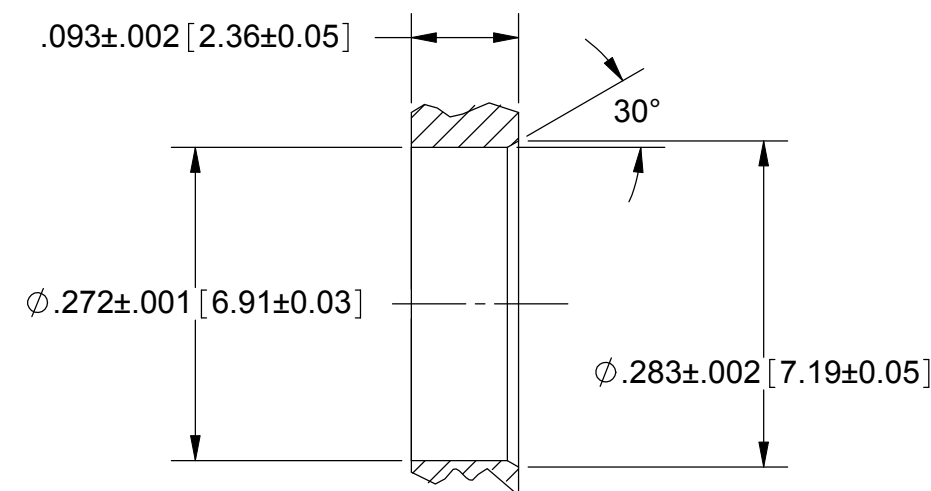
IMPEDANCE: 50 OHMS
FREQ. RANGE: DC TO 18.0 GHZ
VSWR: 1.20 MAX.
INSERTION LOSS: 0.25 dB MAX.
D.W.V.: 500 VRMS
INSULATION RES.: 5,000 MEGOHMS MINIMUM

FLOAT:

AXIAL FLOAT: .040 INCH
RADIAL FLOAT: .020 INCH

SPRING FORCE:

SPRING RATE: 39 LBS/INCH NOM.
PRE-LOAD: 0.81 LBS NOM.
.035" COMPRESSION: 2.15 LBS NOM.
.125" COMPRESSION: 5.6 LBS NOM.



RECOMMENDED MOUNTING HOLE

MATERIAL: SEE NOTES	DIMENSIONS ARE IN INCHES TOLERANCES: FRACTIONAL: ±1/64 ANGULAR: X° ±1°0' X'X' ±15'	UNLESS OTHERWISE SPECIFIED 1) ALL DIMENSIONS ARE IN INCHES (MILLIMETERS) 2) ALL DIMENSIONS ARE AFTER PLATING 3) BREAK CORNERS & EDGES .005 R. MAX. 4) CHAM. 1ST & LAST THREADS. 5) SURFACE ROUGHNESS 63-MIL-STD-10. 6) DIA. 'S ON COMMON CENTERS TO BE CONCENTRIC WITHIN .005 T.I.R. 7) REMOVE ALL BURRS	SV Microwave, Inc. 2400 Centrepark West Drive, Suite 100 West Palm Beach, FL 33409
FINISH: SEE NOTES	DECIMAL: X ±.030 .XX ±.010 .XXX ±.005	INTERPRET DIMENSIONS AND TOLERANCES PER ASME Y14.5M - 1994	TITLE: SMP FEMALE, FLOAT MOUNT T-FLEX 405, .093" PANEL THK.
SURFACE AREA: N/A	THIRD ANGLE PROJECTION	DRAWN: JMC 12/03/07 CHECKED: STW 12/04/07 APPROVED: STW 12/04/07	SIZE: B CAGE CODE: 95077 DWG. NO. 1204-6000
PROPRIETARY THE INFORMATION CONTAINED IN THIS DRAWING IS THE SOLE PROPERTY OF SV MICROWAVE, INC. ANY REPRODUCTION IN PART OR AS A WHOLE WITHOUT THE WRITTEN PERMISSION OF SV MICROWAVE, INC IS PROHIBITED.		SCALE: 8:1	SHEET 1 OF 1

X-ON Electronics

Largest Supplier of Electrical and Electronic Components

Click to view similar products for [RF Connectors / Coaxial Connectors](#) category:

Click to view products by [Amphenol](#) manufacturer:

Other Similar products are found below :

[8915-1511-000](#) [89674-0827](#) [6001-7071-019](#) [6002-7051-003](#) [6002-7551-202](#) [6059674-1](#) [619550-1](#) [630059-000](#) [M39030/3-01N](#) [M3933/25-36N](#) [6500-7071-046](#) [6769](#) [CX050L2AQ](#) [7002-1542-011](#) [7004-1512-000](#) [7009-1511-004](#) [7010-1511-000](#) [7029-1511-060](#) [7101-1541-010](#) [7101-1571-002](#) [7105-1521-002](#) [7145-1521-002](#) [7203-1571-003](#) [7209-1511-011](#) [7210-1511-015](#) [7210-1511-019](#) [73137-5015](#) [73216-2241](#) [7325-1512-000](#) [73404-2300](#) [7405-1521-005](#) [7405-1521-802](#) [7406-1521-005](#) [8527](#) [8547](#) [FS11V](#) [8808-1511-001](#) [9049-9513-000](#) [9074-9513-000](#) [9101-9573-002](#) [910A205F](#) [9130-9573-002](#) [PL11SC-026](#) [PL375-33](#) [PL40-5](#) [PL71-9](#) [PL74C-221](#) [PL75MC-217](#) [PL803-7](#) [980-8666-005](#)