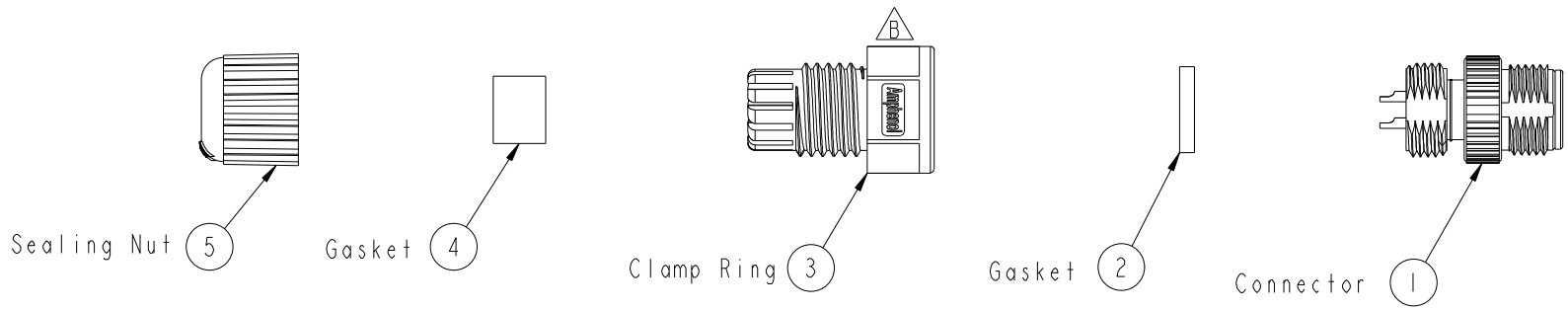
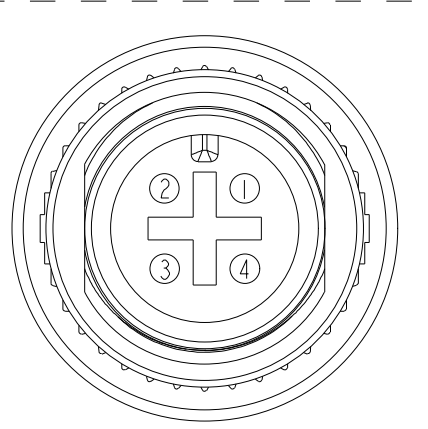


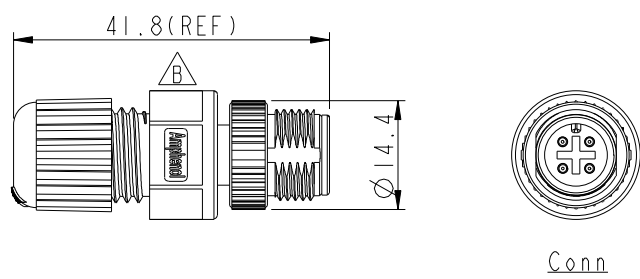
REV.	ECN NO.	DATE	SIGN	DESCRIPTION
B	LEN1450091	2014/05/08	Jinhai	Change LOGO To Amphenol



ALTW
CONFIDENTIAL
 2014-05-08
R&D DEPT.



Pin Assignments
Front View



- Note:
- * \varnothing Important Dimension To Check.
 - * Waterproof Rate: IP68
 - * Housing: Black, Nylon+GF
 - * Pin: Copper Alloy, Gold Plated
 - * Nut: Zinc Alloy, Nickel Plated
 - * Gasket: Black, EPDM
 - * Clamp Ring: Black, Nylon
 - * Sealing Nut: Black, Nylon
 - * Seal: Black, EPDM
 - * Seal For Cable OD: \varnothing 4.5mm- \varnothing 6.5mm

UNIT:mm TOLERANCE ± 0.5	TITLE M12 Conn Assy Screw 4Pin M Conn M Pin			Amphenol LTW 安費諾亮泰企業股份有限公司	ITEM NO 12-04BMMA-SL8001	DRAWN BY Jinhai	DATE 2014-05-08
	SCALE 1:1	SIZE A4	SHEET 1 OF 1		DWG NO 12-04BMMA-SL8001	CHECKED BY Di-Lu	DATE 2014-05-08
	REV. B	WC-REV. A.3	QC: Inspection item		CUSTOMER ALTW	APPROVED BY Jerry	DATE 2014-05-08
					8 FMM10702-01-02A1		

THIS DOCUMENT IS SUBJECT TO CHANGE WITHOUT NOTICE. IT IS CONFIDENTIAL AND A PROPERTY OF Amphenol LTW. DISCLOSURE TO THIRD PARTY HAS TO BE AUTHORIZED BY Amphenol LTW.

X-ON Electronics

Largest Supplier of Electrical and Electronic Components

Click to view similar products for [Circular Metric Connectors](#) category:

Click to view products by [Amphenol](#) manufacturer:

Other Similar products are found below :

[600X518037X](#) [6STD15PCR99B70A](#) [8R4000A16M020](#) [8R5000A16M005](#) [1200910002](#) [1203580030](#) [1200910008](#) [1200910011](#) [1300140094](#)
[130203-0054](#) [1300140026](#) [1300150099](#) [1-3637-600-5205](#) [1612618](#) [21036836414](#) [8R4006A16M010](#) [1R3006A20M005](#) [41-40011](#) [42-00006](#)
[42-01015](#) [4-22279-4](#) [4-22281-1](#) [4-22284-9](#) [43-00113](#) [43-01203](#) [41-40013](#) [42-00008](#) [43-00343](#) [43-01026](#) [43-01162](#) [43-01173](#) [43-10000](#)
[XS3P-M421-2](#) [600X518050X](#) [8R5006A16M020](#) [8R5006A16M005](#) [8R4000A16M010](#) [6-22279-3](#) [1605332](#) [N03FA03144](#) [1300140077](#) [43-](#)
[16213](#) [43-01338](#) [XS2RD4265](#) [XS2R-D426-1](#) [XS8A-0441](#) [859RD04-103R004](#) [860RD04-113R004](#) [860RD04-213R004](#) [1-213245-2](#)