

NOTES:

1. MATERIALS AND FINISHES:

- FERRULE - BRASS, NICKEL PLATING
- RETAINER RING - BRASS, NICKEL PLATING
- CONTACT PIN - PHOSPHOR BRONZE, GOLD PLATING
- BODY - BRASS, NICKEL PLATING
- INSULATOR - PTFE, NATURAL
- RING - DELRIN, NATURAL
- GASKET - SILICONE RUBBER, RED
- COUPLING NUT - BRASS, NICKEL PLATING

2. ELECTRICAL:

- A. IMPEDANCE: 50 OHM, NOMINAL
- B. FREQUENCY RANGE: DC TO 11 GHz
- C. D.W.V: 1500 VRMS, MIN.

3. MECHANICAL:

- A. DURABILITY: 500 CYCLES MIN.
- B. TEMPERATURE RANGE: -40°C TO +85°C

4. CRIMPED FERRULE HEX. CRIMP SIZE .213"

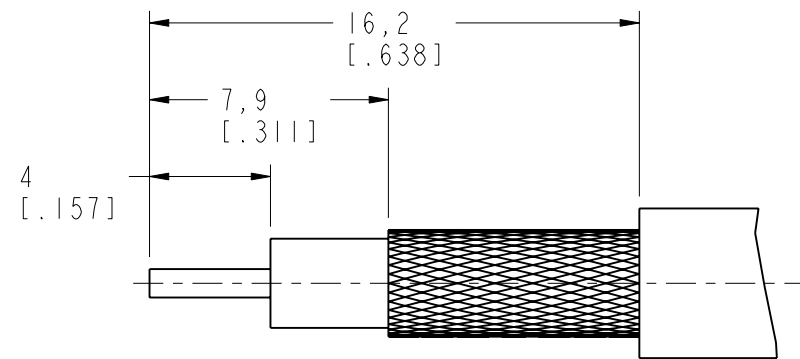
5. CRIMPED CONTACT PIN HEX. CRIMP SIZE .068" OR SOLDER

6. SHOWS CABLE ENTRY DIMENSIONS.

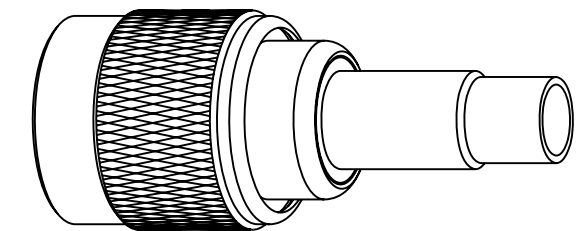
THIRD ANGLE PROJ.

REVISIONS

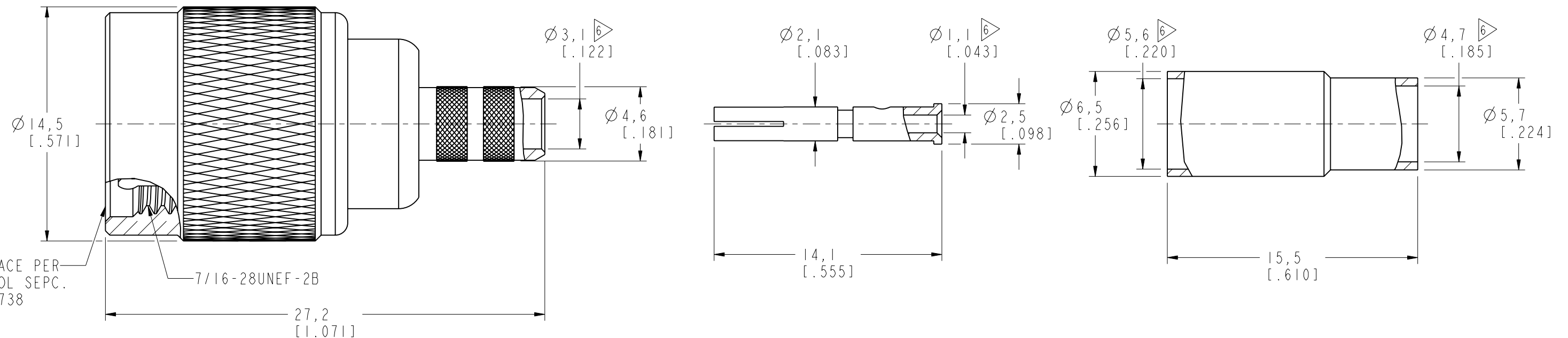
REV	DESCRIPTION	DATE	ECO	APPR
NC	INITIAL RELEASE	30-Apr-00	-----	GRS
A	SYNC, REDRAWN IN THE PRO/E/N/A	30-Jun-17	04183	MZ



RECOMMENDED  
CABLE STRIPPING DIM'S



SCALE 2.000



INTERFACE PER  
AMPHENOL SEPC.  
349-50738

7/16-28UNEF-2B

**CUSTOMER OUTLINE DRAWING**

ALL OTHER SHEETS ARE FOR INTERNAL USE ONLY

<p>UNLESS OTHERWISE SPECIFIED, DIMENSIONS ARE IN METRIC AND TOLERANCES ARE:                  &lt;0.5mm ±0.05mm    0.5 - 6mm ±0.1mm    6 - 30mm ±0.2mm    30 - 120mm ±0.3mm    ANGLES ±1°</p> <p>NOTICE - These drawings, specifications, or other data (1) are, and remain the property of Amphenol corp. (2) must be returned upon request; and (3) are confidential and not to be disclosed to any person other than those to whom they are given by Amphenol Corp. the furnishing of these drawings, specifications, or other data by Amphenol Corp., or to any other person to anyone for any purpose is not to be regarded by implication or otherwise in any manner licensing, granting rights to permitting such holder or any other person to manufacture, use or sell any product, process or design, patented or otherwise, that may in any way be related to or disclosed by said drawings, specifications, or other data.</p>	MATERIAL	DRAWN	DATE	<p>TITLE TNC REVERSE POLARITY CRIMP PLUG (FOR RG-58 PLENUM CABLE)</p>	<p>Amphenol RF www.amphenolrf.com</p>
	SEE NOTES	M. ZHANG	30-Jun-17		
<p>REFERENCE</p> <p>CONFIGURATION LEVEL: In Work</p> <p>FINISH</p>		ENGINEER	DATE	<p>SCALE: 4.0:1.0   SHEET 2 OF 2</p>	<p>DRAWING NO. RT1121CI-001-NT3G-50</p>
		S. DUAN	30-Jun-17		
		APPROVED	DATE	DWG SIZE	REV
	S. HSIEH	30-Jun-17	B	A	PART NO. 122112RP

## X-ON Electronics

Largest Supplier of Electrical and Electronic Components

*Click to view similar products for [RF Connectors / Coaxial Connectors](#) category:*

*Click to view products by [Amphenol](#) manufacturer:*

Other Similar products are found below :

[8915-1511-000](#) [89674-0827](#) [6001-7071-019](#) [6002-7051-003](#) [6002-7551-202](#) [6059674-1](#) [619550-1](#) [630059-000](#) [M39030/3-01N](#) [M3933/25-36N](#) [6500-7071-046](#) [6769](#) [CX050L2AQ](#) [7002-1542-011](#) [7004-1512-000](#) [7009-1511-004](#) [7010-1511-000](#) [7029-1511-060](#) [7101-1541-010](#) [7101-1571-002](#) [7105-1521-002](#) [7145-1521-002](#) [7203-1571-003](#) [7209-1511-011](#) [7210-1511-015](#) [7210-1511-019](#) [73137-5015](#) [73216-2241](#) [7325-1512-000](#) [73404-2300](#) [7405-1521-005](#) [7405-1521-802](#) [7406-1521-005](#) [8527](#) [8547](#) [FS11V](#) [8808-1511-001](#) [9049-9513-000](#) [9074-9513-000](#) [9101-9573-002](#) [910A205F](#) [9130-9573-002](#) [PL11SC-026](#) [PL375-33](#) [PL40-5](#) [PL71-9](#) [PL74C-221](#) [PL75MC-217](#) [PL803-7](#) [980-8666-005](#)