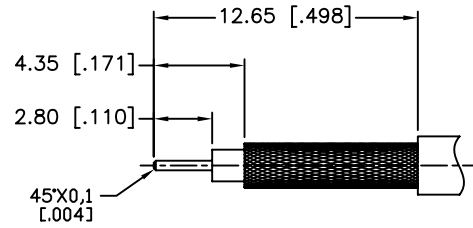
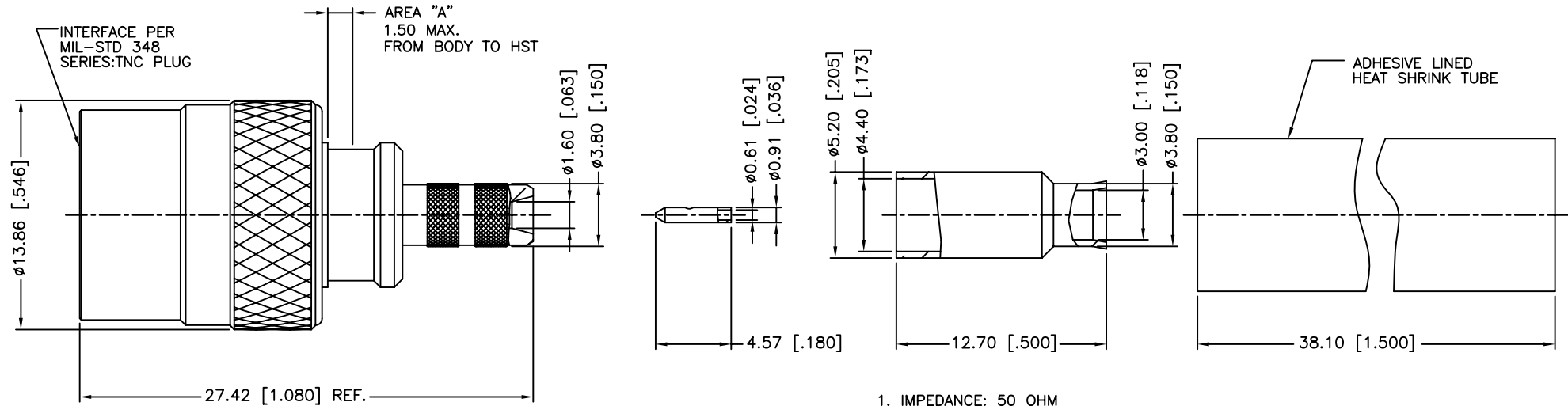


REV.	DATE	ECR NO.	DESCRIPTION
NC	12/12/12	XXXXXX	INITIAL RELEASE



RECOMMENDED  
CABLE STRIPPING DIM'S



1. IMPEDANCE: 50 OHM
2. FREQUENCY RANGE: DC - 6 GHz
3. VSWR: 1.30 MAX. @ 0-3 GHz
4. DIELECTRIC WITHSTANDING VOLTAGE: 500 VRMS, MIN.
5. DURABILITY: 500 CYCLES MIN.
6. TEMPERATURE RANGE: -40°C TO +85°C
7. IP-67 COMPLIANT
8. CRIMPED FERRULE  
HEX CRIMP SIZE .178"
9. CONTACT PIN CAN BE SOLDERED  
OR USE 4-WAY INDENT TOOL #47001
10. INSULATOR RETENTION FORCE: 6 LBS MIN. TOWARDS INTERFACE DIRECTION
11. HEAT SHRINK TUBING SHOULD FULLY (360 DEG) COVER THE BUMP ON BODY AND END WITHIN AREA "A"
12. RECOMMENDED COUPLING TORQUE : 4-6 IN-LBS.  
A QUANTIFIED TORQUE MEASUREMENT TOOL IS RECOMMENDED.

QTY	DESCRIPTION	MATERIAL	FINISH
1	SHRINK TUBE	BLACK	POLYOLEFIN
9	FERRULE	BRASS	NICKEL
8	CONTACT PIN	BRASS	GOLD
7	CONTACT	BERYLLIUM COPPER	GOLD
6	RETAINER RING	PHOSPHOR BRONZE	NICKEL
5	GASKET	SILICONE RUBBER	RED
4	O-RING	SILICONE RUBBER	RED
3	COUPLING NUT	BRASS	NICKEL
2	INSULATOR	PTFE	NATURAL
1	BODY	BRASS	NICKEL

UNLESS OTHERWISE SPECIFIED DIMENSIONS ARE IN MILLIMETERS. DIMENSIONS IN [ ] ARE IN INCHES AND FOR CUSTOMER REFERENCE ONLY.

UNLESS OTHERWISE SPECIFIED TOLERANCES FOR MILLIMETERS ARE:  
0.5 - 8mm ± 0.20mm  
8 - 30mm ± 0.40mm  
30 - 120mm ± 0.50mm

UNLESS OTHERWISE SPECIFIED TOLERANCES FOR INCHES ARE:  
.020 - .315 = ± 0.007"  
.315 - 1.180 = ± 0.015"  
1.180 - 4.724 = ± 0.020"

DO NOT SCALE DRAWING

APPROVALS	DATE
DRAWN M.ZHANG	12/12/12
CHECKED	
ISSUED	
SHEET 1 OF 1	
CAD FILE C:/CONNEX/122116-15.DWG	

<b>Amphenol Connex</b>			
PART DESCRIPTION <b>TNC CRIMP PLUG, IP-67 COMPLIANT (FOR RG-174/U,188/U,316/U CABLE)</b>			
PART NO.		122116-15	
DWG. NO.	122116-15.DWG	REV.	NC
SIZE	A	SCALE	NA

## X-ON Electronics

Largest Supplier of Electrical and Electronic Components

*Click to view similar products for [RF Connectors / Coaxial Connectors](#) category:*

*Click to view products by [Amphenol](#) manufacturer:*

Other Similar products are found below :

[8915-1511-000](#) [89674-0827](#) [6001-7071-019](#) [6002-7051-003](#) [6002-7551-202](#) [6059674-1](#) [619550-1](#) [630059-000](#) [M39030/3-01N](#) [M3933/25-36N](#) [6500-7071-046](#) [6769](#) [CX050L2AQ](#) [7002-1542-011](#) [7004-1512-000](#) [7009-1511-004](#) [7010-1511-000](#) [7029-1511-060](#) [7101-1541-010](#) [7101-1571-002](#) [7105-1521-002](#) [7145-1521-002](#) [7203-1571-003](#) [7209-1511-011](#) [7210-1511-015](#) [7210-1511-019](#) [73137-5015](#) [73216-2241](#) [7325-1512-000](#) [73404-2300](#) [7405-1521-005](#) [7405-1521-802](#) [7406-1521-005](#) [8527](#) [8547](#) [FS11V](#) [8808-1511-001](#) [9049-9513-000](#) [9074-9513-000](#) [9101-9573-002](#) [910A205F](#) [9130-9573-002](#) [PL11SC-026](#) [PL375-33](#) [PL40-5](#) [PL71-9](#) [PL74C-221](#) [PL75MC-217](#) [PL803-7](#) [980-8666-005](#)