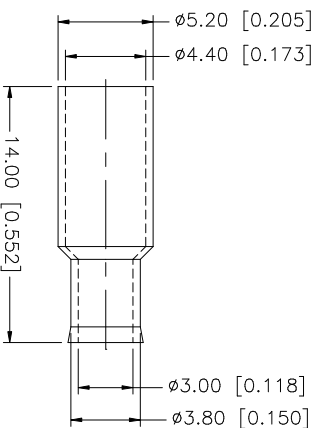
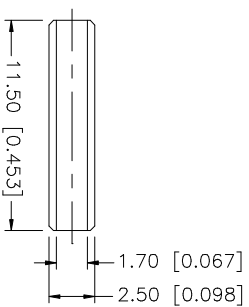
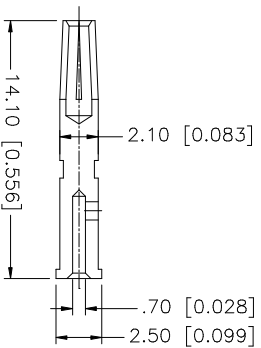
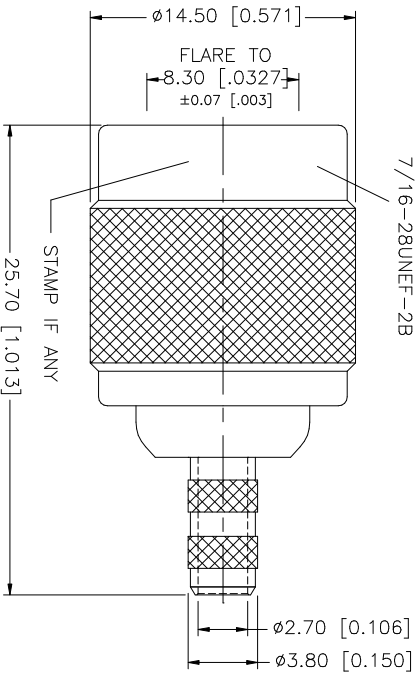
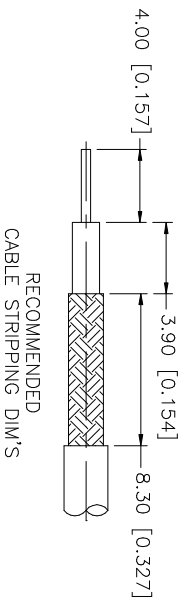


REV.	DATE	DESCRIPTION
A	02/24/03	UPDATE DRAWING FORMAT



**CRIMP NOTES:**

1. CRIMPED FERRULE  
HEX SIZE .178"
2. CRIMPED CONTACT PIN  
HEX CRIMP SIZE .068"

QTY	FINISH	MATERIAL	DESCRIPTION
1	NICKEL	BRASS	SHELL/BODY
1	GOLD	PHOS. BRONZE	CONTACT PIN
1	NATURAL	TEFLON	INSULATOR
1	NATURAL	DELIRIN	SLEEVE
1	NICKEL	COPPER	FERRULE

APPROVALS	DATE	PART DESCRIPTION
DRAWN G.R.S.	02/24/03	TNC REVERSE POLARITY CRIMP PLUG (FOR RG-174/U, 188/U, 316/U CABLE)
CHECKED		
ISSUED		
SHEET 1 OF 1		
		PART NO. 122116RP

UNLESS OTHERWISE SPECIFIED, DIMENSIONS ARE IN INCHES AND FOR CUSTOMER REFERENCE ONLY.	UNLESS OTHERWISE SPECIFIED, DIMENSIONS ARE IN MILLIMETERS.	UNLESS OTHERWISE SPECIFIED, DIMENSIONS ARE IN MILLIMETERS.
	0.5 - 8mm $\pm$ 0.20mm	
	8 - 30mm $\pm$ 0.40mm	
	30 - 120mm $\pm$ 0.50mm	
		UNLESS OTHERWISE SPECIFIED, DIMENSIONS ARE IN MILLIMETERS.
		.020 - .315 $\pm$ 0.007"
		.315 - 1.180 $\pm$ 0.015"
		1.180 - 4.724 $\pm$ 0.020"

DO NOT SCALE DRAWING	CAD FILE	DWG. NO.	REV.	SIZE	SCALE
	C:/122/122116RP.DWG	122116RP.DWG	A	A	NA

**Amphenol Connex**

## X-ON Electronics

Largest Supplier of Electrical and Electronic Components

*Click to view similar products for [RF Connectors / Coaxial Connectors](#) category:*

*Click to view products by [Amphenol](#) manufacturer:*

Other Similar products are found below :

[8915-1511-000](#) [89674-0827](#) [6001-7071-019](#) [6002-7051-003](#) [6002-7551-202](#) [6059674-1](#) [619550-1](#) [630059-000](#) [M39030/3-01N](#) [M3933/25-36N](#) [6500-7071-046](#) [6769](#) [CX050L2AQ](#) [7002-1542-011](#) [7004-1512-000](#) [7009-1511-004](#) [7010-1511-000](#) [7029-1511-060](#) [7101-1541-010](#) [7101-1571-002](#) [7105-1521-002](#) [7145-1521-002](#) [7203-1571-003](#) [7209-1511-011](#) [7210-1511-015](#) [7210-1511-019](#) [73137-5015](#) [73216-2241](#) [7325-1512-000](#) [73404-2300](#) [7405-1521-005](#) [7405-1521-802](#) [7406-1521-005](#) [8527](#) [8547](#) [FS11V](#) [8808-1511-001](#) [9049-9513-000](#) [9074-9513-000](#) [9101-9573-002](#) [910A205F](#) [9130-9573-002](#) [PL11SC-026](#) [PL375-33](#) [PL40-5](#) [PL71-9](#) [PL74C-221](#) [PL75MC-217](#) [PL803-7](#) [980-8666-005](#)