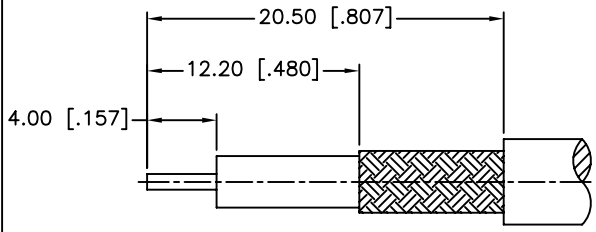
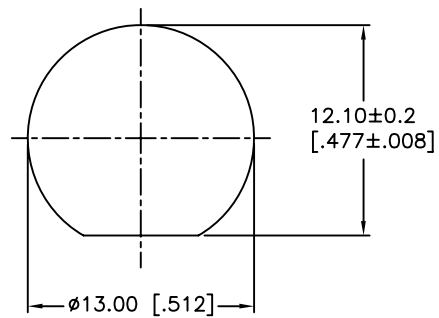


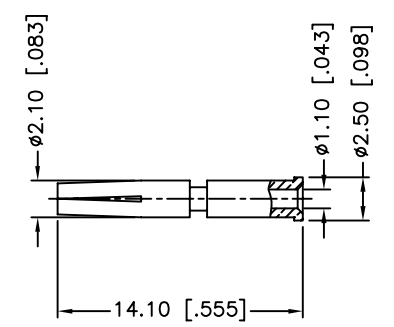
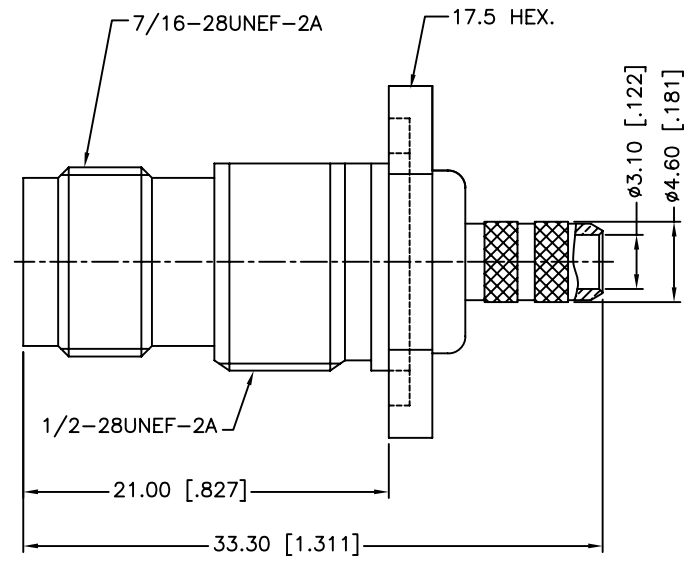
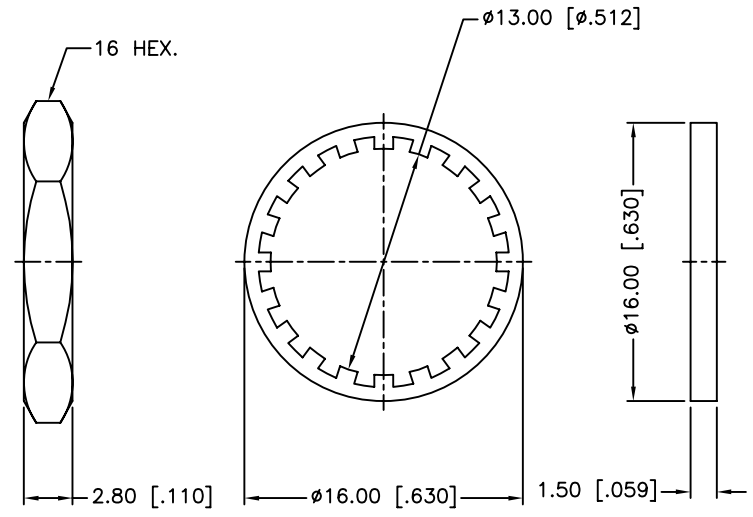
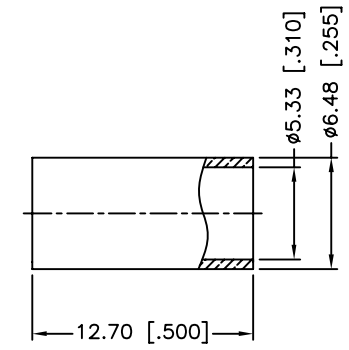
| REV. | DATE     | ECR NO. | DESCRIPTION     |
|------|----------|---------|-----------------|
| NC   | 07/24/10 | XXXXXX  | INITIAL RELEASE |



RECOMMENDED  
CABLE STRIPPING DIM'S



RECOMMENDED  
MOUNTING HOLE



1. CRIMPED FERRULE  
HEX CRIMP SIZE .213"
2. CRIMPED CONTACT PIN  
HEX CRIMP SIZE .068"
3. MAX. PANEL THICKNESS=6.5 mm

| DESCRIPTION   | MATERIAL        | FINISH  | QTY |
|---------------|-----------------|---------|-----|
| 9 FERRULE     | COPPER          | NICKEL  | 1   |
| 8 CONTACT PIN | PHOSPHOR BRONZE | GOLD    | 1   |
| 7 HUT HEX     | BRASS           | NICKEL  | 1   |
| 6 LOCK WASHER | BRASS           | NICKEL  | 1   |
| 5 GASKET      | RUBBER          | RED     | 1   |
| 4 BARREL      | BRASS           | NICKEL  | 1   |
| 3 INSULATOR   | PTFE            | NATURAL | 1   |
| 2 BODY        | BRASS           | NICKEL  | 1   |
| 1 HOUSING     | BRASS           | NICKEL  | 1   |

UNLESS OTHERWISE SPECIFIED DIMENSIONS ARE IN MILLIMETERS. DIMENSIONS IN [ ] ARE IN INCHES AND FOR CUSTOMER REFERENCE ONLY.

UNLESS OTHERWISE SPECIFIED TOLERANCES FOR MILLIMETERS ARE:  
0.5 - 8mm ± 0.20mm  
8 - 30mm ± 0.40mm  
30 - 120mm ± 0.50mm

UNLESS OTHERWISE SPECIFIED TOLERANCES FOR INCHES ARE:  
.020 - .315 = ± 0.007"  
.315 - 1.180 = ± 0.015"  
1.180 - 4.724 = ± 0.020"

DO NOT SCALE DRAWING

| APPROVALS     | DATE                 |
|---------------|----------------------|
| DRAWN M.ZHANG | 07/24/10             |
| CHECKED       |                      |
| ISSUED        |                      |
| SHEET 1 OF 1  |                      |
| CAD FILE      | C:/CONNEX/122168.DWG |

**Amphenol Connex**

PART DESCRIPTION  
**TNC BULKHEAD CRIMP JACK - 50 OHM  
(FOR RG-58C/U CABLE)**

PART NO.  
**122168**

DWG. NO. 122168.DWG    REV. NC    SIZE A    SCALE NA

## X-ON Electronics

Largest Supplier of Electrical and Electronic Components

*Click to view similar products for [RF Connectors / Coaxial Connectors](#) category:*

*Click to view products by [Amphenol](#) manufacturer:*

Other Similar products are found below :

[8915-1511-000](#) [89674-0827](#) [6001-7071-019](#) [6002-7051-003](#) [6002-7551-202](#) [6059674-1](#) [619550-1](#) [630059-000](#) [M39030/3-01N](#) [M3933/25-36N](#) [6500-7071-046](#) [6769](#) [CX050L2AQ](#) [7002-1542-011](#) [7004-1512-000](#) [7009-1511-004](#) [7010-1511-000](#) [7029-1511-060](#) [7101-1541-010](#) [7101-1571-002](#) [7105-1521-002](#) [7145-1521-002](#) [7203-1571-003](#) [7209-1511-011](#) [7210-1511-015](#) [7210-1511-019](#) [73137-5015](#) [73216-2241](#) [7325-1512-000](#) [73404-2300](#) [7405-1521-005](#) [7405-1521-802](#) [7406-1521-005](#) [8527](#) [8547](#) [FS11V](#) [8808-1511-001](#) [9049-9513-000](#) [9074-9513-000](#) [9101-9573-002](#) [910A205F](#) [9130-9573-002](#) [PL11SC-026](#) [PL375-33](#) [PL40-5](#) [PL71-9](#) [PL74C-221](#) [PL75MC-217](#) [PL803-7](#) [980-8666-005](#)