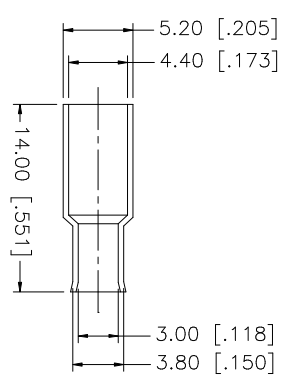
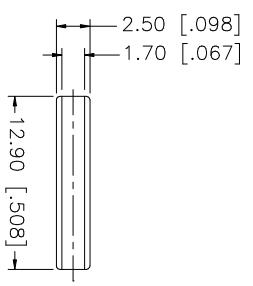
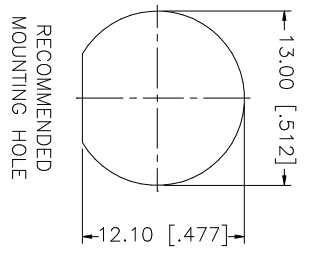
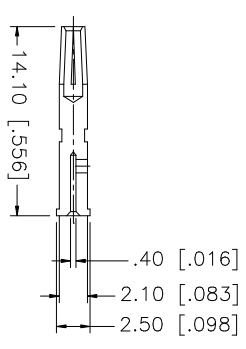
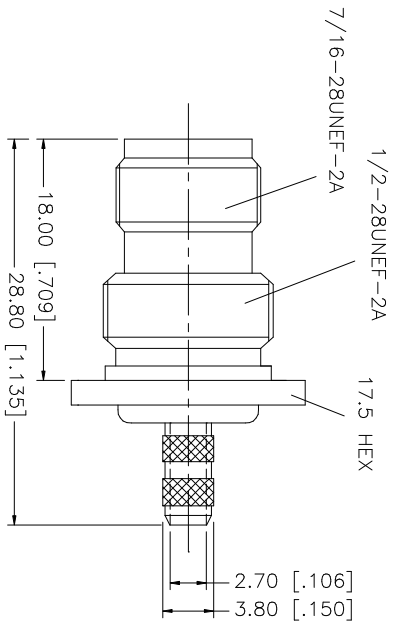
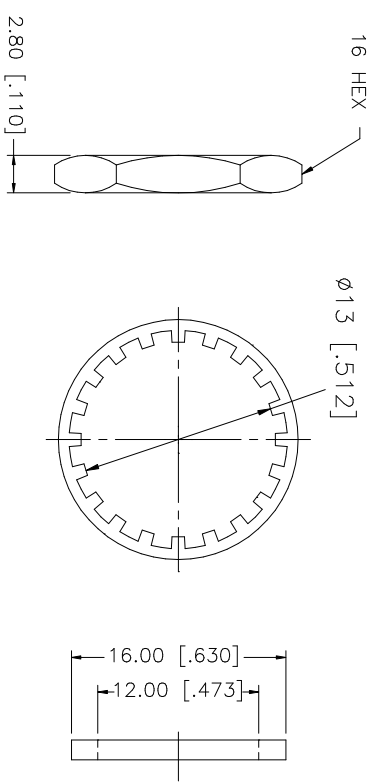
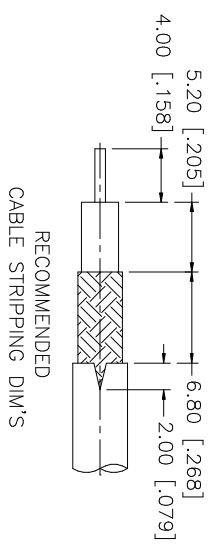


REV.	DATE	DESCRIPTION
A	06/01/06	UPDATE DRAWING FORMAT



DESCRIPTION	MATERIAL	FINISH	QTY	DO NOT SCALE DRAWING	APPROVALS	DATE	PART DESCRIPTION	PART NO.	REV.	SIZE	SCALE
1	INSULATOR BODY	NICKEL	1	1.180 - 4.724 = ± 0.020"	DRAWN G.R.S.	06/01/06	TNC BULKHEAD CRIMP JACK (RG-179/U, 187/U CABLE)	122193	A	A	NA
2	INSULATOR	DELIRIN	1	.315 - 1.180 = ± 0.015"							
3	CONTACT PIN	PHOS. BRONZE	1	.020 - .315 = ± 0.007"	CHECKED						
4	GASKET	SILICONE	1	30 - 120mm ± 0.50mm	ISSUED						
5	LOCK WASHER	BRASS	1	8 - 30mm ± 0.40mm							
6	HEX NUT	BRASS	1	0.5 - 8mm ± 0.20mm							
7	INSULATOR	DELIRIN	1	UNLESS OTHERWISE SPECIFIED DIMENSIONS ARE IN MILLIMETERS DIMENSIONS IN [] ARE IN INCHES AND FOR CUSTOMER REFERENCE ONLY. TOLERANCES FOR MILLIMETERS ARE:							
8	FERRULE	COPPER	1	UNLESS OTHERWISE SPECIFIED DIMENSIONS ARE IN MILLIMETERS DIMENSIONS IN [] ARE IN INCHES AND FOR CUSTOMER REFERENCE ONLY. TOLERANCES FOR MILLIMETERS ARE:							

Amphenol Connex

CAD FILE
C:/122/122193.DWG

DWG. NO.
122193.DWG

X-ON Electronics

Largest Supplier of Electrical and Electronic Components

Click to view similar products for [RF Connectors / Coaxial Connectors](#) category:

Click to view products by [Amphenol](#) manufacturer:

Other Similar products are found below :

[8915-1511-000](#) [89674-0827](#) [6001-7071-019](#) [6002-7051-003](#) [6002-7551-202](#) [6059674-1](#) [619550-1](#) [630059-000](#) [M39030/3-01N](#) [M3933/25-36N](#) [6500-7071-046](#) [6769](#) [CX050L2AQ](#) [7002-1542-011](#) [7004-1512-000](#) [7009-1511-004](#) [7010-1511-000](#) [7029-1511-060](#) [7101-1541-010](#) [7101-1571-002](#) [7105-1521-002](#) [7145-1521-002](#) [7203-1571-003](#) [7209-1511-011](#) [7210-1511-015](#) [7210-1511-019](#) [73137-5015](#) [73216-2241](#) [7325-1512-000](#) [73404-2300](#) [7405-1521-005](#) [7405-1521-802](#) [7406-1521-005](#) [8527](#) [8547](#) [FS11V](#) [8808-1511-001](#) [9049-9513-000](#) [9074-9513-000](#) [9101-9573-002](#) [910A205F](#) [9130-9573-002](#) [PL11SC-026](#) [PL375-33](#) [PL40-5](#) [PL71-9](#) [PL74C-221](#) [PL75MC-217](#) [PL803-7](#) [980-8666-005](#)