

| DESCRIPTION | MATERIAL | FINISH | QTY |
|---------------|----------|---------|-----|
| 10 HEX NUT | BRASS | NICKEL | 1 |
| 9 LOCK WASHER | BRASS | NICKEL | 1 |
| 8 FERRULE | COPPER | NICKEL | 1 |
| 7 CONTACT PIN | BRASS | GOLD | 1 |
| 6 BARREL | BRASS | NICKEL | 1 |
| 5 HOUSING | BRASS | NICKEL | 1 |
| 4 INSULATOR | DELRIN | NATURAL | 1 |
| 3 INSULATOR | PTFE | NATURAL | 1 |
| 2 LOCK RING | BRASS | NICKEL | 1 |
| 1 BODY | BRASS | NICKEL | 1 |

UNLESS OTHERWISE SPECIFIED DIMENSIONS ARE IN MILLIMETERS DIMENSIONS IN [] ARE IN INCHES AND FOR CUSTOMER REFERENCE ONLY.
 TOLERANCES FOR MILLIMETERS ARE:
 0.5 - 8mm ± 0.20mm
 8 - 30mm ± 0.40mm
 30 - 120mm ± 0.50mm
 UNLESS OTHERWISE SPECIFIED TOLERANCES FOR INCHES ARE:
 .020 - .315 = ± 0.007"
 .315 - 1.180 = ± 0.015"
 1.180 - 4.724 = ± 0.020"

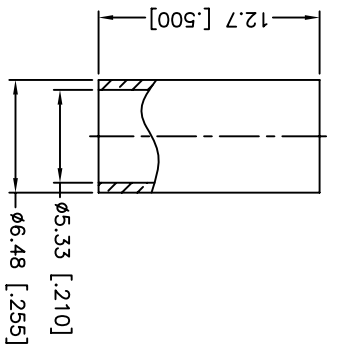
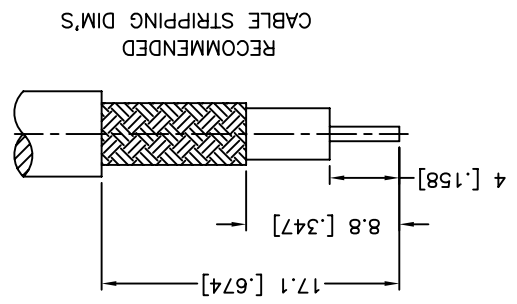
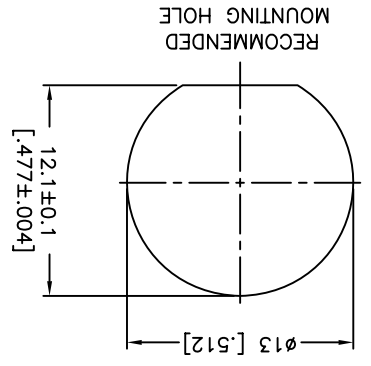
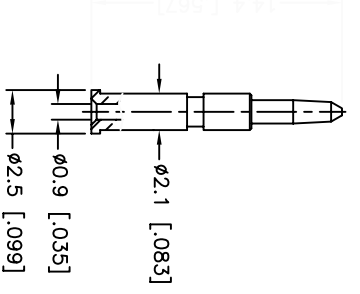
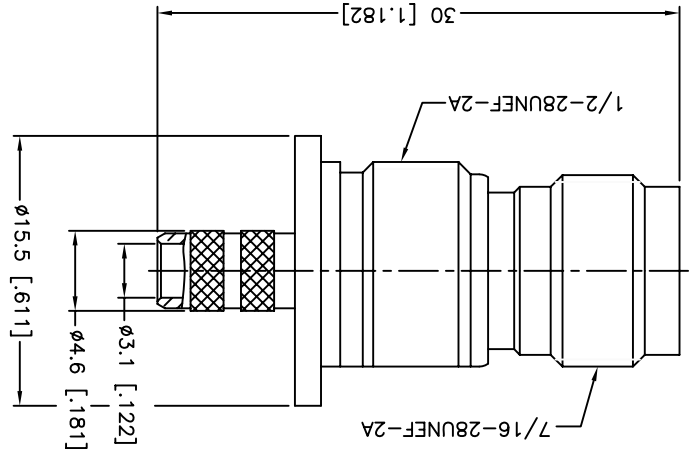
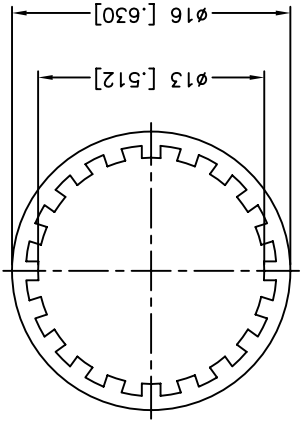
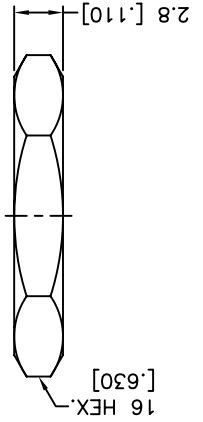
DO NOT SCALE DRAWING

| | |
|-----------|----------|
| APPROVALS | DATE |
| M. ZHANG | 03/29/11 |
| CHECKED | |
| ISSUED | |
| SHEET | 1 OF 1 |
| CAD FILE | |

| | | |
|------|----------|---|
| REV. | DATE | DESCRIPTION |
| NC | 03/29/11 | TNC REVERSE POLARITY ISOLATED BULKHEAD CRIMP JACK (FOR RG-58/U CABLE) |
| NC | | INITIAL RELEASE |

Amphenol Connex

1. CRIMPED FERRULE
HEX CRIMP SIZE .213"
2. CRIMPED CONTACT PIN
HEX CRIMP SIZE .068"
3. MAX. PANEL THICKNESS=6mm



| | | | |
|------|----------|---------|-----------------|
| REV. | DATE | ECR NO. | DESCRIPTION |
| NC | 03/29/11 | XXXXXX | INITIAL RELEASE |

X-ON Electronics

Largest Supplier of Electrical and Electronic Components

Click to view similar products for [RF Connectors / Coaxial Connectors](#) category:

Click to view products by [Amphenol](#) manufacturer:

Other Similar products are found below :

[R125315120](#) [8915-1511-000](#) [89674-0827](#) [5916-1103-603](#) [0106-001-000](#) [6-0001-3](#) [6001-7071-019](#) [6002-7051-003](#) [6002-7551-202](#) [6059674-1](#) [619550-1](#) [630059-000](#) [M39012/25-0021](#) [M39012/79-3008](#) [M39030/3-01N](#) [M39030/3-03N](#) [M3933/25-29N](#) [M3933/25-36N](#) [6500-7071-046](#) [6501-1071-002](#) [M83723/72W24576](#) [M83723/72W2457N](#) [6769](#) [CX050L2AQ](#) [7002-1541-010](#) [7003-1572-002](#) [7004-1512-000](#) [7009-1511-004](#) [7010-1511-000](#) [7029-1511-060](#) [7101-1541-010](#) [7101-1571-002](#) [7105-1521-002](#) [7145-1521-002](#) [7209-1511-011](#) [7210-1511-012](#) [7210-1511-015](#) [7210-1511-019](#) [7210-1511-040](#) [7225-1512-050](#) [7242-1511-000](#) [73137-5015](#) [73216-2241](#) [73251-0111](#) [73251-0672](#) [73276-1501](#) [73366-0013](#) [73404-2300](#) [73413-6080](#) [734151610](#)