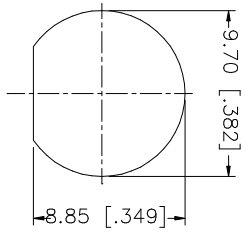
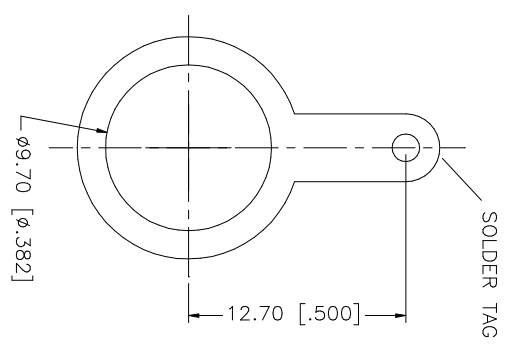
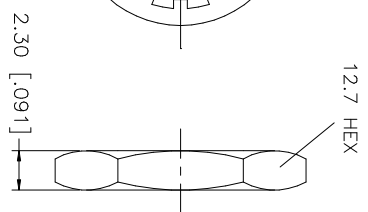
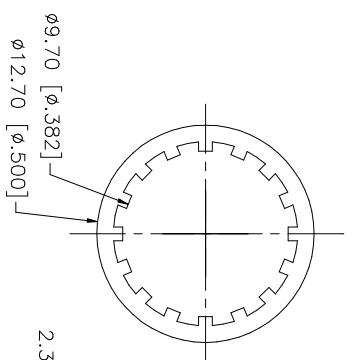
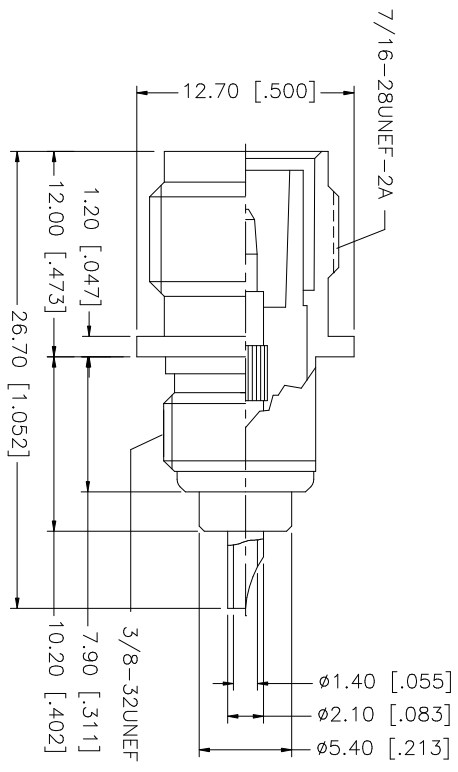


| REV. | DATE | DESCRIPTION |
|------|----------|-----------------------|
| A | 02/21/06 | UPDATE DRAWING FORMAT |



RECOMMENDED
MOUNTING HOLE

NOTE:
1. MAX. PANEL THICKNESS = 3.2mm

| QTY | DESCRIPTION | MATERIAL | FINISH | FINISH | QTY | DO NOT SCALE DRAWING |
|-----|-----------------------|--------------|--------|--------|-----|---|
| 1 | INSULATOR BODY | BRASS | NICKEL | NICKEL | 1 | UNLESS OTHERWISE SPECIFIED, DIMENSIONS ARE IN INCHES AND FOR CUSTOMER REFERENCE ONLY. TOLERANCES FOR MILLING ARE: 0.5 - .8mm ± 0.20mm 8 - 30mm ± 0.40mm 30 - 120mm ± 0.50mm UNLESS OTHERWISE SPECIFIED, DIMENSIONS FOR THIS ARE: .020 - .315 = ± 0.007" .315 - 1.180 = ± 0.015" 1.180 - 4.724 = ± 0.020" |
| 1 | INSULATOR CONTACT PIN | PHOS. BRONZE | GOLD | NICKEL | 1 | |
| 1 | LOCK WASHER | BRASS | NICKEL | NICKEL | 1 | |
| 1 | HEX NUT | BRASS | NICKEL | NICKEL | 1 | |
| 1 | SOLDER TAB | BRASS | NICKEL | NICKEL | 1 | |

| APPROVALS | DATE |
|--------------|----------|
| DRAWN G.R.S. | 02/21/06 |
| CHECKED | |
| ISSUED | |
| SHEET 1 OF 1 | |

| PART NO. | PART DESCRIPTION | DWG. NO. | REV. | SIZE | SCALE |
|----------|---|--------------|------|------|-------|
| 122332RP | TNC REVERSE POLARITY BULKHEAD RECEPTACLE JACK | 122332RP.DWG | A | A | NA |

Amphenol Connex

TNC REVERSE POLARITY BULKHEAD
RECEPTACLE JACK

X-ON Electronics

Largest Supplier of Electrical and Electronic Components

Click to view similar products for [RF Connectors / Coaxial Connectors](#) category:

Click to view products by [Amphenol](#) manufacturer:

Other Similar products are found below :

[8915-1511-000](#) [89674-0827](#) [6001-7071-019](#) [6002-7051-003](#) [6002-7551-202](#) [6059674-1](#) [619550-1](#) [630059-000](#) [M39030/3-01N](#) [M3933/25-36N](#) [6500-7071-046](#) [6769](#) [CX050L2AQ](#) [7002-1542-011](#) [7004-1512-000](#) [7009-1511-004](#) [7010-1511-000](#) [7029-1511-060](#) [7101-1541-010](#) [7101-1571-002](#) [7105-1521-002](#) [7145-1521-002](#) [7203-1571-003](#) [7209-1511-011](#) [7210-1511-015](#) [7210-1511-019](#) [73137-5015](#) [73216-2241](#) [7325-1512-000](#) [73404-2300](#) [7405-1521-005](#) [7405-1521-802](#) [7406-1521-005](#) [8527](#) [8547](#) [FS11V](#) [8808-1511-001](#) [9049-9513-000](#) [9074-9513-000](#) [9101-9573-002](#) [910A205F](#) [9130-9573-002](#) [PL11SC-026](#) [PL375-33](#) [PL40-5](#) [PL71-9](#) [PL74C-221](#) [PL75MC-217](#) [PL803-7](#) [980-8666-005](#)