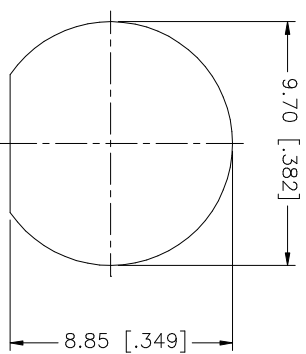
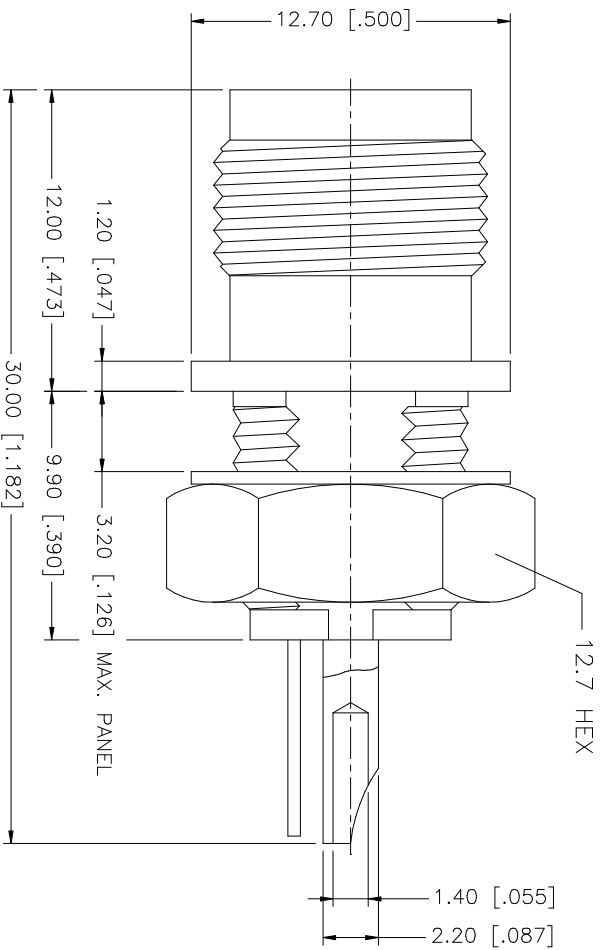


REV.	DATE	DESCRIPTION
NC	02/21/97	INITIAL RELEASE
A	07/27/97	REVISE CONTACT PIN MATERIAL
B	08/30/06	UPDATE DRAWING FORMAT



RECOMMENDED  
MOUNTING HOLE

UNLESS OTHERWISE SPECIFIED DIMENSIONS ARE IN MILLIMETERS. DIMENSIONS IN [ ] ARE IN INCHES AND FOR SUBSTITUTION REFERENCED ONLY.	UNLESS OTHERWISE SPECIFIED TOLERANCES FOR MILLIMETERS ARE:	UNLESS OTHERWISE SPECIFIED TOLERANCES FOR INCHES ARE:	APPROVALS	DATE	PART DESCRIPTION
0.5 - 8mm ± 0.20mm	0.20 - .315 = ± 0.007"	0.20 - .315 = ± 0.007"	DRAWN	08/30/06	<b>Amphenol Connex</b> BULKHEAD RECEPTACLE ISOLATED JACK
8 - 30mm ± 0.40mm	.315 - 1.180 = ± 0.015"	.315 - 1.180 = ± 0.015"	CHECKED		
30 - 120mm ± 0.50mm	1.180 - 4.724 = ± 0.020"	1.180 - 4.724 = ± 0.020"	ISSUED		
			SHEET	1 OF 1	
			CAD FILE	C:/122/1223338.DWG	
DESCRIPTION	MATERIAL	FINISH	QTY	DO NOT SCALE DRAWING	DWG. NO. 1223338.DWG
1	BER. COPPER	GOLD	1		REV. B
2	NYLON	NATURAL	1		SIZE A
1	BRASS	NICKEL	1		SCALE NA

## X-ON Electronics

Largest Supplier of Electrical and Electronic Components

*Click to view similar products for [RF Connectors / Coaxial Connectors](#) category:*

*Click to view products by [Amphenol](#) manufacturer:*

Other Similar products are found below :

[8915-1511-000](#) [89674-0827](#) [6001-7071-019](#) [6002-7051-003](#) [6002-7551-202](#) [6059674-1](#) [619550-1](#) [630059-000](#) [M39030/3-01N](#) [M3933/25-36N](#) [6500-7071-046](#) [6769](#) [CX050L2AQ](#) [7002-1542-011](#) [7004-1512-000](#) [7009-1511-004](#) [7010-1511-000](#) [7029-1511-060](#) [7101-1541-010](#) [7101-1571-002](#) [7105-1521-002](#) [7145-1521-002](#) [7203-1571-003](#) [7209-1511-011](#) [7210-1511-015](#) [7210-1511-019](#) [73137-5015](#) [73216-2241](#) [7325-1512-000](#) [73404-2300](#) [7405-1521-005](#) [7405-1521-802](#) [7406-1521-005](#) [8527](#) [8547](#) [FS11V](#) [8808-1511-001](#) [9049-9513-000](#) [9074-9513-000](#) [9101-9573-002](#) [910A205F](#) [9130-9573-002](#) [PL11SC-026](#) [PL375-33](#) [PL40-5](#) [PL71-9](#) [PL74C-221](#) [PL75MC-217](#) [PL803-7](#) [980-8666-005](#)