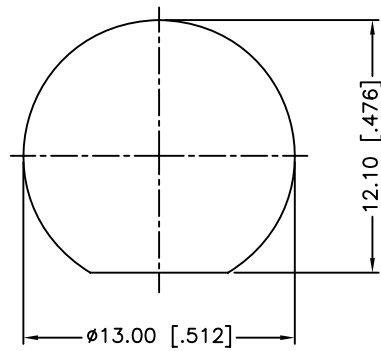
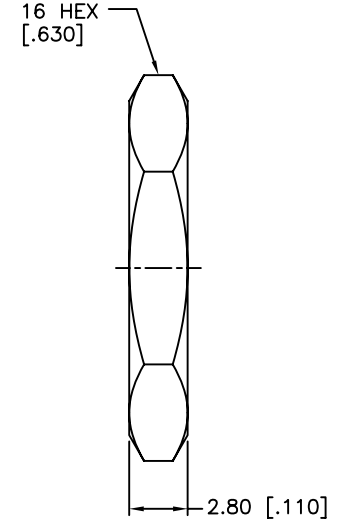
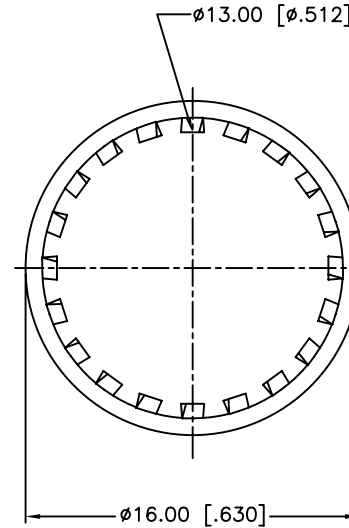
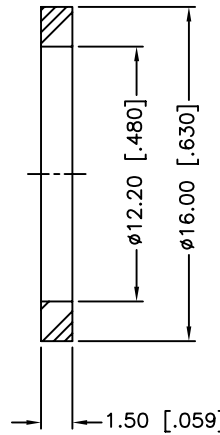
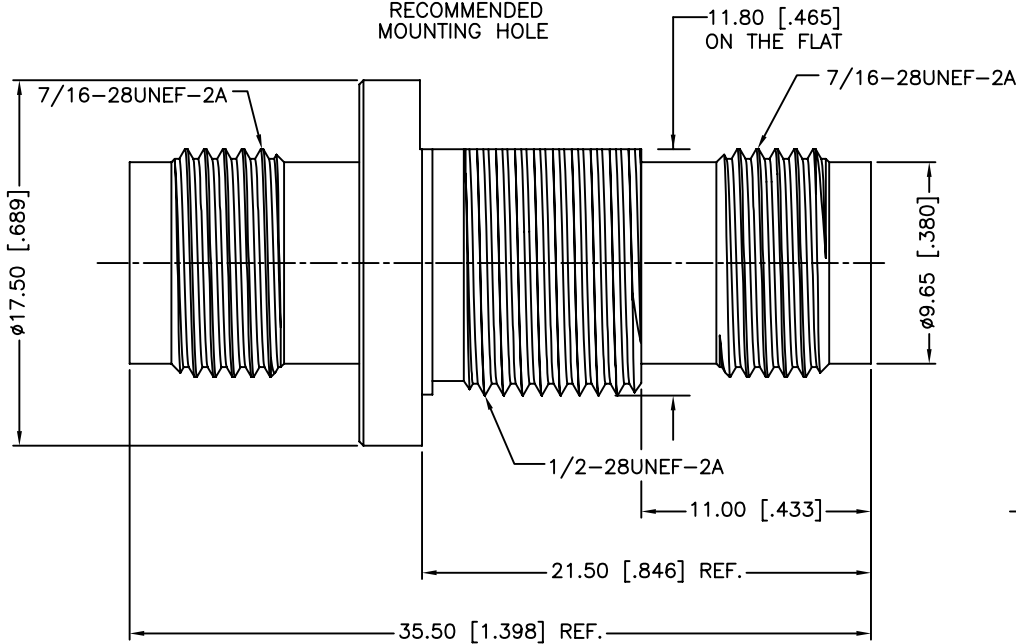


REV.	DATE	ECR NO.	DESCRIPTION
NC	07/30/08	XXXXXX	INITIAL RELEASE
A	10/29/13	2545	UPDATE FORMAT, ADD ELECTRICAL/MECHANICAL NOTES



RECOMMENDED MOUNTING HOLE



1. IMPEDANCE: 75 OHM
2. FREQUENCY RANGE: 0-2 GHZ
3. VSWR: 1.3 MAX.
4. DIELECTRIC WITHSTANDING VOLTAGE: 1500 VRMS, MIN.
5. DURABILITY: 100 CYCLES MIN.
6. TEMPERATURE RANGE: -40°C TO +85°C
7. MAX. PANEL THICKNESS=6.5 mm

QTY	DESCRIPTION	MATERIAL	FINISH
7	HEX NUT	BRASS	NICKEL
6	LOCK WASHER	BRASS	NICKEL
5	GASKET	SILICONE RUBBER	RED
4	CONTACT PIN	PHOSPHOR BRONZE	GOLD
3	INSULATOR	DELTRIN	NATURAL
2	BODY	BRASS	NICKEL
1	HOUSING	BRASS	NICKEL

UNLESS OTHERWISE SPECIFIED DIMENSIONS ARE IN MILLIMETERS. DIMENSIONS IN [ ] ARE IN INCHES AND FOR CUSTOMER REFERENCE ONLY.  
UNLESS OTHERWISE SPECIFIED  
TOLERANCES FOR MILLIMETERS ARE:  
<0.5 ± 0.05mm  
0.5 - 6mm ± 0.10mm  
6 - 30mm ± 0.20mm  
30 - 120mm ± 0.30mm  
ANGLES ± 1°  
UNLESS OTHERWISE SPECIFIED  
TOLERANCES FOR INCHES ARE:  
<.020 ± 0.002"  
.020 - .236 = ± 0.004"  
.236 - 1.180 = ± 0.007"  
1.180 - 4.724 = ± 0.012"  
ANGLES ± 1°  
DO NOT SCALE DRAWING

APPROVALS	DATE
DRAWN M.ZHANG	10/29/13
CHECKED	
ISSUED	
SHEET 1 OF 1	
CAD FILE	C:/CONNEX/122341.DWG

<h1>Amphenol Connex</h1>			
PART DESCRIPTION <b>TNC FEMALE TO FEMALE BULKHEAD ADAPTOR</b>			
PART NO. <b>122341</b>			
DWG. NO.	122341.DWG	REV.	A
SIZE	A	SCALE	NA

## X-ON Electronics

Largest Supplier of Electrical and Electronic Components

*Click to view similar products for [RF Adapters - In Series](#) category:*

*Click to view products by [Amphenol](#) manufacturer:*

Other Similar products are found below :

[5916-1103-603](#) [5918-1103-000](#) [5919-1503-000](#) [651A505](#) [82-5552](#) [9030-9523-502](#) [A0407000](#) [R114703000W](#) [R125704000](#) [R125771001](#)  
[R141710000W](#) [R141723161](#) [R141730000](#) [R143730700](#) [R143770000](#) [R161703000W](#) [R161730000](#) [R161753000W](#) [R161791530W](#)  
[R201705000](#) [R222705200](#) [R222M40010W](#) [R316754000](#) [R405006000](#) [R443162000](#) [AD78TL](#) [HRM-513S](#) [1996352-2](#) [2157155-1](#) [252169-75](#)  
[AD158](#) [2101130-1](#) [252186](#) [R114704000W](#) [R114720000W](#) [R125705001](#) [R125705701](#) [R125771000](#) [R125771001W](#) [R125791501W](#)  
[R127704001](#) [R127.870.001](#) [R127872001](#) [R141717000](#) [R142710000](#) [R142723000](#) [R143703000](#) [R143704000](#) [R143705700](#) [R143710000](#)