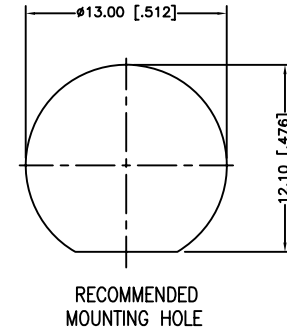
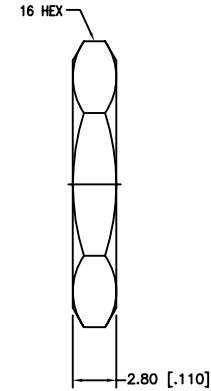
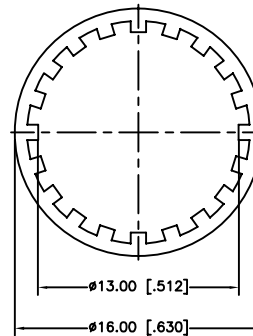
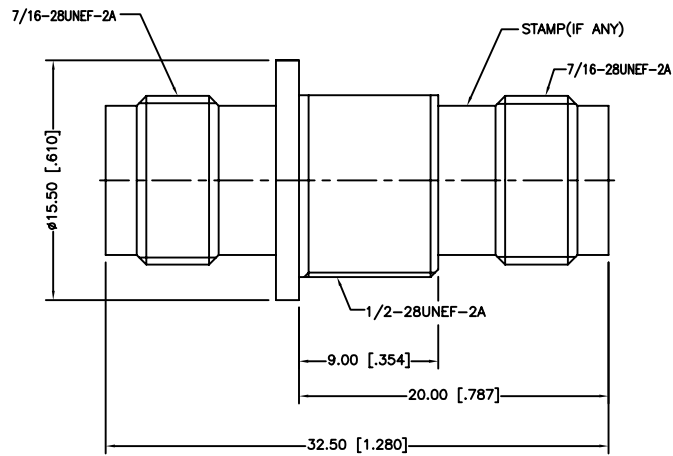


REV.	DATE	ECR NO.	DESCRIPTION
NC	07/08/10	XXXXXX	INITIAL RELEASE



- FREQUENCY RANGE: 0 - 11 GHz
- IMPEDANCE: 50 OHM

DESCRIPTION	MATERIAL	FINISH	QTY	
6	HEX NUT	BRASS	NICKEL	1
5	LOCK WASHER	BRASS	NICKEL	1
4	CONTACT PIN	PHOSPHOR BRONZE	GOLD	1
3	INSULATOR	DELTRIN	NATURAL	2
2	BODY	BRASS	NICKEL	2
1	HOUSING	BRASS	NICKEL	1

<small>UNLESS OTHERWISE SPECIFIED DIMENSIONS ARE IN MILLIMETERS. DIMENSIONS IN [] ARE IN INCHES AND FOR CUSTOMER REFERENCE ONLY.</small> <small>UNLESS OTHERWISE SPECIFIED TOLERANCES FOR MILLIMETERS ARE: 0.5 - 8mm ± 0.20mm 8 - 30mm ± 0.40mm 30 - 120mm ± 0.50mm</small> <small>UNLESS OTHERWISE SPECIFIED TOLERANCES FOR INCHES ARE: .020 - .315 = ± 0.007" .315 - 1.180 = ± 0.015" 1.180 - 4.724 = ± 0.020"</small>	APPROVALS	DATE
	DRAWN M.ZHANG	07/08/10
	CHECKED	
	ISSUED	
	SHEET 1 OF 1	
CAD FILE C:/CONNEX/122344.DWG		

<h1>Amphenol Connex</h1>			
PART DESCRIPTION TNC FEMALE TO FEMALE BULKHEAD ADAPTOR			
PART NO. 122344			
DWG. NO.	122344.DWG	REV.	NC
SIZE	A	SCALE	NA

DO NOT SCALE DRAWING

X-ON Electronics

Largest Supplier of Electrical and Electronic Components

Click to view similar products for [RF Adapters - In Series category:](#)

Click to view products by [Amphenol manufacturer:](#)

Other Similar products are found below :

[5916-1103-603](#) [5918-1103-000](#) [5919-1503-000](#) [651A505](#) [82-5552](#) [9030-9523-502](#) [A0407000](#) [R114703000W](#) [R125704000](#) [R125771001](#)
[R141710000W](#) [R141723161](#) [R141730000](#) [R143730700](#) [R143770000](#) [R161703000W](#) [R161730000](#) [R161753000W](#) [R161791530W](#)
[R201705000](#) [R222705200](#) [R222M40010W](#) [R223703180](#) [R316754000](#) [R405006000](#) [R443162000](#) [AD78TL](#) [HRM-513S](#) [1996352-2](#)
[2157155-1](#) [252169-75](#) [AD158](#) [2101130-1](#) [252186](#) [R114704000W](#) [R114720000W](#) [R125705001](#) [R125705701](#) [R125771000](#) [R125771001W](#)
[R125791501W](#) [R127704001](#) [R127.870.001](#) [R127872001](#) [R141717000](#) [R142710000](#) [R142723000](#) [R143703000](#) [R143704000](#) [R143705700](#)