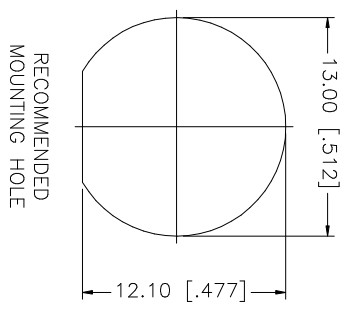
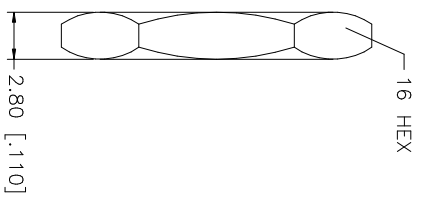
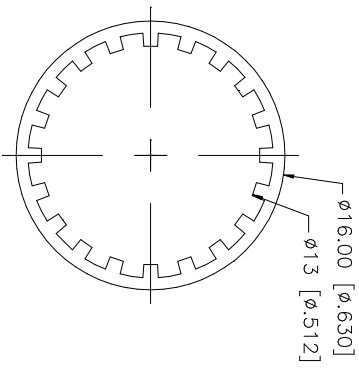
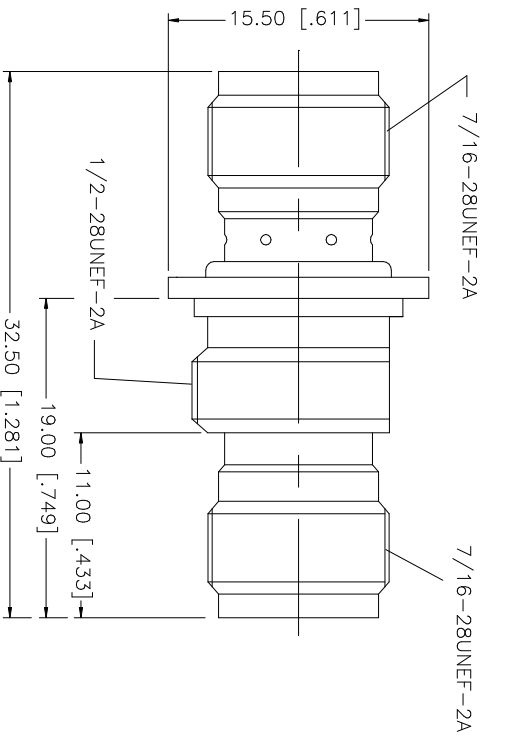


REV.	DATE
NC	05/31/06

DESCRIPTION  
INITIAL RELEASE



UNLESS OTHERWISE SPECIFIED DIMENSIONS ARE IN MILLIMETERS. DIMENSIONS IN [ ] ARE IN INCHES AND FOR SUBSTITUTED REFERENCE ONLY.	UNLESS OTHERWISE SPECIFIED TOLERANCES FOR MILLIMETERS ARE:	UNLESS OTHERWISE SPECIFIED TOLERANCES FOR INCHES ARE:	APPROVALS	DATE	PART DESCRIPTION
1	0.20 - .315 = ± 0.007"	.020 - .315 = ± 0.007"	DRAWN G.R.S.	05/31/06	<b>Amphenol Connex</b> TNC FEMALE TO FEMALE BULKHEAD ISOLATED ADAPTER 122346
2	.315 - 1.180 = ± 0.015"	.315 - 1.180 = ± 0.015"	CHECKED		
3	1.180 - 4.724 = ± 0.020"	1.180 - 4.724 = ± 0.020"	ISSUED		
4			SHEET 1 OF 1		
5			CAD FILE		
6			C:/122/122346.DWG		DWG. NO. 122346.DWG
7					REV. NC
8					SIZE A
9					SCALE NA

DESCRIPTION	MATERIAL	FINISH	QTY
1 BODY	BRASS	NICKEL	1
2 INSULATOR	DELFIN	NATURAL	2
3 CONTACT PIN	PHOS. BRONZE	GOLD	1
4 LOCK WASHER	BRASS	NICKEL	1
5 HEX NUT	BRASS	NICKEL	1
6			
7			
8			

## X-ON Electronics

Largest Supplier of Electrical and Electronic Components

*Click to view similar products for [RF Adapters - In Series](#) category:*

*Click to view products by [Amphenol](#) manufacturer:*

Other Similar products are found below :

[5916-1103-603](#) [5918-1103-000](#) [5919-1503-000](#) [651A505](#) [82-5552](#) [9030-9523-502](#) [A0407000](#) [R114703000W](#) [R125704000](#) [R125771001](#)  
[R141710000W](#) [R141723161](#) [R141730000](#) [R143730700](#) [R143770000](#) [R161703000W](#) [R161730000](#) [R161753000W](#) [R161791530W](#)  
[R201705000](#) [R222705200](#) [R222M40010W](#) [R316754000](#) [R405006000](#) [R443162000](#) [AD78TL](#) [HRM-513S](#) [1996352-2](#) [2157155-1](#) [252169-75](#)  
[AD158](#) [2101130-1](#) [252186](#) [R114704000W](#) [R114720000W](#) [R125705001](#) [R125705701](#) [R125771000](#) [R125771001W](#) [R125791501W](#)  
[R127704001](#) [R127.870.001](#) [R127872001](#) [R141717000](#) [R142710000](#) [R142723000](#) [R143703000](#) [R143704000](#) [R143705700](#) [R143710000](#)