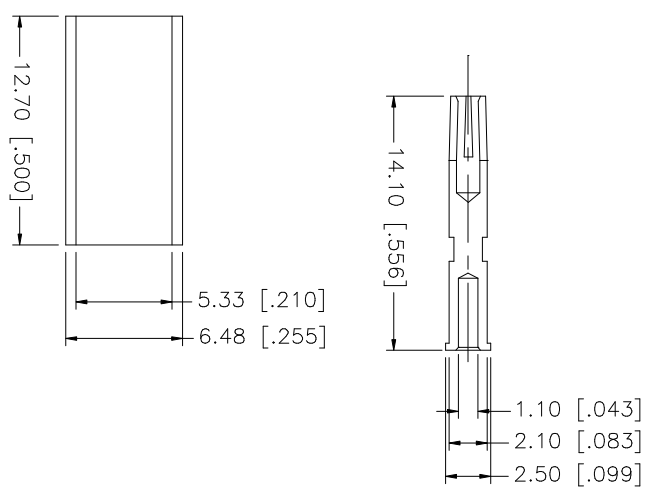
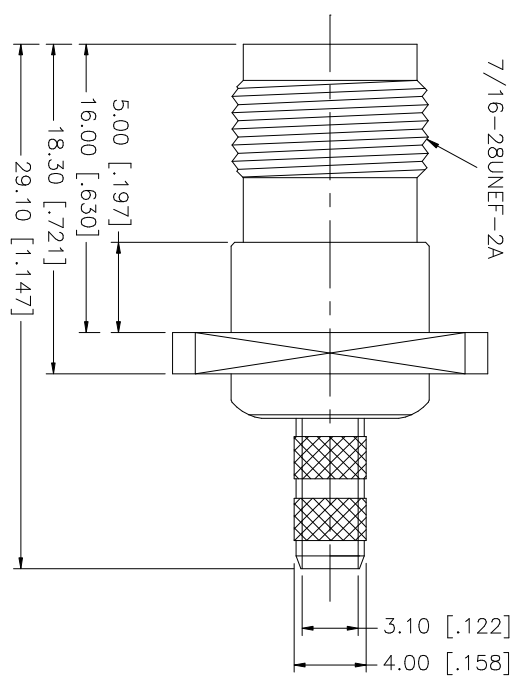
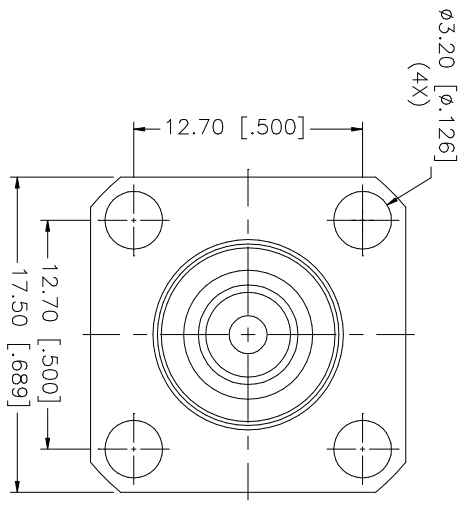
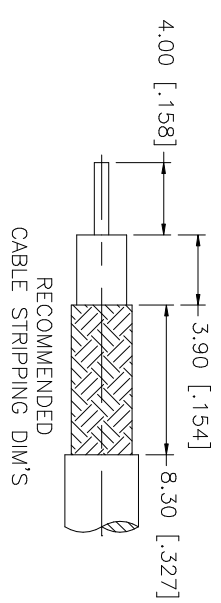


REV.	DATE	DESCRIPTION
NC	07/19/99	INITIAL RELEASE
A	08/07/05	UPDATE DRAWING FORMAT



8																			
7																			
6																			
5																			
4	FERRULE	COPPER	NICKEL	1															
3	CONTACT PIN	PHOS. BRONZE	GOLD	1															
2	INSULATOR	TEFLON	NATURAL	1															
1	BODY	BRASS	NICKEL	1															
DESCRIPTION		MATERIAL		FINISH		QTY													
UNLESS OTHERWISE SPECIFIED, DIMENSIONS ARE IN MILLIMETERS. DIMENSIONS IN INCHES ARE IN INCHES AND FOR CUSTOMER REFERENCE ONLY.										UNLESS OTHERWISE SPECIFIED, DIMENSIONS ARE IN MILLIMETERS. DIMENSIONS IN INCHES ARE IN INCHES AND FOR CUSTOMER REFERENCE ONLY.									
TOLERANCES FOR MILLIMETERS ARE:										TOLERANCES FOR MILLIMETERS ARE:									
0.5 - 8mm ± 0.20mm										0.5 - 8mm ± 0.20mm									
8 - 30mm ± 0.40mm										8 - 30mm ± 0.40mm									
30 - 120mm ± 0.50mm										30 - 120mm ± 0.50mm									
UNLESS OTHERWISE SPECIFIED, DIMENSIONS FOR INCHES ARE:										UNLESS OTHERWISE SPECIFIED, DIMENSIONS FOR INCHES ARE:									
.020 - .315 = ± 0.007"										.020 - .315 = ± 0.007"									
.315 - 1.180 = ± 0.015"										.315 - 1.180 = ± 0.015"									
1.180 - 4.724 = ± 0.020"										1.180 - 4.724 = ± 0.020"									
DO NOT SCALE DRAWING										DO NOT SCALE DRAWING									
APPROVALS					DATE					PART DESCRIPTION					DWG. NO.				
DRAWN G.R.S.					07/31/05					TNC CRIMP PANEL JACK					122374.DWG				
CHECKED										(FOR RG 213/U, 142/U, 400/U CABLE)					REV. A				
ISSUED										122374					SIZE A				
SHEET 1 OF 1															SCALE NA				
CAD FILE C:/122/122374.DWG																			

Amphenol Connex

TNC CRIMP PANEL JACK
(FOR RG 213/U, 142/U, 400/U CABLE)

X-ON Electronics

Largest Supplier of Electrical and Electronic Components

Click to view similar products for [RF Connectors / Coaxial Connectors](#) category:

Click to view products by [Amphenol](#) manufacturer:

Other Similar products are found below :

[8915-1511-000](#) [89674-0827](#) [6001-7071-019](#) [6002-7051-003](#) [6002-7551-202](#) [6059674-1](#) [619550-1](#) [630059-000](#) [M39030/3-01N](#) [M3933/25-36N](#) [6500-7071-046](#) [6769](#) [CX050L2AQ](#) [7002-1542-011](#) [7004-1512-000](#) [7009-1511-004](#) [7010-1511-000](#) [7029-1511-060](#) [7101-1541-010](#) [7101-1571-002](#) [7105-1521-002](#) [7145-1521-002](#) [7203-1571-003](#) [7209-1511-011](#) [7210-1511-015](#) [7210-1511-019](#) [73137-5015](#) [73216-2241](#) [7325-1512-000](#) [73404-2300](#) [7405-1521-005](#) [7405-1521-802](#) [7406-1521-005](#) [8527](#) [8547](#) [FS11V](#) [8808-1511-001](#) [9049-9513-000](#) [9074-9513-000](#) [9101-9573-002](#) [910A205F](#) [9130-9573-002](#) [PL11SC-026](#) [PL375-33](#) [PL40-5](#) [PL71-9](#) [PL74C-221](#) [PL75MC-217](#) [PL803-7](#) [980-8666-005](#)