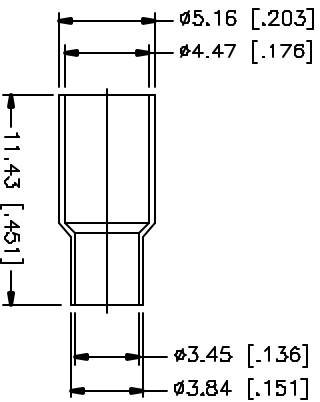
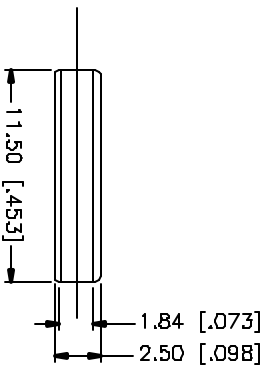
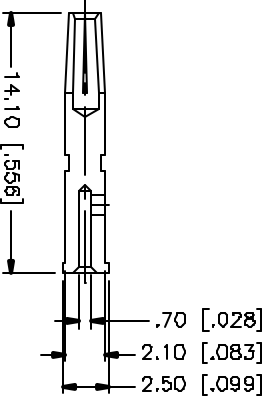
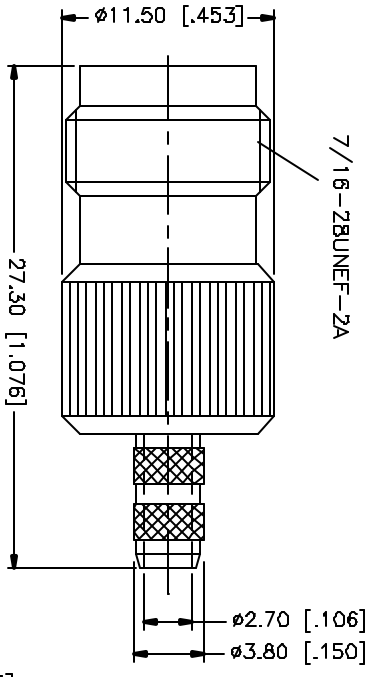
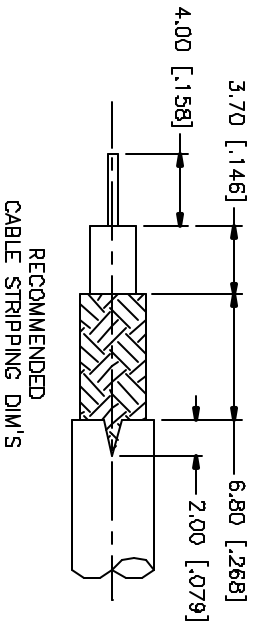


REV.	DATE	DESCRIPTION
NC	03/19/05	INITIAL RELEASE



- NOTE:
1. CRIMPED FERRULE  
HEX CRIMP SIZE .178"
  2. CRIMP CONTACT PIN  
HEX CRIMP SIZE .068"

NO.	DESCRIPTION	MATERIAL	FINISH	QTY	UNLESS OTHERWISE SPECIFIED DIMENSIONS ARE IN MILLIMETERS. DIMENSIONS IN [ ] ARE IN INCHES AND PER CUSTOMER REFERENCE ONLY.	UNLESS OTHERWISE SPECIFIED DIMENSIONS ARE IN MILLIMETERS. DIMENSIONS IN [ ] ARE IN INCHES AND PER CUSTOMER REFERENCE ONLY.	UNLESS OTHERWISE SPECIFIED DIMENSIONS ARE IN MILLIMETERS. DIMENSIONS IN [ ] ARE IN INCHES AND PER CUSTOMER REFERENCE ONLY.	APPROVALS	DATE	PART DESCRIPTION			
1	INSULATOR BODY	BRASS	NICKEL	1	1.180 - 4.724 = ± 0.020"	DO NOT SCALE DRAWING				<p><b>Amphenol Connex</b></p> <p>TNC CRIMP JACK (FOR RG-316/U DOUBLE BRAID CABLE)</p> <p>122377</p>			
2	INSULATOR	TEFLON	NATURAL	1	.315 - 1.180 = ± 0.015"								
3	CONTACT PIN	PHOS. BRONZE	GOLD	1	.020 - .315 = ± 0.007"								
4	FERRULE	COPPER	NICKEL	1	30 - 120mm ± 0.50mm								
5					8 - 30mm ± 0.40mm								
6					0.5 - 8mm ± 0.20mm								
7													
8													
9													
10													
DESCRIPTION					MATERIAL			FINISH			QTY		
DWD FILE					C:/122/122377.DWG			DWC NO.			122377.DWG		
REV.					NC			BZE			A		
SCALE					NA								

## X-ON Electronics

Largest Supplier of Electrical and Electronic Components

*Click to view similar products for [RF Connectors / Coaxial Connectors](#) category:*

*Click to view products by [Amphenol](#) manufacturer:*

Other Similar products are found below :

[8915-1511-000](#) [89674-0827](#) [6001-7071-019](#) [6002-7051-003](#) [6002-7551-202](#) [6059674-1](#) [619550-1](#) [630059-000](#) [M39030/3-01N](#) [M3933/25-36N](#) [6500-7071-046](#) [6769](#) [CX050L2AQ](#) [7002-1542-011](#) [7004-1512-000](#) [7009-1511-004](#) [7010-1511-000](#) [7029-1511-060](#) [7101-1541-010](#) [7101-1571-002](#) [7105-1521-002](#) [7145-1521-002](#) [7203-1571-003](#) [7209-1511-011](#) [7210-1511-015](#) [7210-1511-019](#) [73137-5015](#) [73216-2241](#) [7325-1512-000](#) [73404-2300](#) [7405-1521-005](#) [7405-1521-802](#) [7406-1521-005](#) [8527](#) [8547](#) [FS11V](#) [8808-1511-001](#) [9049-9513-000](#) [9074-9513-000](#) [9101-9573-002](#) [910A205F](#) [9130-9573-002](#) [PL11SC-026](#) [PL375-33](#) [PL40-5](#) [PL71-9](#) [PL74C-221](#) [PL75MC-217](#) [PL803-7](#) [980-8666-005](#)