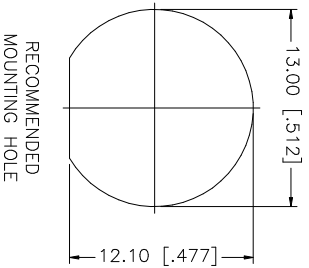
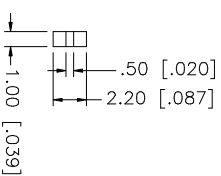
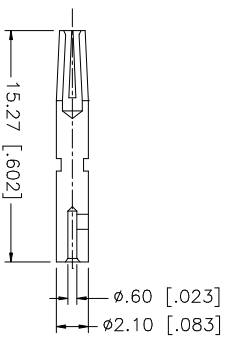
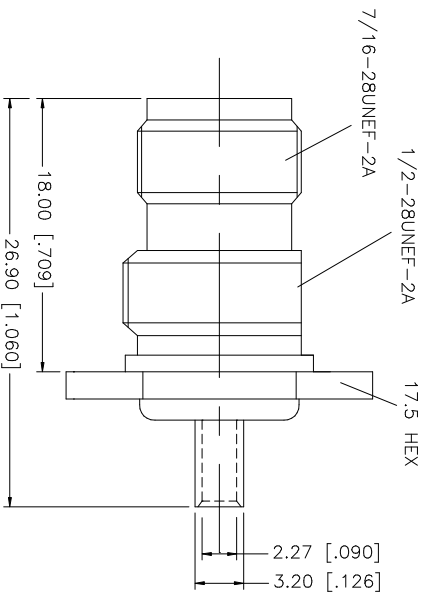
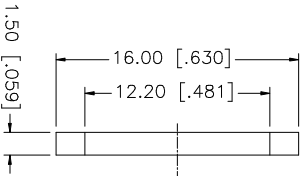
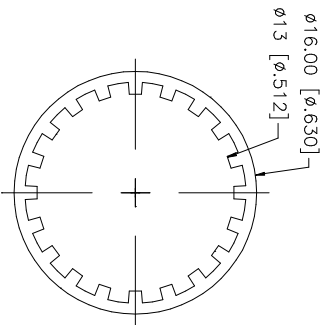
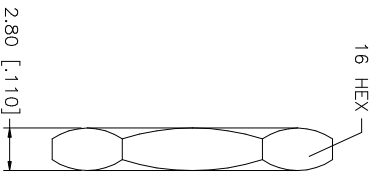
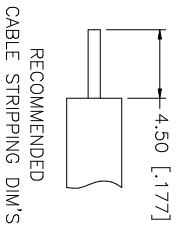


REV.	DATE	DESCRIPTION
A	04/05/03	UPDATE DRAWING FORMAT



- NOTE:
- CRIMPED CONTACT PIN  
HEX CRIMP SIZE .068"
  - MAX. PANEL THICKNESS = 3.5mm

QTY	DESCRIPTION	MATERIAL	FINISH	UNLESS OTHERWISE SPECIFIED DIMENSIONS ARE IN MILLIMETERS. DIMENSIONS IN [ ] ARE IN INCHES AND FOR CUSTOMER REFERENCE ONLY. TOLERANCES FOR MILLIMETERS ARE:	DO NOT SCALE DRAWING	APPROVALS	DATE	PART DESCRIPTION
1	INSULATOR	TEFLON	NATURAL	0.5 - 8mm ± 0.20mm		G.R.S.	04/05/03	<b>Amphenol Connex</b> TNC BULKHEAD SOLDER JACK (FOR .085", .086" CABLE)
1	CONTACT PIN	PHOS. BRONZE	GOLD	8 - 30mm ± 0.40mm				
1	HEX NUT	BRASS	NICKEL	30 - 120mm ± 0.50mm				
1	LOCK WASHER	BRASS	NICKEL	UNLESS OTHERWISE SPECIFIED TOLERANCES FOR INCHES ARE:				
1	GASKET	RUBBER	RED	.020 - .315 = ± 0.007"				
1	INSULATOR	TEFLON	NATURAL	.315 - 1.180 = ± 0.015"				
1	HOUSING/BODY	BRASS	NICKEL	1.180 - 4.724 = ± 0.020"				
	DESCRIPTION	MATERIAL	FINISH					

CAD FILE	APPROVALS	DATE
C:/122/122400.DWG	G.R.S.	04/05/03

DWG. NO.	REV.	SIZE	SCALE
122400.DWG	A	A	NA

## X-ON Electronics

Largest Supplier of Electrical and Electronic Components

*Click to view similar products for [RF Connectors / Coaxial Connectors](#) category:*

*Click to view products by [Amphenol](#) manufacturer:*

Other Similar products are found below :

[8915-1511-000](#) [89674-0827](#) [6001-7071-019](#) [6002-7051-003](#) [6002-7551-202](#) [6059674-1](#) [619550-1](#) [630059-000](#) [M39030/3-01N](#) [M3933/25-36N](#) [6500-7071-046](#) [6769](#) [CX050L2AQ](#) [7002-1542-011](#) [7004-1512-000](#) [7009-1511-004](#) [7010-1511-000](#) [7029-1511-060](#) [7101-1541-010](#) [7101-1571-002](#) [7105-1521-002](#) [7145-1521-002](#) [7203-1571-003](#) [7209-1511-011](#) [7210-1511-015](#) [7210-1511-019](#) [73137-5015](#) [73216-2241](#) [7325-1512-000](#) [73404-2300](#) [7405-1521-005](#) [7405-1521-802](#) [7406-1521-005](#) [8527](#) [8547](#) [FS11V](#) [8808-1511-001](#) [9049-9513-000](#) [9074-9513-000](#) [9101-9573-002](#) [910A205F](#) [9130-9573-002](#) [PL11SC-026](#) [PL375-33](#) [PL40-5](#) [PL71-9](#) [PL74C-221](#) [PL75MC-217](#) [PL803-7](#) [980-8666-005](#)