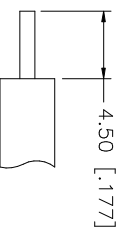
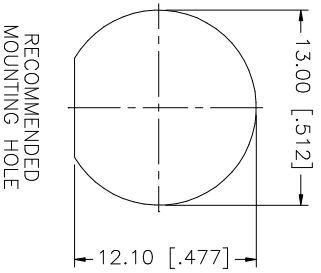
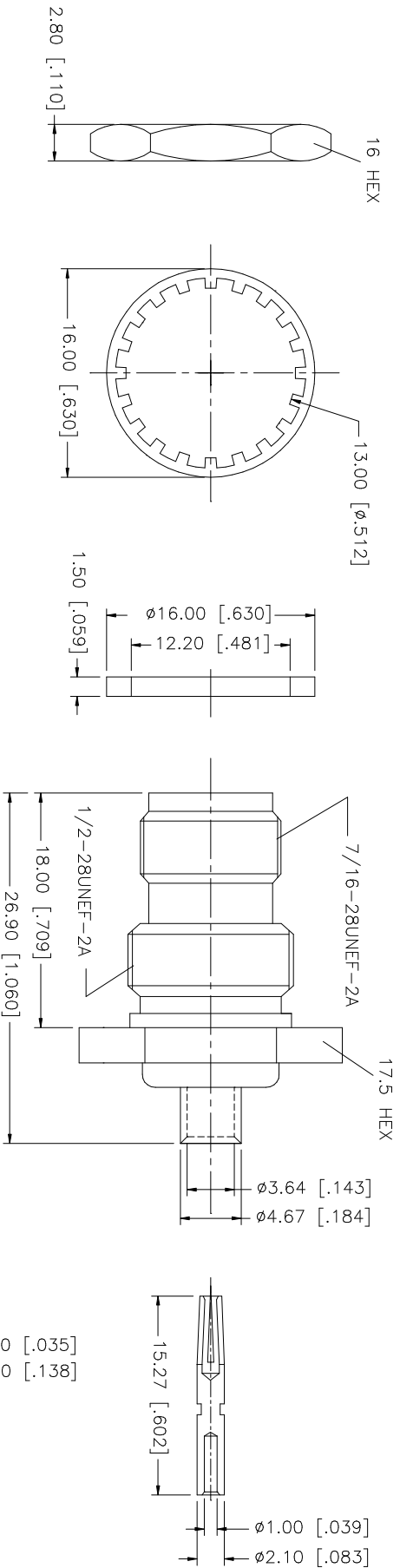
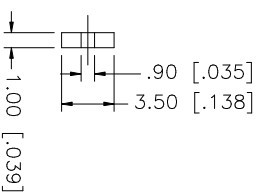


| REV. | DATE     | DESCRIPTION                       |
|------|----------|-----------------------------------|
| A    | 10/28/99 | MODIFY BODY AND CONTACT DIMS      |
| B    | 01/13/03 | ADD INSULATOR / UPDATE DIMENSIONS |



RECOMMENDED  
CABLE STRIPPING DIM'S



| QTY | FINISH  | MATERIAL     | DESCRIPTION |
|-----|---------|--------------|-------------|
| 1   | RED     | RUBBER       | GASKET      |
| 1   | NICKEL  | BRASS        | LOCK WASHER |
| 1   | NICKEL  | BRASS        | HEX NUT     |
| 1   | GOLD    | BRASS        | BARREL      |
| 1   | GOLD    | PHOS. BRONZE | CONTACT PIN |
| 2   | NATURAL | TEFLON       | INSULATOR   |
| 1   | GOLD    | BRASS        | REAR BODY   |
| 1   | NICKEL  | BRASS        | BODY        |
|     |         |              | DESCRIPTION |

| APPROVALS    | DATE     | DESCRIPTION  |
|--------------|----------|--|
| DRAWN G.R.S. | 01/13/03 | <p><b>Amphenol Connex</b></p> <p>TNC BULKHEAD DIRECT SOLDER JACK</p> <p>.141" SIMI RIGID CABLE</p> |
| CHECKED      |          |  |
| ISSUED       |          |  |
| SHEET 1 OF 1 |          | PART NO. 122401  |

| UNLESS OTHERWISE SPECIFIED DIMENSIONS ARE IN INCHES AND FOR CUSTOMER REFERENCE ONLY. |
|--|
| UNLESS OTHERWISE SPECIFIED TOLERANCES FOR MILLIMETERS ARE:                           |
| 0.5 - 8mm ± 0.20mm   |
| 8 - 30mm ± 0.40mm  |
| 30 - 120mm ± 0.50mm  |
| UNLESS OTHERWISE SPECIFIED TOLERANCES FOR INCHES ARE:                                |
| .020 - .315 = ± 0.007"   |
| .315 - 1.180 = ± 0.015"  |
| 1.180 - 4.724 = ± 0.020"   |
| DO NOT SCALE DRAWING   |

| CAD FILE          | DWG. NO.   | REV. | SIZE | SCALE |
|-------------------|------------|------|------|-------|
| C:/122/122401.DWG | 122401.DWG | B    | A    | NA    |

## X-ON Electronics

Largest Supplier of Electrical and Electronic Components

*Click to view similar products for [RF Connectors / Coaxial Connectors](#) category:*

*Click to view products by [Amphenol](#) manufacturer:*

Other Similar products are found below :

[8915-1511-000](#) [89674-0827](#) [6001-7071-019](#) [6002-7051-003](#) [6002-7551-202](#) [6059674-1](#) [619550-1](#) [630059-000](#) [M39030/3-01N](#) [M3933/25-36N](#) [6500-7071-046](#) [6769](#) [CX050L2AQ](#) [7002-1542-011](#) [7004-1512-000](#) [7009-1511-004](#) [7010-1511-000](#) [7029-1511-060](#) [7101-1541-010](#) [7101-1571-002](#) [7105-1521-002](#) [7145-1521-002](#) [7203-1571-003](#) [7209-1511-011](#) [7210-1511-015](#) [7210-1511-019](#) [73137-5015](#) [73216-2241](#) [7325-1512-000](#) [73404-2300](#) [7405-1521-005](#) [7405-1521-802](#) [7406-1521-005](#) [8527](#) [8547](#) [FS11V](#) [8808-1511-001](#) [9049-9513-000](#) [9074-9513-000](#) [9101-9573-002](#) [910A205F](#) [9130-9573-002](#) [PL11SC-026](#) [PL375-33](#) [PL40-5](#) [PL71-9](#) [PL74C-221](#) [PL75MC-217](#) [PL803-7](#) [980-8666-005](#)