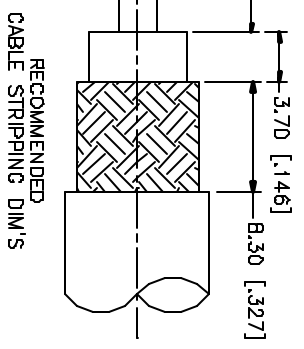
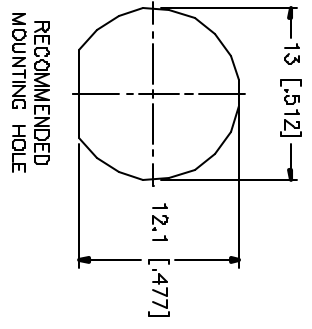
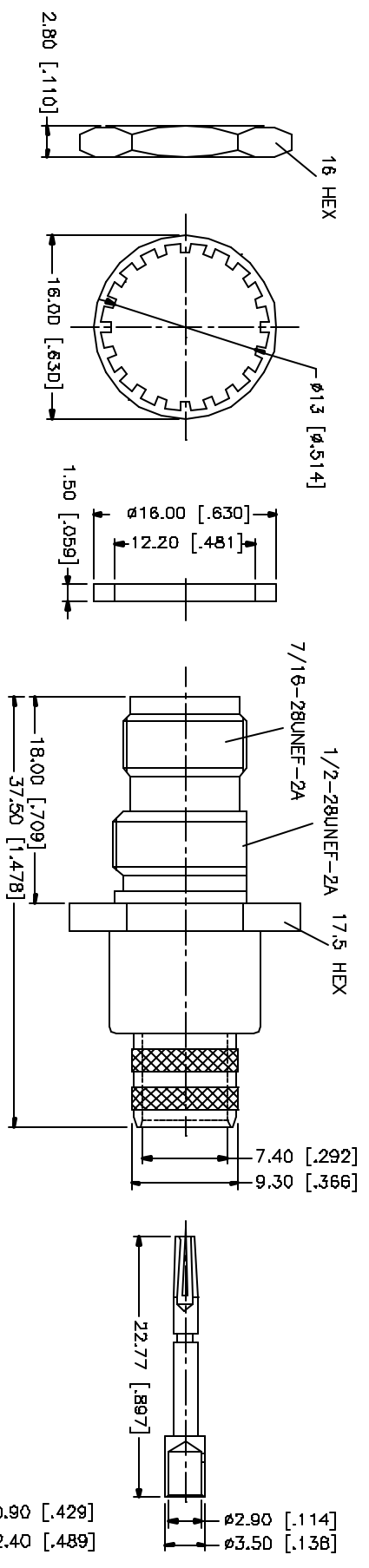


REV	DATE	DESCRIPTION
A	03/18/05	UPDATE DRAWING FORMAT



- CRIMP NOTES:
1. CRIMPED FERRULE  
HEX CRIMP SIZE .429"
  2. CRIMPED CONTACT PIN  
HEX CRIMP SIZE .118"

QTY	FINISH	MATERIAL	DESCRIPTION
1	NICKEL	COPPER	FERRULE
1	NICKEL	BRASS	HEX NUT
1	NICKEL	BRASS	LOCK WASHER
1	RED	SILICONE	GASKET
1	NICKEL	BRASS	BARREL
1	GOLD	PHOS. BRONZE	CONTACT PIN
1	NATURAL	TEFLON	INSULATOR
1	NICKEL	BRASS	BODY

APPROVALS	DATE
DRAWN G.R.S.	03/18/05
CHECKED	
REVISED	
SHEET 1 OF 1	

PART NO.	DWG. NO.	REV.	SIZE	SCALE
122405	122405.DWG	A	A	NA

APPROVALS	DATE
DRAWN G.R.S.	03/18/05
CHECKED	
REVISED	
SHEET 1 OF 1	

UNLESS OTHERWISE SPECIFIED DIMENSIONS ARE IN MILLIMETERS (DIMENSIONS IN [ ] ARE IN INCHES AND FOR REFERENCE PURPOSES ONLY.)

UNLESS OTHERWISE SPECIFIED TOLERANCES FOR DIMENSIONS ARE:

0.5 - 30mm ± 0.20mm  
 30 - 120mm ± 0.30mm  
 UNLESS OTHERWISE SPECIFIED TOLERANCES FOR FINISHES ARE:

.020 - .315 ± 0.003"  
 .315 - 1.180 ± 0.015"  
 1.180 - 4.724 ± 0.020"

DO NOT SCALE DRAWINGS

CDW FILE C:/1222/122405.DWG

**Amphenol Connex**

TNC BULKHEAD CRIMP JACK  
(FOR BELDEN 8214, 9913, 9914)

## X-ON Electronics

Largest Supplier of Electrical and Electronic Components

*Click to view similar products for [RF Connectors / Coaxial Connectors](#) category:*

*Click to view products by [Amphenol](#) manufacturer:*

Other Similar products are found below :

[8915-1511-000](#) [89674-0827](#) [6001-7071-019](#) [6002-7051-003](#) [6002-7551-202](#) [6059674-1](#) [619550-1](#) [630059-000](#) [M39030/3-01N](#) [M3933/25-36N](#) [6500-7071-046](#) [6769](#) [CX050L2AQ](#) [7002-1542-011](#) [7004-1512-000](#) [7009-1511-004](#) [7010-1511-000](#) [7029-1511-060](#) [7101-1541-010](#) [7101-1571-002](#) [7105-1521-002](#) [7145-1521-002](#) [7203-1571-003](#) [7209-1511-011](#) [7210-1511-015](#) [7210-1511-019](#) [73137-5015](#) [73216-2241](#) [7325-1512-000](#) [73404-2300](#) [7405-1521-005](#) [7405-1521-802](#) [7406-1521-005](#) [8527](#) [8547](#) [FS11V](#) [8808-1511-001](#) [9049-9513-000](#) [9074-9513-000](#) [9101-9573-002](#) [910A205F](#) [9130-9573-002](#) [PL11SC-026](#) [PL375-33](#) [PL40-5](#) [PL71-9](#) [PL74C-221](#) [PL75MC-217](#) [PL803-7](#) [980-8666-005](#)