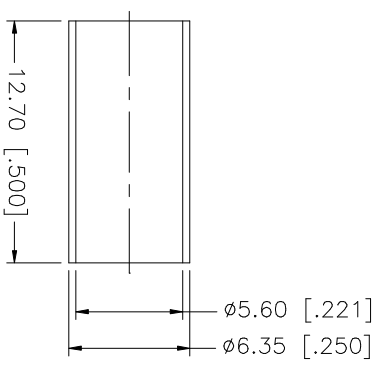
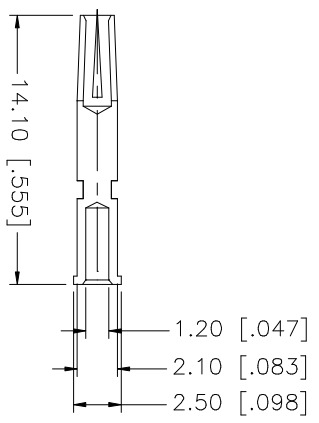
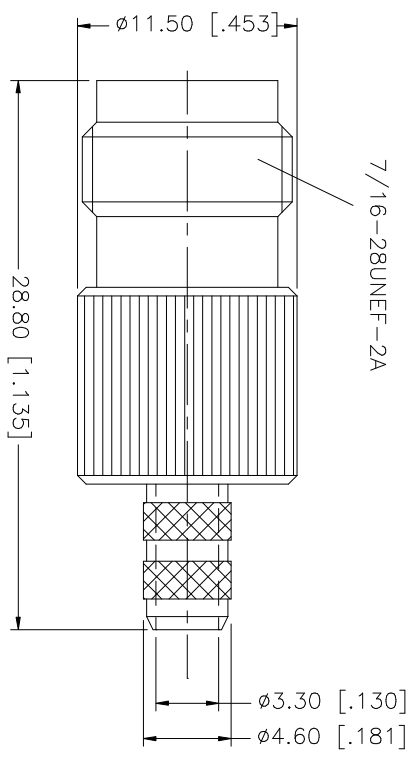
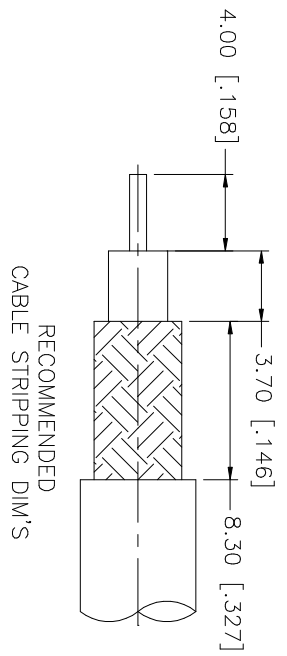


| REV. | DATE | DESCRIPTION |
|------|----------|-----------------------|
| NC | 07/28/98 | INITIAL RELEASE |
| A | 08/04/05 | UPDATE DRAWING FORMAT |



| NO. | DESCRIPTION | MATERIAL | FINISH | QTY | UNLESS OTHERWISE SPECIFIED DIMENSIONS ARE IN MILLIMETERS DIMENSIONS IN [] ARE IN INCHES AND FOR CUSTOMER REFERENCE ONLY. | UNLESS OTHERWISE SPECIFIED TOLERANCES FOR MILLIMETERS ARE: | UNLESS OTHERWISE SPECIFIED TOLERANCES FOR INCHES ARE: | APPROVALS | DATE | PART DESCRIPTION | |
|-------------|-------------|--------------|---------|-----|---|--|---|-----------|--------|---|----------|
| 8 | | | | | | | | | | <p>Amphenol Connex</p> <p>TNC CRIMP JACK (FOR LMR 200 CABLE)</p> <p>122412</p> | |
| 7 | | | | | | | | DRAWN | G.R.S. | | 08/04/05 |
| 6 | | | | | | | | CHECKED | | | |
| 5 | | | | | | | | ISSUED | | | |
| 4 | FERRULE | COPPER | NICKEL | 1 | | 0.5 - 8mm ± 0.20mm | 30 - 120mm ± 0.50mm | SHEET | 1 OF 1 | | |
| 3 | CONTACT PIN | PHOS. BRONZE | GOLD | 1 | | | | | | | |
| 2 | INSULATOR | TEFLON | NATURAL | 1 | | | | | | | |
| 1 | BODY | BRASS | NICKEL | 1 | | | | | | | |
| DESCRIPTION | | | | | DO NOT SCALE DRAWING | | | CAD FILE | | C:/122/122412.DWG | |
| | | | | | DWG. NO. | | 122412.DWG | | REV. | | A |
| | | | | | SIZE | | A | | SCALE | | NA |

X-ON Electronics

Largest Supplier of Electrical and Electronic Components

Click to view similar products for [RF Connectors / Coaxial Connectors](#) category:

Click to view products by [Amphenol](#) manufacturer:

Other Similar products are found below :

[8915-1511-000](#) [89674-0827](#) [6001-7071-019](#) [6002-7051-003](#) [6002-7551-202](#) [6059674-1](#) [619550-1](#) [630059-000](#) [M39030/3-01N](#) [M3933/25-36N](#) [6500-7071-046](#) [6769](#) [CX050L2AQ](#) [7002-1542-011](#) [7004-1512-000](#) [7009-1511-004](#) [7010-1511-000](#) [7029-1511-060](#) [7101-1541-010](#) [7101-1571-002](#) [7105-1521-002](#) [7145-1521-002](#) [7203-1571-003](#) [7209-1511-011](#) [7210-1511-015](#) [7210-1511-019](#) [73137-5015](#) [73216-2241](#) [7325-1512-000](#) [73404-2300](#) [7405-1521-005](#) [7405-1521-802](#) [7406-1521-005](#) [8527](#) [8547](#) [FS11V](#) [8808-1511-001](#) [9049-9513-000](#) [9074-9513-000](#) [9101-9573-002](#) [910A205F](#) [9130-9573-002](#) [PL11SC-026](#) [PL375-33](#) [PL40-5](#) [PL71-9](#) [PL74C-221](#) [PL75MC-217](#) [PL803-7](#) [980-8666-005](#)