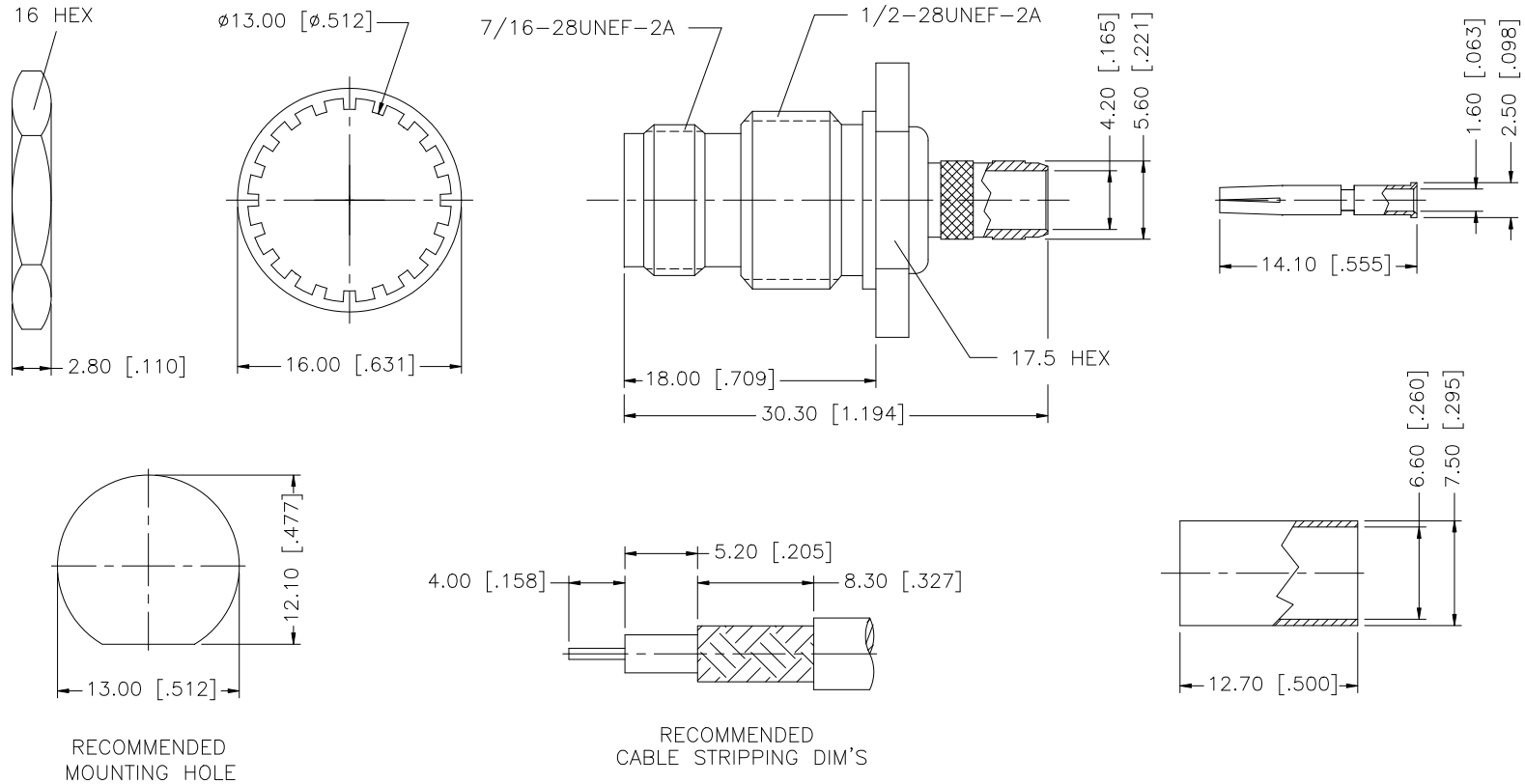


REV.	DATE	ECR NO.	DESCRIPTION
NC	08/18/98	-	INITIAL RELEASE
A	11/22/08	100059	INITIAL RELEASE



QTY	DESCRIPTION	MATERIAL	FINISH	DO NOT SCALE DRAWING	APPROVALS	DATE	Amphenol Connex							
8	FERRULE	COPPER	NICKEL	1	DRAWN	GRS	11/22/08	PART DESCRIPTION <b>TNC BULKHEAD CRIMP JACK - LMR 240</b>						
7	HEX NUT	BRASS	NICKEL	1	CHECKED		PART NO. 122415							
6	LOCK WASHER	BRASS	NICKEL	1	ISSUED		DWG. NO. 122415.DWG							
5	GASKET	SILICONE	RED	1	SHEET	1 OF 1	REV. A							
4	CONTACT PIN	PHOS. BRONZE	GOLD	1	CAD FILE	C:/122/122415.DWG	SIZE A							
3	INSULATOR	PTFE	NATURAL	1			SCALE NA							
2	BODY	BRASS	NICKEL	1										
1	HOUSING	BRASS	NICKEL	1										
UNLESS OTHERWISE SPECIFIED DIMENSIONS ARE IN MILLIMETERS. DIMENSIONS IN [ ] ARE IN INCHES AND FOR CUSTOMER REFERENCE ONLY.														
UNLESS OTHERWISE SPECIFIED TOLERANCES FOR MILLIMETERS ARE: 0.5 - 8mm $\pm 0.20$ mm 8 - 30mm $\pm 0.40$ mm 30 - 120mm $\pm 0.50$ mm														
UNLESS OTHERWISE SPECIFIED TOLERANCES FOR INCHES ARE: .020 - .315 $\pm 0.007$ " .315 - 1.180 $\pm 0.015$ " 1.180 - 4.724 $\pm 0.020$ "														

## X-ON Electronics

Largest Supplier of Electrical and Electronic Components

*Click to view similar products for [RF Connectors / Coaxial Connectors](#) category:*

*Click to view products by [Amphenol](#) manufacturer:*

Other Similar products are found below :

[8915-1511-000](#) [89674-0827](#) [6001-7071-019](#) [6002-7051-003](#) [6002-7551-202](#) [6059674-1](#) [619550-1](#) [630059-000](#) [M39030/3-01N](#) [M3933/25-36N](#) [6500-7071-046](#) [6769](#) [CX050L2AQ](#) [7002-1542-011](#) [7004-1512-000](#) [7009-1511-004](#) [7010-1511-000](#) [7029-1511-060](#) [7101-1541-010](#) [7101-1571-002](#) [7105-1521-002](#) [7145-1521-002](#) [7203-1571-003](#) [7209-1511-011](#) [7210-1511-015](#) [7210-1511-019](#) [73137-5015](#) [73216-2241](#) [7325-1512-000](#) [73404-2300](#) [7405-1521-005](#) [7405-1521-802](#) [7406-1521-005](#) [8527](#) [8547](#) [FS11V](#) [8808-1511-001](#) [9049-9513-000](#) [9074-9513-000](#) [9101-9573-002](#) [910A205F](#) [9130-9573-002](#) [PL11SC-026](#) [PL375-33](#) [PL40-5](#) [PL71-9](#) [PL74C-221](#) [PL75MC-217](#) [PL803-7](#) [980-8666-005](#)