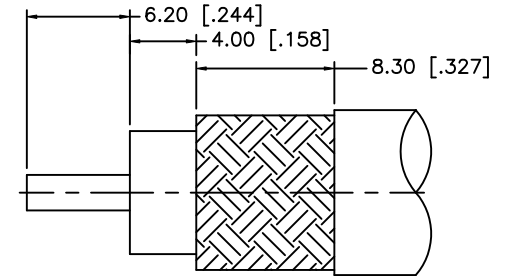
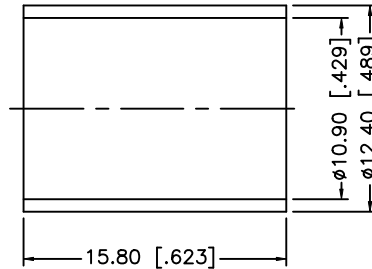
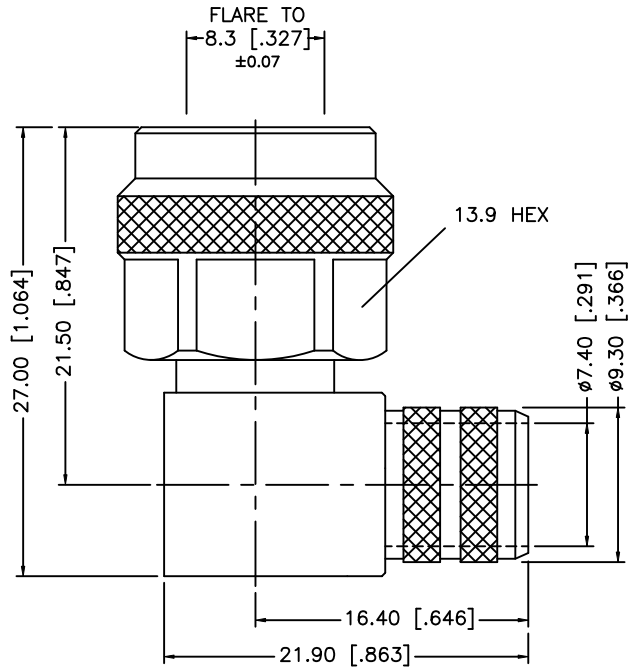
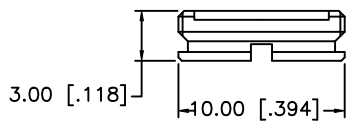


REV.	DATE	ECR NO.	DESCRIPTION
NC	01/26/06	-	INITIAL RELEASE
A	08/04/08	-	REVISE PART DESCRIPTION FROM "JACK" TO "PLUG"



RECOMMENDED
CABLE STRIPPING DIM'S



NOTES:

1. CRIMPED FERRULE HEX CRIMP SIZE.429"
2. CONTACT PIN TO SOLDER
3. SHELL MUST WITHSTAND A 60 IN-LBS. MIN. TORQUE.

				UNLESS OTHERWISE SPECIFIED DIMENSIONS ARE IN MILLIMETERS. DIMENSIONS IN [] ARE IN INCHES AND FOR CUSTOMER REFERENCE ONLY.	APPROVALS	DATE	<h1 style="text-align: center;">Amphenol Connex</h1>								
8					DRAWN	GRS					08/04/08	<p style="text-align: center;">TNC R/A CRIMP PLUG – HEX COUPLING NUT (FOR BELDEN 9913, 9914)</p>			
7					CHECKED			<p style="text-align: center;">PART NO. 122416-10</p>							
6	COVER	BRASS	NICKEL	1	ISSUED										
5	FERRULE	COPPER	NICKEL	1	SHEET	1 OF 1		<p style="text-align: center;">DO NOT SCALE DRAWING C:/122/122416-10.DWG</p>							
4	GASKET	RUBBER	RED	1											
3	CONTACT PIN	BRASS	GOLD	1											
2	INSULATOR	PTFE	NATURAL	1											
1	HOUSING/BODY	BRASS	NICKEL	1											
	DESCRIPTION	MATERIAL	FINISH	QTY											

UNLESS OTHERWISE SPECIFIED DIMENSIONS ARE IN MILLIMETERS. DIMENSIONS IN [] ARE IN INCHES AND FOR CUSTOMER REFERENCE ONLY.

UNLESS OTHERWISE SPECIFIED TOLERANCES FOR MILLIMETERS ARE:
0.5 - 8mm ± 0.20mm
8 - 30mm ± 0.40mm
30 - 120mm ± 0.50mm

UNLESS OTHERWISE SPECIFIED TOLERANCES FOR INCHES ARE:
.020 - .315 = ± 0.007"
.315 - 1.180 = ± 0.015"
1.180 - 4.724 = ± 0.020"

APPROVALS	DATE
DRAWN GRS	08/04/08
CHECKED	
ISSUED	
SHEET 1 OF 1	
CAD FILE	C:/122/122416-10.DWG

PART DESCRIPTION			
TNC R/A CRIMP PLUG – HEX COUPLING NUT (FOR BELDEN 9913, 9914)			
PART NO.			
122416-10			
DWG. NO.	REV.	SIZE	SCALE
122416-10.DWG	A	A	NA

X-ON Electronics

Largest Supplier of Electrical and Electronic Components

Click to view similar products for [RF Connectors / Coaxial Connectors](#) category:

Click to view products by [Amphenol](#) manufacturer:

Other Similar products are found below :

[8915-1511-000](#) [89674-0827](#) [6001-7071-019](#) [6002-7051-003](#) [6002-7551-202](#) [6059674-1](#) [619550-1](#) [630059-000](#) [M39030/3-01N](#) [M3933/25-36N](#) [6500-7071-046](#) [6769](#) [CX050L2AQ](#) [7002-1542-011](#) [7004-1512-000](#) [7009-1511-004](#) [7010-1511-000](#) [7029-1511-060](#) [7101-1541-010](#) [7101-1571-002](#) [7105-1521-002](#) [7145-1521-002](#) [7203-1571-003](#) [7209-1511-011](#) [7210-1511-015](#) [7210-1511-019](#) [73137-5015](#) [73216-2241](#) [7325-1512-000](#) [73404-2300](#) [7405-1521-005](#) [7405-1521-802](#) [7406-1521-005](#) [8527](#) [8547](#) [FS11V](#) [8808-1511-001](#) [9049-9513-000](#) [9074-9513-000](#) [9101-9573-002](#) [910A205F](#) [9130-9573-002](#) [PL11SC-026](#) [PL375-33](#) [PL40-5](#) [PL71-9](#) [PL74C-221](#) [PL75MC-217](#) [PL803-7](#) [980-8666-005](#)