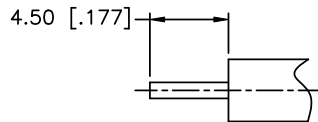


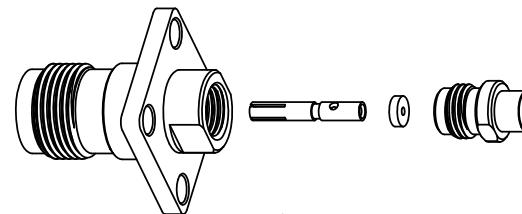
NOTES:

1. ELECTRICAL:
 - A. IMPEDANCE: 50 OHM
 - B. DIELECTRIC WITHSTANDING VOLTAGE:1500 VRMS. MIN.
2. MECHANICAL:
 - A. DURABILITY:500 CYCLES MIN.
 - B. TEMPERATURE RANGE:-65°C TO +165°C
3. CONTACT PIN TO SOLDER

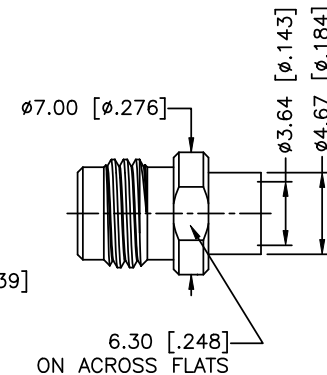
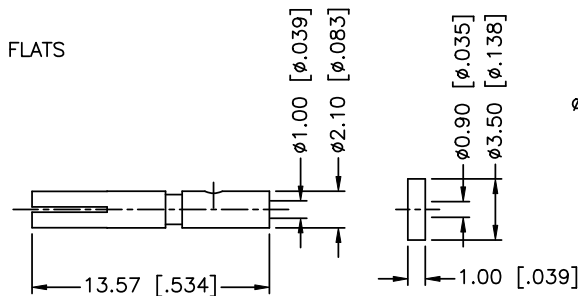
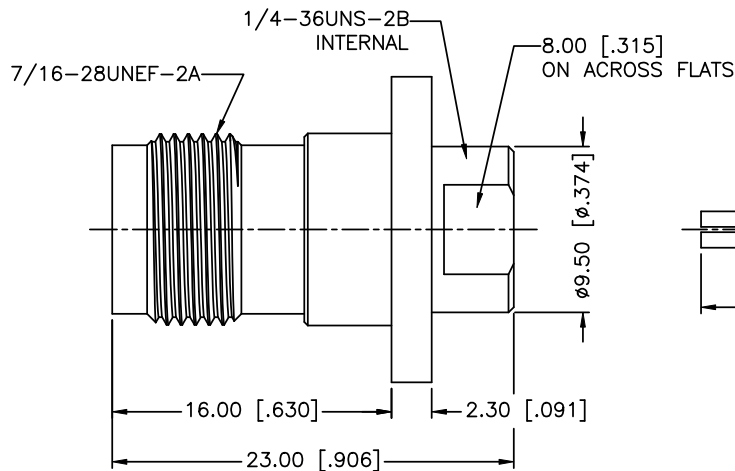
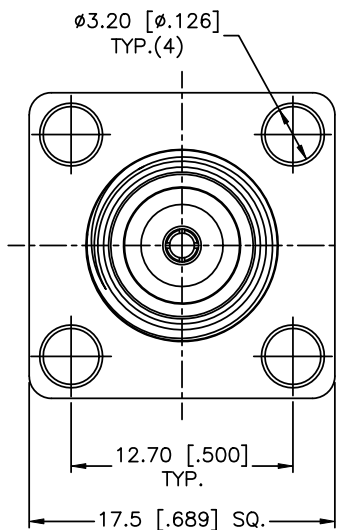
REV.	DATE	ECR NO.	DESCRIPTION
NC	03/06/03	XXXXXX	INITIAL RELEASE
A	01/24/06	XXXXXX	ADD 50 OHM TO DESCRIPTION/UPDATE DRAWING FORMAT
B	12/03/08	100062	REVISE CABLE STRIPPING TO 4.5/CONTACT PIN TO 13.75
C	02/25/13	2452	CORRECT MINOR DIMENSIONAL ERRORS, SHOW CONTACT CAPTIVATION NOTCH, UPDATE DRAWING FORMAT



RECOMMENDED
CABLE STRIPPING DIM'S



SCALE 1.000



QTY	DESCRIPTION	MATERIAL	FINISH
1	HOUSING	BRASS	NICKEL
1	BODY	BRASS	NICKEL
2	INSULATOR	PTFE	NATURAL
1	CONTACT PIN	PHOSPHOR BRONZE	GOLD
1	SOLDER NUT	BRASS	GOLD

UNLESS OTHERWISE SPECIFIED DIMENSIONS ARE IN MILLIMETERS. DIMENSIONS IN [] ARE IN INCHES AND FOR CUSTOMER REFERENCE ONLY.

UNLESS OTHERWISE SPECIFIED TOLERANCES FOR MILLIMETERS ARE:
 0.5 - 8mm ± 0.20mm
 8 - 30mm ± 0.40mm
 30 - 120mm ± 0.50mm

UNLESS OTHERWISE SPECIFIED TOLERANCES FOR INCHES ARE:
 .020 - .315 = ± 0.007"
 .315 - 1.180 = ± 0.015"
 1.180 - 4.724 = ± 0.020"

DO NOT SCALE DRAWING

APPROVALS	DATE
DRAWN T.DENG	02/25/13
CHECKED	
ISSUED	
SHEET 1 OF 1	
CAD FILE C:/CONNEX/122419.DWG	

Amphenol Connex

PART DESCRIPTION
**TNC PANEL DIRECT SOLDER JACK
 (FOR .141" SEMI RIGID CABLE)**

PART NO. **122419**

DWG. NO. 122419.DWG REV. C SIZE A SCALE NA

X-ON Electronics

Largest Supplier of Electrical and Electronic Components

Click to view similar products for [RF Connectors / Coaxial Connectors](#) category:

Click to view products by [Amphenol](#) manufacturer:

Other Similar products are found below :

[8915-1511-000](#) [89674-0827](#) [6001-7071-019](#) [6002-7051-003](#) [6002-7551-202](#) [6059674-1](#) [619550-1](#) [630059-000](#) [M39030/3-01N](#) [6500-7071-046](#) [6769](#) [CX050L2AQ](#) [7002-1542-011](#) [7004-1512-000](#) [7009-1511-004](#) [7010-1511-000](#) [7029-1511-060](#) [7101-1541-010](#) [7101-1571-002](#) [7105-1521-002](#) [7145-1521-002](#) [7203-1571-003](#) [7209-1511-011](#) [7210-1511-015](#) [7210-1511-019](#) [73137-5015](#) [73216-2241](#) [7325-1512-000](#) [73404-2300](#) [7405-1521-005](#) [7405-1521-802](#) [7406-1521-005](#) [8527](#) [8547](#) [FS11V](#) [8808-1511-001](#) [9049-9513-000](#) [9074-9513-000](#) [9101-9573-002](#) [910A205F](#) [9130-9573-002](#) [PL11SC-026](#) [PL375-33](#) [PL40-5](#) [PL71-9](#) [PL74C-221](#) [PL75MC-217](#) [PL803-7](#) [980-8666-005](#) [1200690078](#)