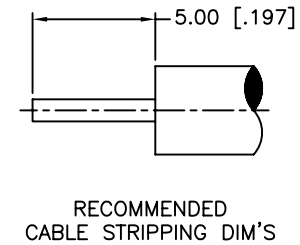
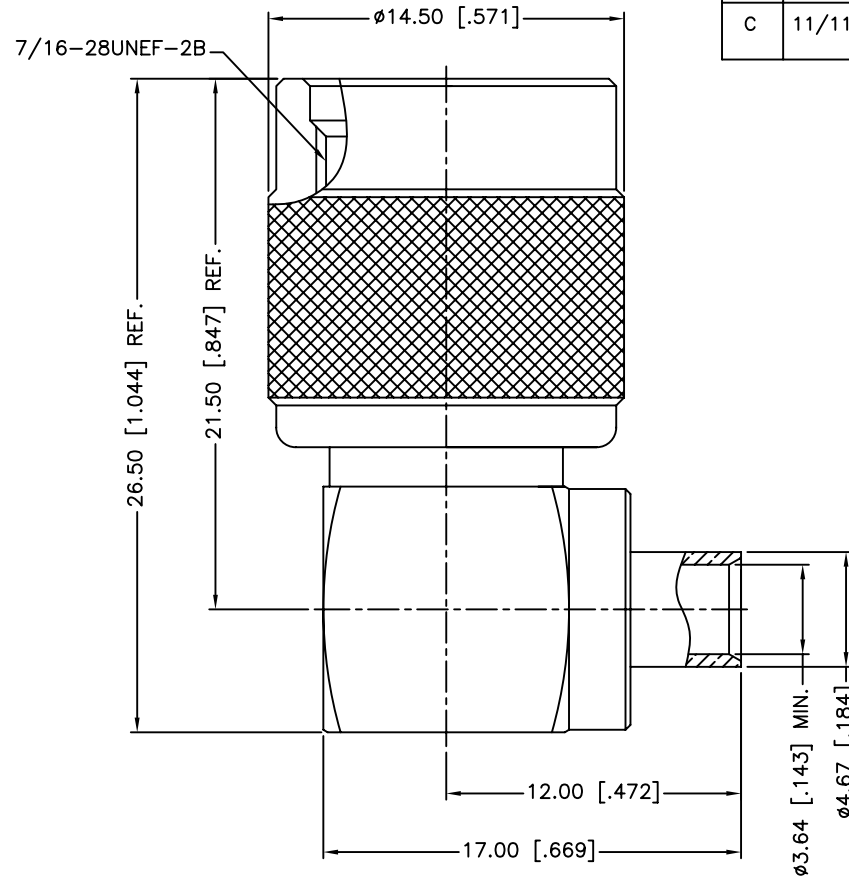
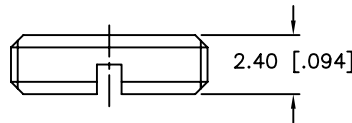


REV.	DATE	ECR NO.	DESCRIPTION
NC	10/25/02	XXXXXX	INITIAL RELEASE
A	11/26/03	XXXXXX	UPDATE DRAWING FORMAT
B	03/18/04	XXXXXX	ADD COUPLING NUT UNDER PART DESCRIPTION
C	11/11/13	2552	REMOVE "STAMP CONNEX" COMMENT, ADD ELECTRICAL/MECHANICAL NOTES, UPDATE FORMAT



1. IMPEDANCE: 50 OHM
2. FREQUENCY RANGE: 0-11 GHZ
3. DIELECTRIC WITHSTANDING VOLTAGE: 1500 VRMS, MIN.
4. DURABILITY: 500 CYCLES MIN.
5. TEMPERATURE RANGE: -40°C TO +85°C



QTY	DESCRIPTION	MATERIAL	FINISH	QTY
1	SHELL	BRASS	NICKEL	1
2	BODY	BRASS	NICKEL	1
3	BARREL	BRASS	GOLD	1
4	INSULATOR	PTFE	NATURAL	1
4	CONTACT PIN	BRASS	GOLD	1
5	CONTACT PIN	BRASS	GOLD	1
6	GASKET	SILICONE RUBBER	RED	1
7	RETAINER RING	BRASS	NICKEL	1
8	RING	DELRIIN	NATURAL	1
9	WASHER	BRASS	NICKEL	1
10	NUT	BRASS	NICKEL	1

UNLESS OTHERWISE SPECIFIED DIMENSIONS ARE IN MILLIMETERS. DIMENSIONS IN [ ] ARE IN INCHES AND FOR CUSTOMER REFERENCE ONLY.  
UNLESS OTHERWISE SPECIFIED  
TOLERANCES FOR MILLIMETERS ARE:  
<0.5 ± 0.05mm  
0.5 - 6mm ± 0.10mm  
6 - 30mm ± 0.20mm  
30 - 120mm ± 0.30mm  
ANGLES ± 1°  
UNLESS OTHERWISE SPECIFIED  
TOLERANCES FOR INCHES ARE:  
<.020 ± 0.002"  
.020 - .236 ± 0.004"  
.236 - 1.180 ± 0.007"  
1.180 - 4.724 ± 0.012"  
ANGLES ± 1°

DO NOT SCALE DRAWING

APPROVALS	DATE
DRAWN M.ZHANG	11/11/13
CHECKED	
ISSUED	
SHEET 1 OF 1	
CAD FILE	C:/CONNEX/122422.DWG

# Amphenol Connex

PART DESCRIPTION			
TNC R/A DIRECT SOLDER PLUG (FOR .141" SEMI RIGID CABLE)			
PART NO.			
122422			
DWG. NO.	REV.	SIZE	SCALE
122422.DWG	C	A	NA

## X-ON Electronics

Largest Supplier of Electrical and Electronic Components

*Click to view similar products for [RF Connectors / Coaxial Connectors](#) category:*

*Click to view products by [Amphenol](#) manufacturer:*

Other Similar products are found below :

[8915-1511-000](#) [89674-0827](#) [6001-7071-019](#) [6002-7051-003](#) [6002-7551-202](#) [6059674-1](#) [619550-1](#) [630059-000](#) [M39030/3-01N](#) [M3933/25-36N](#) [6500-7071-046](#) [6769](#) [CX050L2AQ](#) [7002-1542-011](#) [7004-1512-000](#) [7009-1511-004](#) [7010-1511-000](#) [7029-1511-060](#) [7101-1541-010](#) [7101-1571-002](#) [7105-1521-002](#) [7145-1521-002](#) [7203-1571-003](#) [7209-1511-011](#) [7210-1511-015](#) [7210-1511-019](#) [73137-5015](#) [73216-2241](#) [7325-1512-000](#) [73404-2300](#) [7405-1521-005](#) [7405-1521-802](#) [7406-1521-005](#) [8527](#) [8547](#) [FS11V](#) [8808-1511-001](#) [9049-9513-000](#) [9074-9513-000](#) [9101-9573-002](#) [910A205F](#) [9130-9573-002](#) [PL11SC-026](#) [PL375-33](#) [PL40-5](#) [PL71-9](#) [PL74C-221](#) [PL75MC-217](#) [PL803-7](#) [980-8666-005](#)