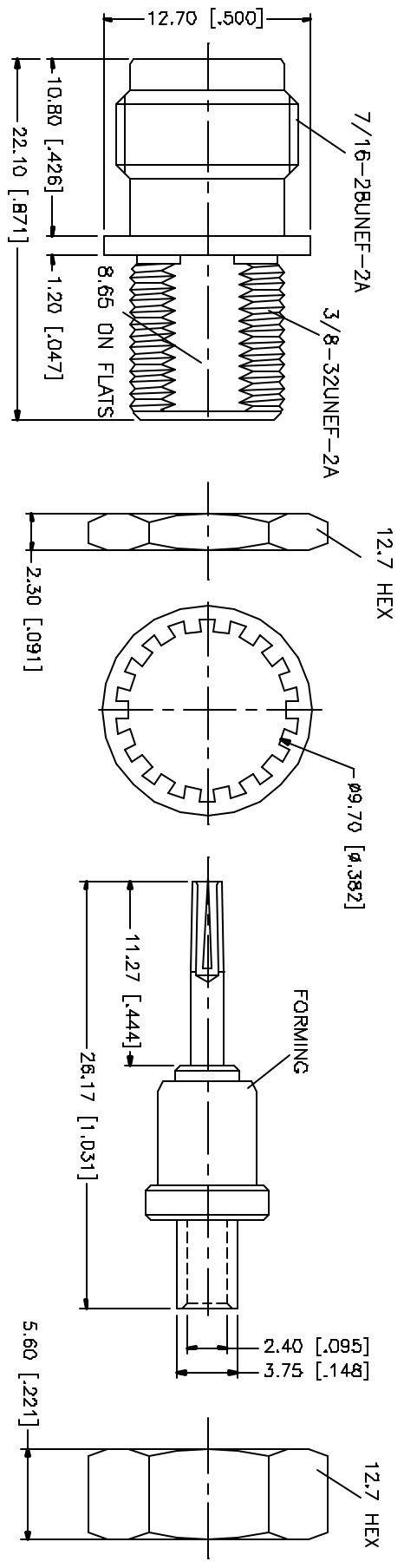
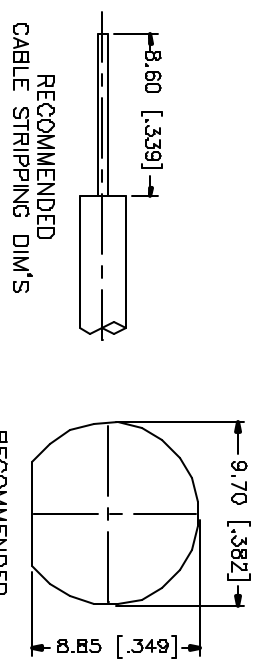


REV.	DATE	DESCRIPTION
A	12/28/04	MODIFY PART DESCRIPTION / UPDATE DRAWING FORMAT



NOTES:
 1. CONTACT PIN TO SOLDER
 2. MAX PANEL THICKNESS = 4.8mm

Amphenol Connex

PART DESCRIPTION
TNC BULKHEAD DIRECT SOLDER JACK
 (FOR .085" SEMI RIGID CABLE)

PART NO. **122469**

QTY	FINISH	MATERIAL	DESCRIPTION
1	NICKEL	BRASS	INSULATOR BODY
1	NATURAL	TEFLON	INSULATOR
1	DOLO	PHOS. BRONZE	CONTACT PIN
1	NICKEL	BRASS	WASHER
1	NICKEL	BRASS	BARREL
2	NICKEL	BRASS	HEX NUT

PLEASE CONTACT AMPHENOL CONNECTIONS INC. IN ALL COUNTRIES. DIMENSIONS SHOWN IN [] ARE IN INCHES AND THE CUSTOMER REMAINS SOLELY RESPONSIBLE FOR ALL DIMENSIONS. TOLERANCES FOR ALL DIMENSIONS ARE:
 A - 8mm ± 0.20mm
 B - 30mm ± 0.40mm
 C - 120mm ± 0.50mm
 UNLESS OTHERWISE SPECIFIED, TOLERANCES FOR ALL DIMENSIONS ARE:
 .020 - .315 = ± 0.007"
 .315 - 1.180 = ± 0.015"
 1.180 - 4.724 = ± 0.020"

DO NOT SCALE DRAWING

APPROVALS	DATE
DRAWN G.R.S.	12/28/04
CHECKED	
ISSUED	
SHEET 1 OF 1	

DWG. NO.	REV.	SIZE	SCALE
122469.DWG	A	A	NA

X-ON Electronics

Largest Supplier of Electrical and Electronic Components

Click to view similar products for [RF Connectors / Coaxial Connectors](#) category:

Click to view products by [Amphenol](#) manufacturer:

Other Similar products are found below :

[8915-1511-000](#) [89674-0827](#) [6001-7071-019](#) [6002-7051-003](#) [6002-7551-202](#) [6059674-1](#) [619550-1](#) [630059-000](#) [M39030/3-01N](#) [M3933/25-36N](#) [6500-7071-046](#) [6769](#) [CX050L2AQ](#) [7002-1542-011](#) [7004-1512-000](#) [7009-1511-004](#) [7010-1511-000](#) [7029-1511-060](#) [7101-1541-010](#) [7101-1571-002](#) [7105-1521-002](#) [7145-1521-002](#) [7203-1571-003](#) [7209-1511-011](#) [7210-1511-015](#) [7210-1511-019](#) [73137-5015](#) [73216-2241](#) [7325-1512-000](#) [73404-2300](#) [7405-1521-005](#) [7405-1521-802](#) [7406-1521-005](#) [8527](#) [8547](#) [FS11V](#) [8808-1511-001](#) [9049-9513-000](#) [9074-9513-000](#) [9101-9573-002](#) [910A205F](#) [9130-9573-002](#) [PL11SC-026](#) [PL375-33](#) [PL40-5](#) [PL71-9](#) [PL74C-221](#) [PL75MC-217](#) [PL803-7](#) [980-8666-005](#)