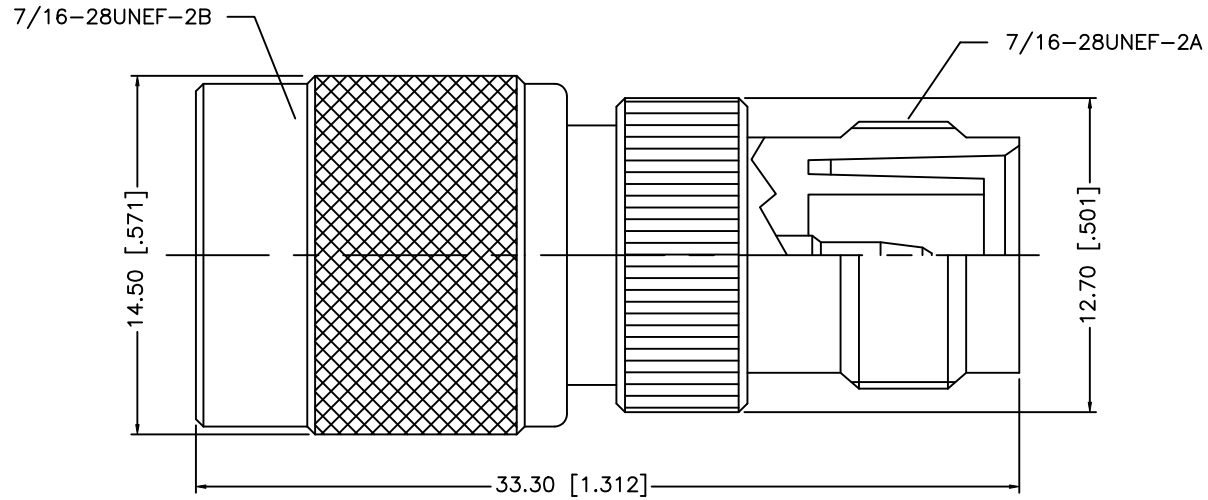


| REV. | DATE | ECR NO. | DESCRIPTION |
|------|----------|---------|---|
| NC | 11/10/04 | - | INITIAL RELEASE |
| A | 08/09/08 | - | REVISE PART DESCRIPTION FROM "PLUG" TO "JACK" |



| | | | | | | | | | | |
|---|-------------|--------------|---------|---------|---|-----------|------------------------|---|--|--|
| 8 | | | | | <small>UNLESS OTHERWISE SPECIFIED DIMENSIONS ARE IN MILLIMETERS. DIMENSIONS IN [] ARE IN INCHES AND FOR CUSTOMER REFERENCE ONLY.</small> <small>UNLESS OTHERWISE SPECIFIED TOLERANCES FOR MILLIMETERS ARE: 0.5 - 8mm ± 0.20mm 8 - 30mm ± 0.40mm 30 - 120mm ± 0.50mm</small> <small>UNLESS OTHERWISE SPECIFIED TOLERANCES FOR INCHES ARE: .020 - .315 = ± 0.007" .315 - 1.180 = ± 0.015" 1.180 - 4.724 = ± 0.020"</small> | APPROVALS | DATE | <h1 style="color: blue;">Amphenol Connex</h1> | | |
| 7 | | | | DRAWN | | GRS | 08/09/08 | | | |
| 6 | | | | CHECKED | | | | PART DESCRIPTION TNC PLUG TO TNC REVERSE POLARITY JACK ADAPTER | | |
| 5 | | | | ISSUED | | | | | | |
| 4 | | | | SHEET | | 1 OF 1 | | | | |
| 3 | CONTACT PIN | PHOS. BRONZE | GOLD | 1 | DWG. NO. 122498RP-10.DWG | | | | | |
| 2 | INSULATOR | PTFE | NATURAL | 1 | | | | REV. A SIZE A SCALE NA | | |
| 1 | BODY | BRASS | NICKEL | 1 | | | | | | |
| | DESCRIPTION | MATERIAL | FINISH | QTY | DO NOT SCALE DRAWING | | C:/122/122498RP-10.DWG | | | |

X-ON Electronics

Largest Supplier of Electrical and Electronic Components

Click to view similar products for [RF Adapters - Between Series category:](#)

Click to view products by [Amphenol manufacturer:](#)

Other Similar products are found below :

[5945-9503-000](#) [MCX/F-SMA/M](#) [R192417010](#) [ADBJ20-E1-BJ379](#) [ADM2](#) [ADPL75-A1-PL75](#) [242191](#) [9317505](#) [AD130](#) [ADBJ20-E1-PL74](#)
[ADBJ20-E2-BJ79](#) [ADBJ77-E1-UPL20](#) [ADRMF370](#) [242190](#) [242215](#) [242228](#) [R125680000W](#) [R192430000](#) [UAD95](#) [1057367-1](#) [8311505](#)
[R114704000](#) [R451034500](#) [R451030500](#) [R451543000](#) [HDVDPN](#) [ADBJ20-K1-PL20](#) [R451570000](#) [R192419000](#) [R451034000](#) [J9](#) [J3WE-5](#)
[R451032500](#) [242201RP](#) [17K132-K00S5](#) [03K719-S22S3](#) [AD-RSMAF-RTNC](#) [53K156-K00N5](#) [53K160-KIMN1](#) [29S132-K01N5](#) [53S156-](#)
[K00N5](#) [02S119-S00E3](#) [28K132-K00N5](#) [02S109-K00S3](#) [27-8200TP](#) [242235](#) [ADBJ20-E1-BJ89](#) [ADP-SMAF-MMCXM](#) [000-2900](#) [321-102-](#)
[003 \(SMA-50/2-H155/W1.03 AU\)](#)