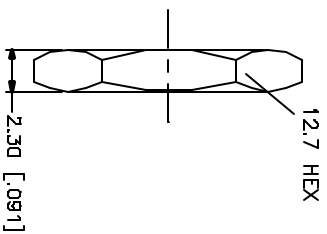
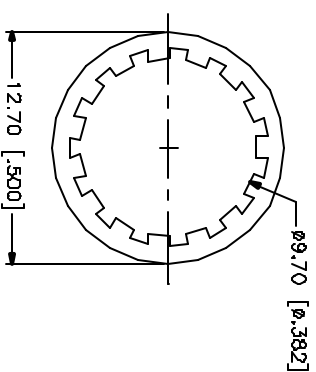
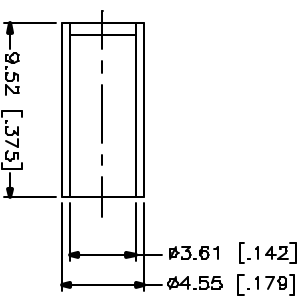
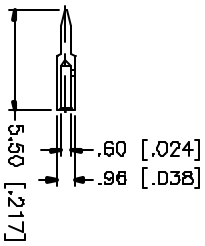
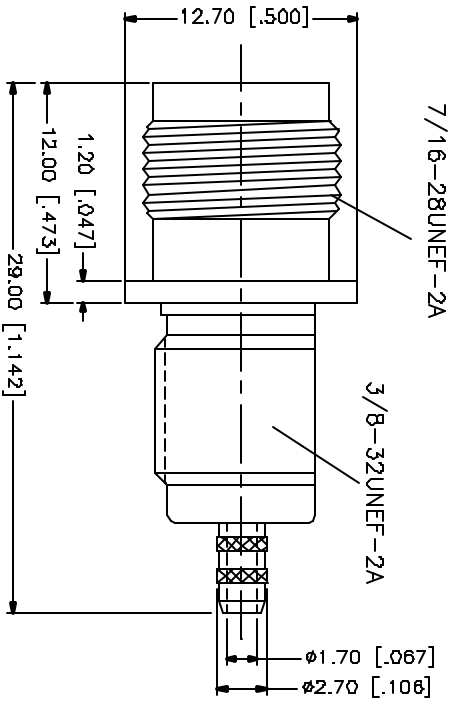
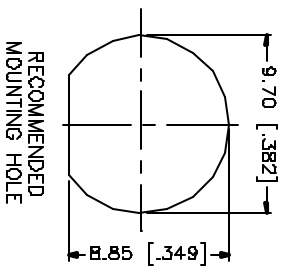
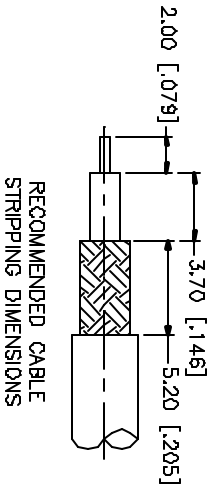


REV.	DATE	DESCRIPTION
NC	02/02/05	INITIAL RELEASE



CRIMP NOTES:

1. CRIMPED CONTACT PIN
HEX CRIMP SIZE ".151"
2. CONTACT PIN TO SOLDER
3. MAX. PANEL THICKNESS = 7 mm

DESCRIPTION	MATERIAL	FINISH	QTY	DO NOT SCALE DRAWING	APPROVALS	DATE	DWG. NO.	REV.	SIZE	SCALE
HEX NUT	BRASS	NICKEL	1		DRAWN G.R.S.	02/02/05	122501.DWG	NC	A	NA
LOCK WASHER	BRASS	NICKEL	1							
FERRULE	COPPER	NICKEL	1		CHECKED					
CONTACT PIN	PHOS. BRONZE	GOLD	1		ISSUED					
INSULATOR BODY	TEFLON BRASS	NATURAL NICKEL	1		SHEET 1 OF 1					
PART DESCRIPTION TNC BULKHEAD CRIMP JACK FRONT MOUNT (FOR RG-316U/D CABLE) PART NO. 122501					Amphenol Connex					
PART NO. 122501.DWG					DWG. NO. 122501.DWG					

UNLESS OTHERWISE SPECIFIED, DIMENSIONS ARE IN MILLIMETERS, ANGLES IN DEGREES, AND TOLERANCES UNLESS OTHERWISE SPECIFIED, SHALL BE AS FOLLOWS:
 HOLE DIMENSIONS: FRACTIONS
 0.5 - 3.0mm ± 0.20mm
 3.0 - 12.0mm ± 0.40mm
 12.0 - 30.0mm ± 0.50mm
 UNLESS OTHERWISE SPECIFIED, DIMENSIONS ARE IN INCHES AND TOLERANCES SHALL BE AS FOLLOWS:
 0.250 - 0.315 = ± 0.007"
 0.315 - 1.180 = ± 0.015"
 1.180 - 4.724 = ± 0.020"

X-ON Electronics

Largest Supplier of Electrical and Electronic Components

Click to view similar products for [RF Connectors / Coaxial Connectors](#) category:

Click to view products by [Amphenol](#) manufacturer:

Other Similar products are found below :

[8915-1511-000](#) [89674-0827](#) [6001-7071-019](#) [6002-7051-003](#) [6002-7551-202](#) [6059674-1](#) [619550-1](#) [630059-000](#) [M39030/3-01N](#) [6500-7071-046](#) [6769](#) [CX050L2AQ](#) [7002-1542-011](#) [7004-1512-000](#) [7009-1511-004](#) [7010-1511-000](#) [7029-1511-060](#) [7101-1541-010](#) [7101-1571-002](#) [7105-1521-002](#) [7145-1521-002](#) [7203-1571-003](#) [7209-1511-011](#) [7210-1511-015](#) [7210-1511-019](#) [73137-5015](#) [73216-2241](#) [7325-1512-000](#) [73404-2300](#) [7405-1521-005](#) [7405-1521-802](#) [7406-1521-005](#) [8527](#) [8547](#) [FS11V](#) [8808-1511-001](#) [9049-9513-000](#) [9074-9513-000](#) [9101-9573-002](#) [910A205F](#) [9130-9573-002](#) [PL11SC-026](#) [PL375-33](#) [PL40-5](#) [PL71-9](#) [PL74C-221](#) [PL75MC-217](#) [PL803-7](#) [980-8666-005](#) [1200690078](#)