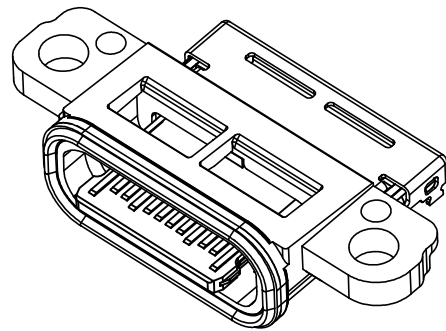
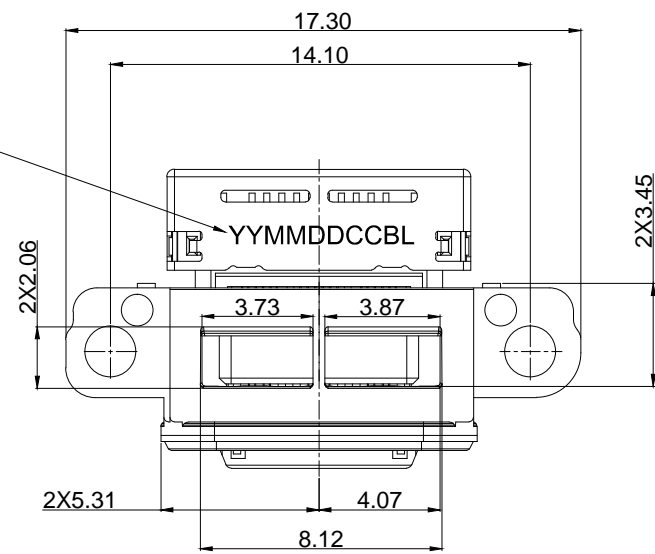


REV	ECN.NO.	MODIFY.CONTENT	DATE
A		NEW RELEASE	2018.10.30
B		Update	2018.12.27

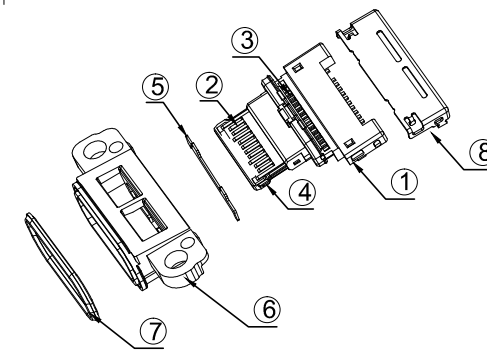
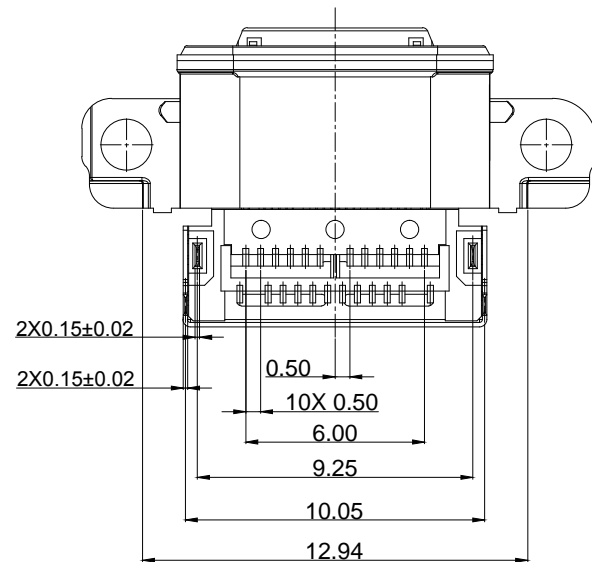
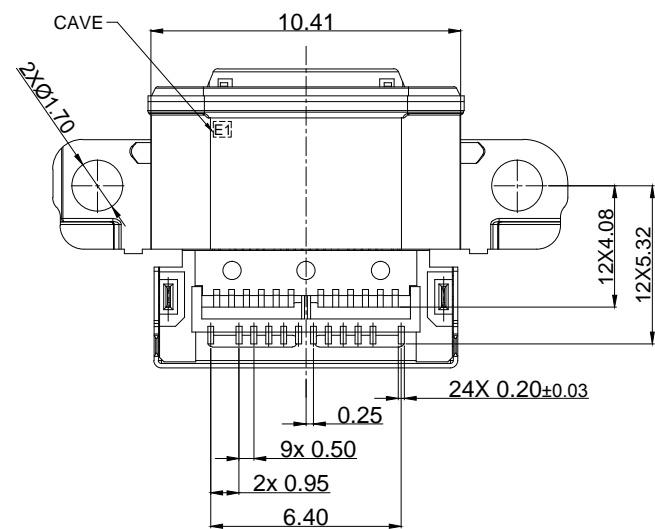
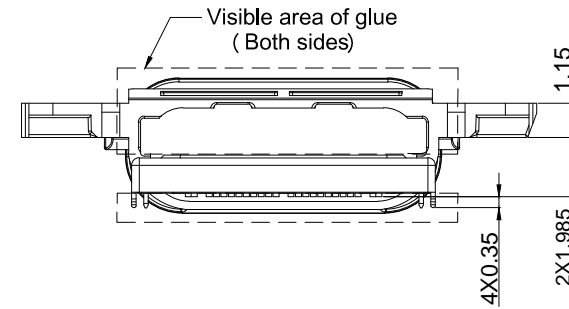
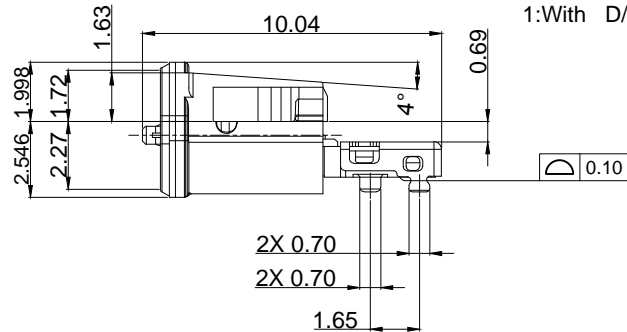
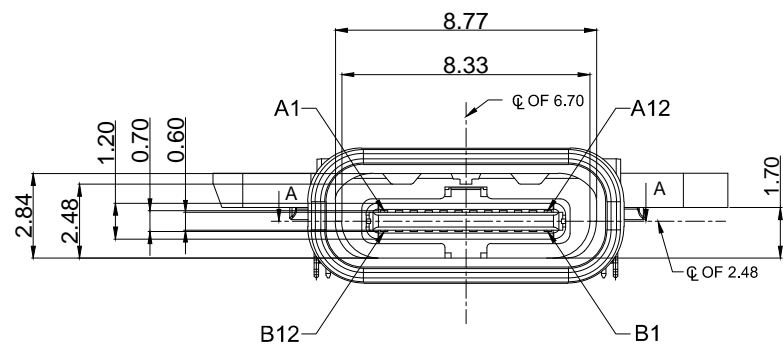
D/C:  
 YY:年份  
 MM:月份  
 DD:日期  
 CC:线别  
 B:班次  
 (A白班, B夜班)  
 L:LIM厂商代码



NOTE/注释:  
 1. SPECIFICATION/规格:  
 1.1 Rated current (额定电流): 6.0 A For VBus Pin and Gnd Pin  
 1.0 A For SBU1/SUB2  
 0.25A For Other Pin  
 1.2 Voltage rating (额定电压): 30V AC  
 1.3 Contact Resistance (接触阻抗): 40 m Ω Max.  
 1.4 Insulation Resistance (绝缘阻抗): 1000MΩ Min.  
 1.5 Withstanding voltage (耐电压): 500 VAC/minute  
 1.6 Mating force (插入力): 5~20N.  
 1.7 Unmating force (拔出力): 8~20N.  
 1.8 Operating temperature (工作温度): -40~+85°  
 1.9 Material should be fulfilled Amphenol spec# SSN002  
 AND Customer Requirements, for halogen free products,  
 Also need to meet SSN004  
 材料应满足安费诺规格# SSN002和客户需求、  
 无卤产品还需要满足SSN004  
 Part Number: 124019282112A

Pin No	Signal Name	Mating Sequence	Pin No	Signal Name	Mating Sequence
A1	GND	First	B12	GND	First
A2	TX1+	Thirdly	B11	RX1+	Thirdly
A3	TX1-	Thirdly	B10	RX1-	Thirdly
A4	Vbus	Second	B9	Vbus	Second
A5	CC1	Thirdly	B8	SBU2	Thirdly
A6	D+	Thirdly	B7	D-	Thirdly
A7	D-	Thirdly	B6	D+	Thirdly
A8	SBU1	Thirdly	B5	CC2	Thirdly
A9	Vbus	Second	B4	Vbus	Second
A10	RX2-	Thirdly	B3	TX2-	Thirdly
A11	RX2+	Thirdly	B2	TX2+	Thirdly
A12	GND	First	B1	GND	First
SHELL	GND		SHELL	GND	

Plating Spec:  
 21: MATING SIDE: Au30u";  
 Solder Tail: Au3~8u"  
 Date Code Description  
 0: Without D/C  
 1: With D/C  
 A: HF  
 Package Spec:  
 2: Reel

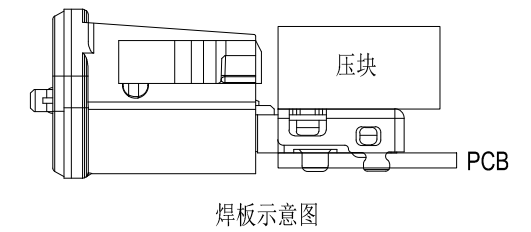
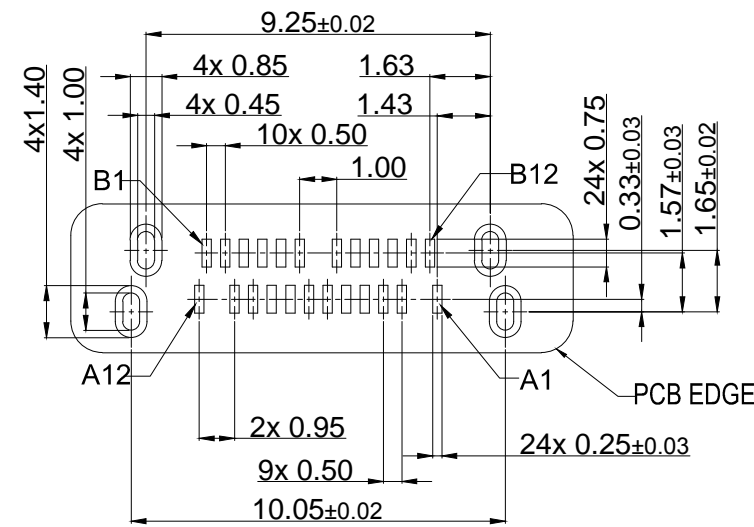
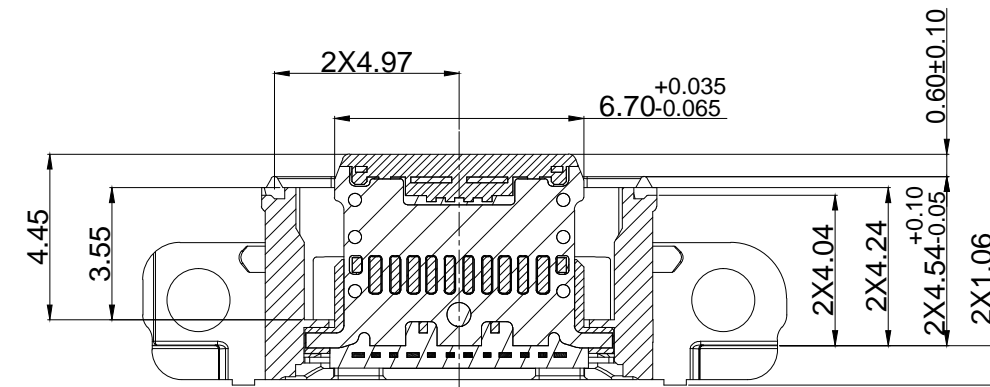
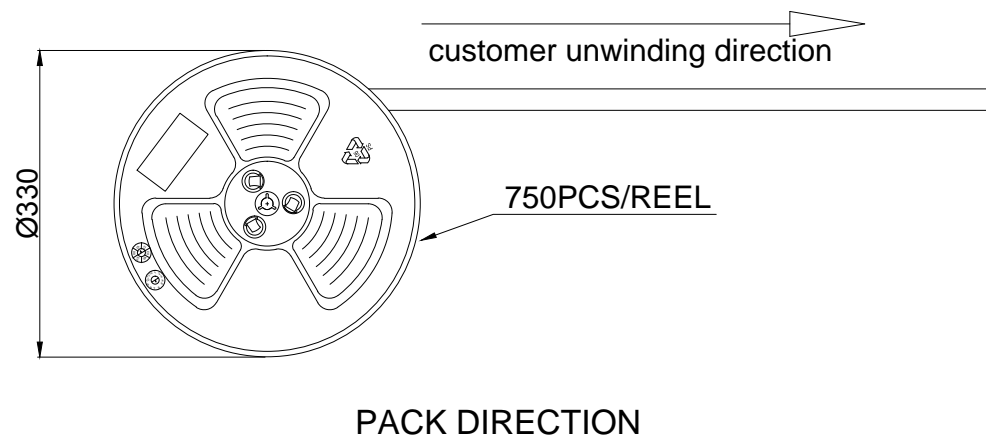
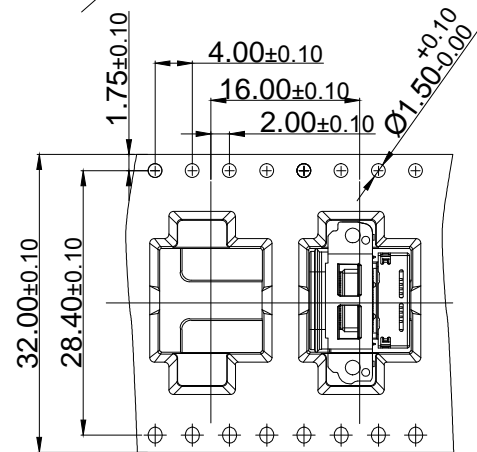
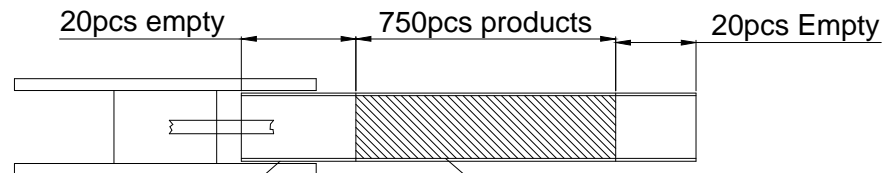


ITEM	DESCRIPTION	QTY	MATERIAL	FINISH
9	GLUE	1	EPOXY RESIN	BLACK
8	BACK SHELL	1	Stainless Steel	SOLDER NICKEL: 50u" MIN
7	LIM	1	Silica Gel	BLACK
6	MIM	1	Stainless Steel	CLEANING
5	SHELL	1	Stainless Steel	CLEANING
4	MD PLATE	1	Stainless Steel	SOLDER NICKEL: 50u" MIN
3	BOTTOM TERMINAL	1	Copper Alloy	MATING SIDE: Au30u" MIN; SOLDER TAIL: Au3~8u", 80-150u" NICKEL OVERALL.
2	TOP TERMINAL	1	Copper Alloy	MATING SIDE: Au30u" MIN; SOLDER TAIL: Au3~8u", 80-150u" NICKEL OVERALL.
1	MAIN HOUSING	1	Nylon	BLACK

BILL OF MATERIAL

GENERAL	TOLERANCE	FILE.NO.	C12401928	PART.NO.	124019282112A	DRAWN	Allan.Lai	MATERIAL	SCALE	1:1	
X.±0.25	x.°±5°	REV.	B	TITLE	USB TYPE C 3.1 CONNECTOR (WATER PROOF)	CHECKED	Weison.Lu	DATE	2018.12.27	UNIT	MM
.X±0.20	.x°±2°	SIZE		SHEET	1/2	APPROVED	Tom	Amphenol Shouhmin Industry			
.XX±0.15	.xx±1°	A4									

SYMBOL		REVISIONS		DATE	APPROVED
SYM	ECN	DESCRIPTION			
		SEE PAGE 1			



RECOMMENDED PCB LAYOUT  
(Tolerance=±0.05)  
钢网厚度0.1mm, 钢网开口比例 (焊盘: 钢网) 1: 1.2

GENERAL	TOLERANCE	FILE.NO.	C12401928	PART.NO.	124019282112A	DRAWN	Allan.Lai	MATERIAL		SCALE	1:1
X.±0.20	x.°± 5°	REV.	B	TITLE	USB TYPE C 3.1 CONNECTOR (WATER PROOF)	CHECKED	Weison.Lu	DATE	2018.12.27	UNIT	MM
.X±0.10	.x°± 2°	SIZE		SHEET	2/2	APPROVED	Tom	Amphenol Shouhmin Industry			
.XX±0.05	.xx± 1°	A4									

## X-ON Electronics

Largest Supplier of Electrical and Electronic Components

*Click to view similar products for [USB Connectors](#) category:*

*Click to view products by [Amphenol](#) manufacturer:*

Other Similar products are found below :

[65-647-8-BK-BU](#) [950](#) [E8144-B01021-L](#) [A-USB A-LP-SMT-C](#) [A-USB B-TOP-C](#) [MUSBA511N5](#) [MUSBD11135](#) [217450-1](#) [CA 6 W LD](#)  
[KMBVX-TH-5S-B30](#) [896-30-004-00-000000](#) [KUSBVX-BS1N-W30](#) [KUSBX-AP-KIT-SCBLK](#) [KUSBX-AS2N-W](#) [KUSBX-SMT2AP1S-W](#)  
[KUSBX-SMT2AP1S-W30](#) [935](#) [957](#) [30-498-6](#) [17-210051](#) [1734082-1](#) [30-1574](#) [30-470](#) [30-489](#) [30-541](#) [30-572-3](#) [MAB 8 SN V](#) [A-USB A-](#)  
[2P-C](#) [MIKROE-1451](#) [USBFTV2PEM2G](#) [USBFTVC6ZN](#) [KUSBX-AS2N-W30](#) [KUSBX-SLAS1N-W](#) [KUSBX-SMT-AS1N-W30](#) [4689-1](#) [1-](#)  
[1734084-2](#) [E8110-001-01](#) [MUSBA81130](#) [33UBARS1-04SW11](#) [33UBAR-04SW11](#) [USBF21ZNSCC](#) [USBBFTV6ZC](#) [10135326-001LF](#)  
[M9177/3-1](#) [USB-A-S-F-B-VT](#) [925](#) [4198](#) [690-024-633-031](#) [KUSBEX-BSFS1N-W](#) [USBFTVC6MRG](#)