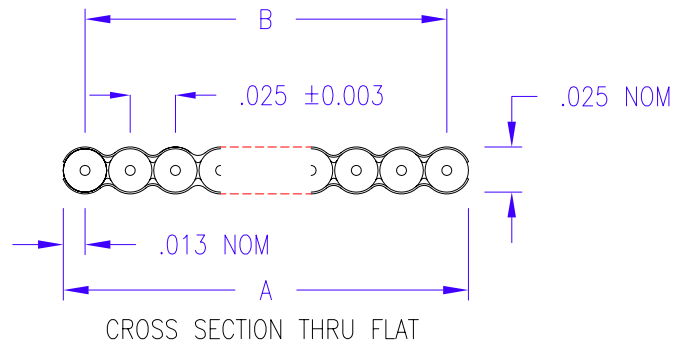


125-3096-900: X = 5.25 ±0.50" and Repeat
 [X = 133,35 ±12,7mm, and Repeat]



CROSS SECTION THRU FLAT

Part Number	Count	Pairs	A Span	B Span
125-3096-900	68	34	1.701 ±0.012	1.675 ±0.010

All Dimensions in Inches, Unless Otherwise Noted

PHYSICAL

Conductors: 30 AWG Solid Tinned Copper
 Insulation: .007" TPE
 Color Code: 1st Pair Blue/White followed by Orange/White and Repeat
 Laminate: Polyester
 Temperature Rating: 80°C

ELECTRICAL

Impedance: 90 ±6 ohms¹ 122 ±5 ohms²
 Capacitance: 17 pF/ft @ 1 MHz¹ 11 pF/ft @ 1 MHz²
 Propagation Delay: 1.45 ns/ft
 Voltage Rating: 150 V
 Current Rating: 0.75 A
 DC Resistance: 105 ohm per 1,000 ft @ 20°C

¹ Above values measured Single-Ended, with one conductor of each pair commoned to one Buss(SCSI Mode)

² Above values measured Differentially.

Approvals: UL AWM Style 20744
 CSA AWM

Print Legend: **Amphenol SPECTRA-STRIP**

RU[®] AWM 80C LL31941 CSA AWM I A80C 150V FT-1
 30 AWG Solid Ultra 320 SCSI™ Compliant <Date Code>
 Spectra-Green Lead Free/PBB Free

DRAWN	PROD ENG	QA	MKT	P/ECN#	DRAWING NO.	AMPHENOL SPECTRA-STRIP 720 SHERMAN AVE TEL (203) 281-3200 HAMDEN CT 06514 FAX (203) 281-5872	Rev G
FITTS 4/17/02	8/3/04			775	TITLE: .025" TPO Twist 'N' Flat®		SHEET
					Full Lamination, 30 AWG Solid		1 of 1

X-ON Electronics

Largest Supplier of Electrical and Electronic Components

Click to view similar products for [Flat Cables](#) category:

Click to view products by [Amphenol](#) manufacturer:

Other Similar products are found below :

[F28-A25G](#) [F28-A34G](#) [F28-A36G](#) [FST-23A-15](#) [AYT1510-US](#) [171-37G](#) [C336514-500](#) [902220736002000](#) [902220736006000](#) [28100-0614](#)
[9L28010-008-H300](#) [9L28014-008-H300](#) [F28-A24G](#) [F28-A60G](#) [25WDY00002](#) [28100-0571](#) [28100-0602](#) [28100-0650](#) [28100-0664](#) [336506-](#)
[100SF](#) [336512-300](#) [336537-CUT-LENGTH](#) [3447/10-100](#) [362514100MSF](#) [40WDY00005](#) [AYT51163](#) [336506-300](#) [C3302/16](#) [C374910](#)
[3749/10-100](#) [375630](#) [3-971111-6](#) [1-1437356-3](#) [812504](#) [20WDY00001](#) [5-1437214-8](#) [3355/15](#) [40WBY00007](#) [3609/12](#) [5111196336](#)
[607.5689.087](#) [607.5689.091](#) [3801/04](#) [8124/04](#) [3801/12](#) [3625/22100MSF](#) [902220736005000](#) [902220736004000](#) [C3811/10-100](#) [3625/22-30M](#)