

PRODUCT DATA DRAWING

CAD GENERATED DRAWING	DCN CONTROLLED DOCUMENT	DWG. NO. 1285-6004
-----------------------	-------------------------	-----------------------

MATERIAL :

BODY: STAINLESS STEEL PER AMS-5640
 CONTACT: BERYLLIUM COPPER PER ASTM B196
 INSULATOR: TEFLON PER ASTM D1710

FINISH :

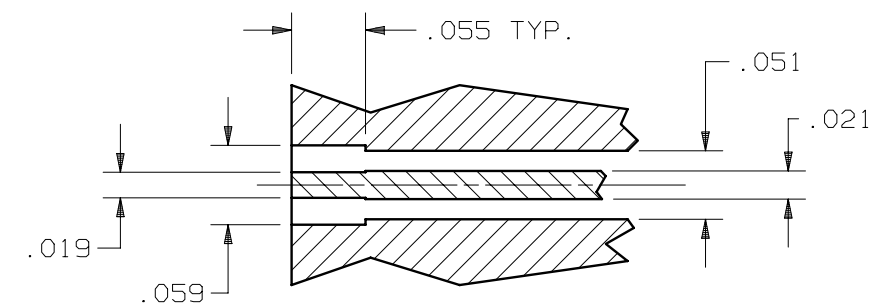
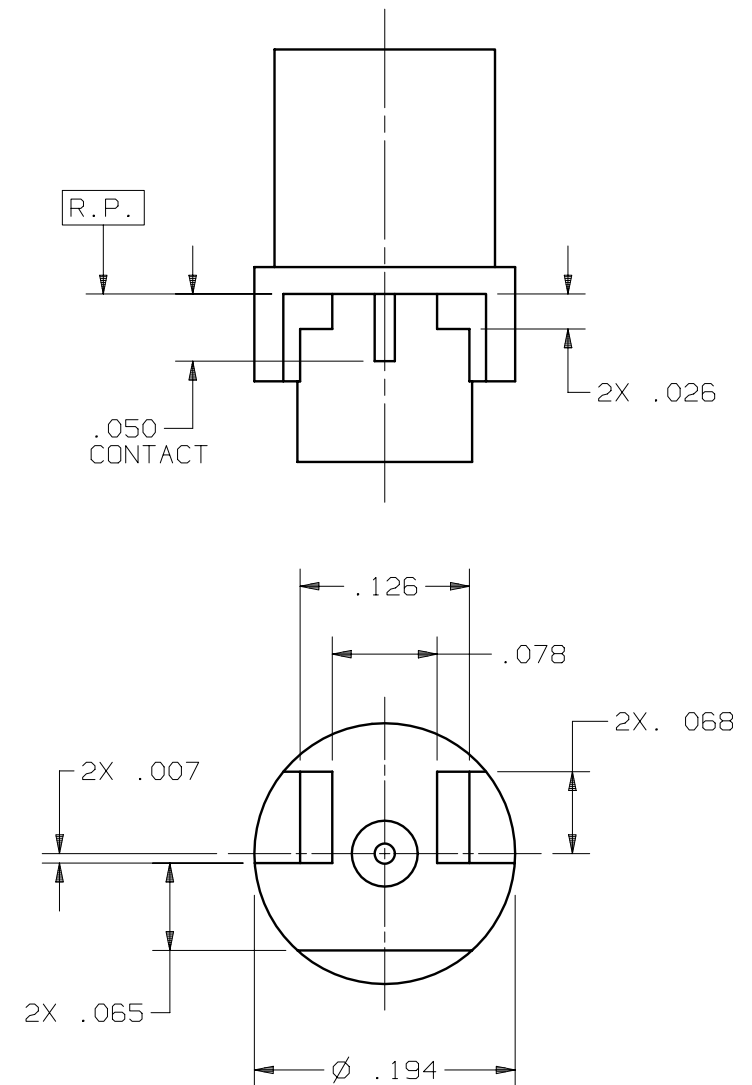
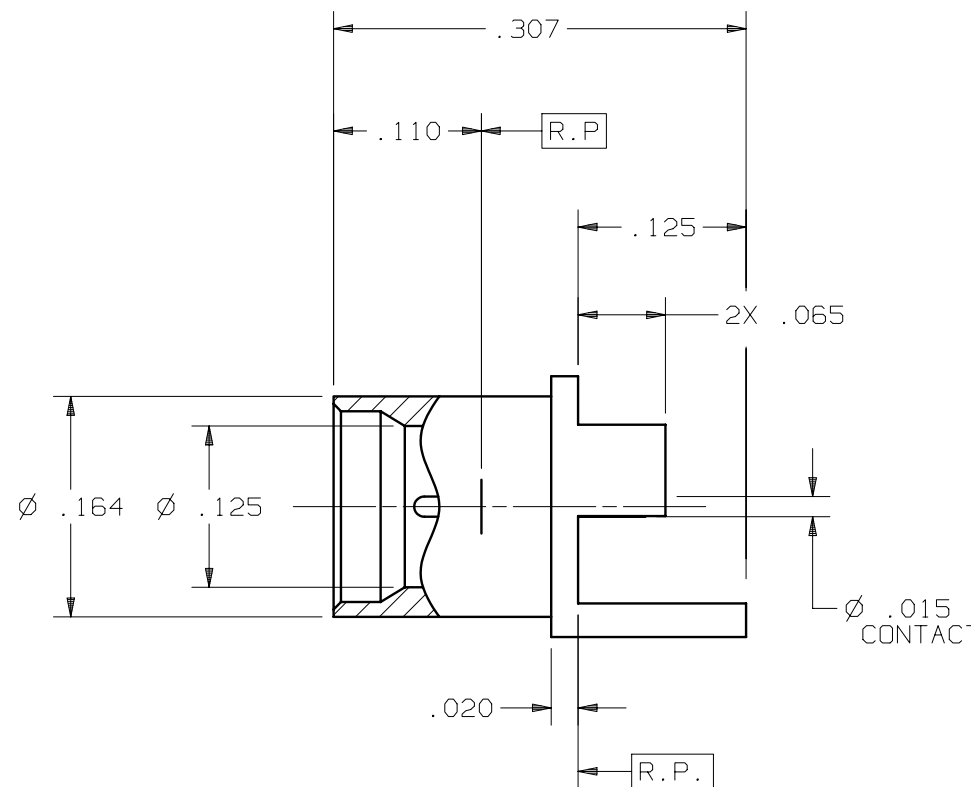
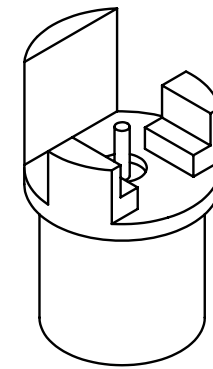
BODY & CONTACT: GOLD PER ASTM B488 OVER NICKEL PER AMS-QQ-N-290

PERFORMANCE :

IMPEDANCE: 50 OHMS
 FREQ. RANGE: DC-18.0 GHz
 R.F. INSERTION LOSS: 0.1dB MAX TO 18.0 GHz
 VSWR: 1.15:1 MAX. TO 18.0 GHz

GENERAL :

SMP MALE INTERFACE DIMENSIONS PER MIL-STD-348



RECOMMENDED PCB MOUNT

NOTES:

- FOR RECOMMENDED FOOTPRINT TO YOUR SPECIFIC PCB, CONTACT SV MICROWAVE SALES DEPARTMENT (sales@svmicro.com, 561-840-1800).

SYM.	DESCRIPTION	DATE	APPR.	UNLESS OTHERWISE SPECIFIED: 1) ALL DIMENSIONS ARE AFTER PLATING. 2) BREAK CORNERS & EDGES .005 R. MAX. 3) CHAM. 1s1 & LAST THDS. 4) SURFACE ROUGHNESS 63 / MIL-STD-10. 5) DIAS. ON COMMON CENTERS TO BE CONCENTRIC WITHIN .005 T.I.R. 6) REMOVE ALL BURRS.	DIMENSIONS ARE IN INCHES TOLERANCES:			SV Microwave, Inc. 2400 Centrepark West Drive, Suite 100 West Palm Beach, FL 33409
				DECIMALS .X N/A .XX N/A .XXX N/A	FRACTIONAL ±1/64	ANGULAR X° ±1'0" X°X' ±15"	TITLE: SMP MALE STRAIGHT PCB EDGE MOUNT (SMOOTH BORE)	
-	REL.DCN 31992	08/04	BRT		MATERIAL: SEE ABOVE			DRAWN: BRT 08/24/04 CHECKED: BRT 08/24/04 APPROVED: BRT 08/24/04
				FINISH: SEE ABOVE			□" AREA: N/A	
				SIZE	CAGE NO.	SCALE	DWG. NO.	
				B	95077	7X	1285-6004	

X-ON Electronics

Largest Supplier of Electrical and Electronic Components

Click to view similar products for [RF Connectors / Coaxial Connectors](#) category:

Click to view products by [Amphenol](#) manufacturer:

Other Similar products are found below :

[8915-1511-000](#) [89674-0827](#) [6001-7071-019](#) [6002-7051-003](#) [6002-7551-202](#) [6059674-1](#) [619550-1](#) [630059-000](#) [M39030/3-01N](#) [M3933/25-36N](#) [6500-7071-046](#) [6769](#) [CX050L2AQ](#) [7002-1542-011](#) [7004-1512-000](#) [7009-1511-004](#) [7010-1511-000](#) [7029-1511-060](#) [7101-1541-010](#) [7101-1571-002](#) [7105-1521-002](#) [7145-1521-002](#) [7203-1571-003](#) [7209-1511-011](#) [7210-1511-015](#) [7210-1511-019](#) [73137-5015](#) [73216-2241](#) [7325-1512-000](#) [73404-2300](#) [7405-1521-005](#) [7405-1521-802](#) [7406-1521-005](#) [8527](#) [8547](#) [FS11V](#) [8808-1511-001](#) [9049-9513-000](#) [9074-9513-000](#) [9101-9573-002](#) [910A205F](#) [9130-9573-002](#) [PL11SC-026](#) [PL375-33](#) [PL40-5](#) [PL71-9](#) [PL74C-221](#) [PL75MC-217](#) [PL803-7](#) [980-8666-005](#)