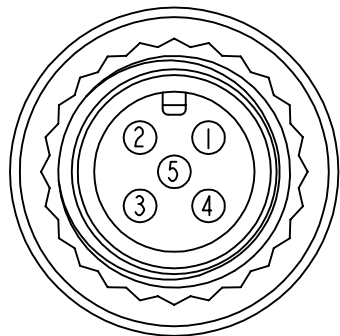
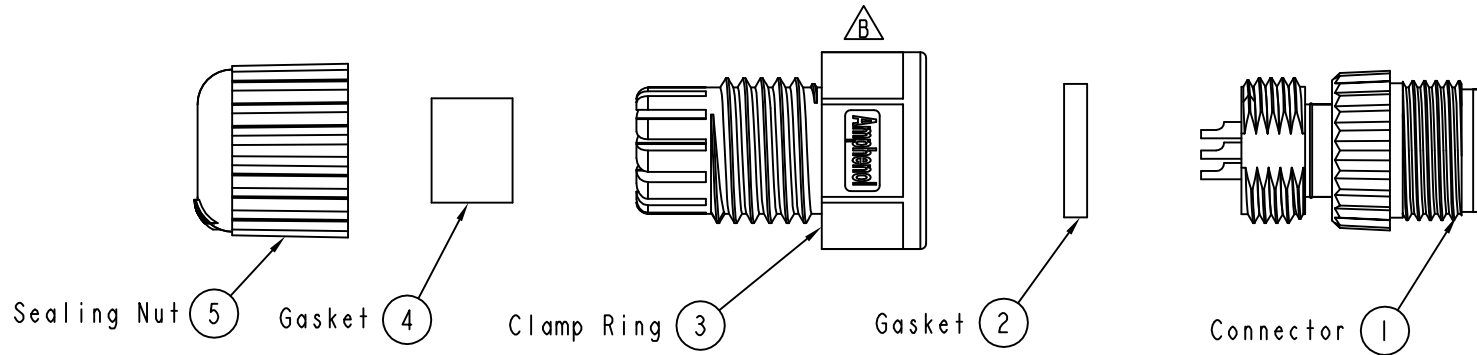
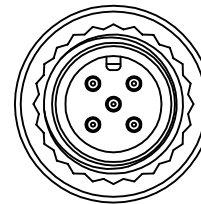
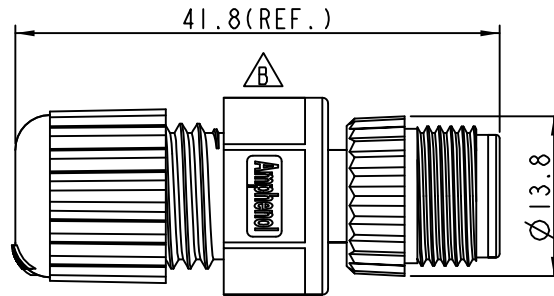


REV.	ECN NO.	DATE	SIGN	DESCRIPTION
B	LEN1480611	2014/08/12	Rita	Update Logo



Pin Assignments
Front View

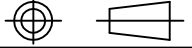


Conn.

Note:

- * (C) Important Dimension To Check.
- * Waterproof Rate: IP68
- * Housing: Black, Nylon+GF
- * Pin: Copper Alloy, Gold Plated
- * Nut: Black, Nylon+GF
- * Gasket: Black, EPDM
- * Clamp Ring: Black, Nylon
- * Sealing Nut: Black, Nylon
- * Seal: Black, EPDM
- * Seal For Cable OD: $\varnothing 4.5\text{mm} \sim \varnothing 6.5\text{mm}$

UNIT: mm



TOLERANCE	
.X	±0.25
.XX	±0.1
.XXX	±0.05
ANGLES	±1°

TITLE M12 Conn Assy Screw 5Pin M Conn M Pin			
SCALE	SIZE	SHEET	OF
3:2	A4	1	1
REV.	WC-REV.	(C): Inspection item	
B	A.3		

Amphenol LTW
安費諾亮泰企業股份有限公司

ITEM NO	DRAWN BY	DATE
12P-05BMMA-SL8001	Rita	2014-08-12
DWG NO	CHECKED BY	DATE
12P-05BMMA-SL8001	Kris	2014-08-12
CUSTOMER	APPROVED BY	DATE
ALTW	Wenmao	2014-08-12

THIS DOCUMENT IS SUBJECT TO CHANGE WITHOUT NOTICE. IT IS CONFIDENTIAL AND A PROPERTY OF Amphenol LTW. DISCLOSURE TO THIRD PARTY HAS TO BE AUTHORIZED BY Amphenol LTW.

X-ON Electronics

Largest Supplier of Electrical and Electronic Components

Click to view similar products for [Circular Metric Connectors](#) category:

Click to view products by [Amphenol](#) manufacturer:

Other Similar products are found below :

[600X518037X](#) [6STD15PCR99B70A](#) [8R4000A16M020](#) [8R5000A16M005](#) [1200910002](#) [1203580030](#) [1200910008](#) [1200910011](#) [1300140094](#)
[130203-0054](#) [1300140026](#) [1300150099](#) [1-3637-600-5205](#) [1612618](#) [21036836414](#) [8R4006A16M010](#) [1R3006A20M005](#) [41-40011](#) [42-00006](#)
[42-01015](#) [4-22279-4](#) [4-22281-1](#) [4-22284-9](#) [43-00113](#) [43-01088](#) [43-01203](#) [41-40013](#) [42-00008](#) [43-00343](#) [43-01026](#) [43-01162](#) [43-01173](#) [43-](#)
[10000](#) [XS3P-M421-2](#) [600X518050X](#) [8R5006A16M020](#) [8R4000A16M010](#) [6-22279-3](#) [1605332](#) [N03FA03144](#) [1300140077](#) [43-16213](#) [43-](#)
[01338](#) [XS2RD4265](#) [XS2R-D426-1](#) [XS8A-0441](#) [859RD04-103R004](#) [860RD04-113R004](#) [860RD04-213R004](#) [1-213245-2](#)