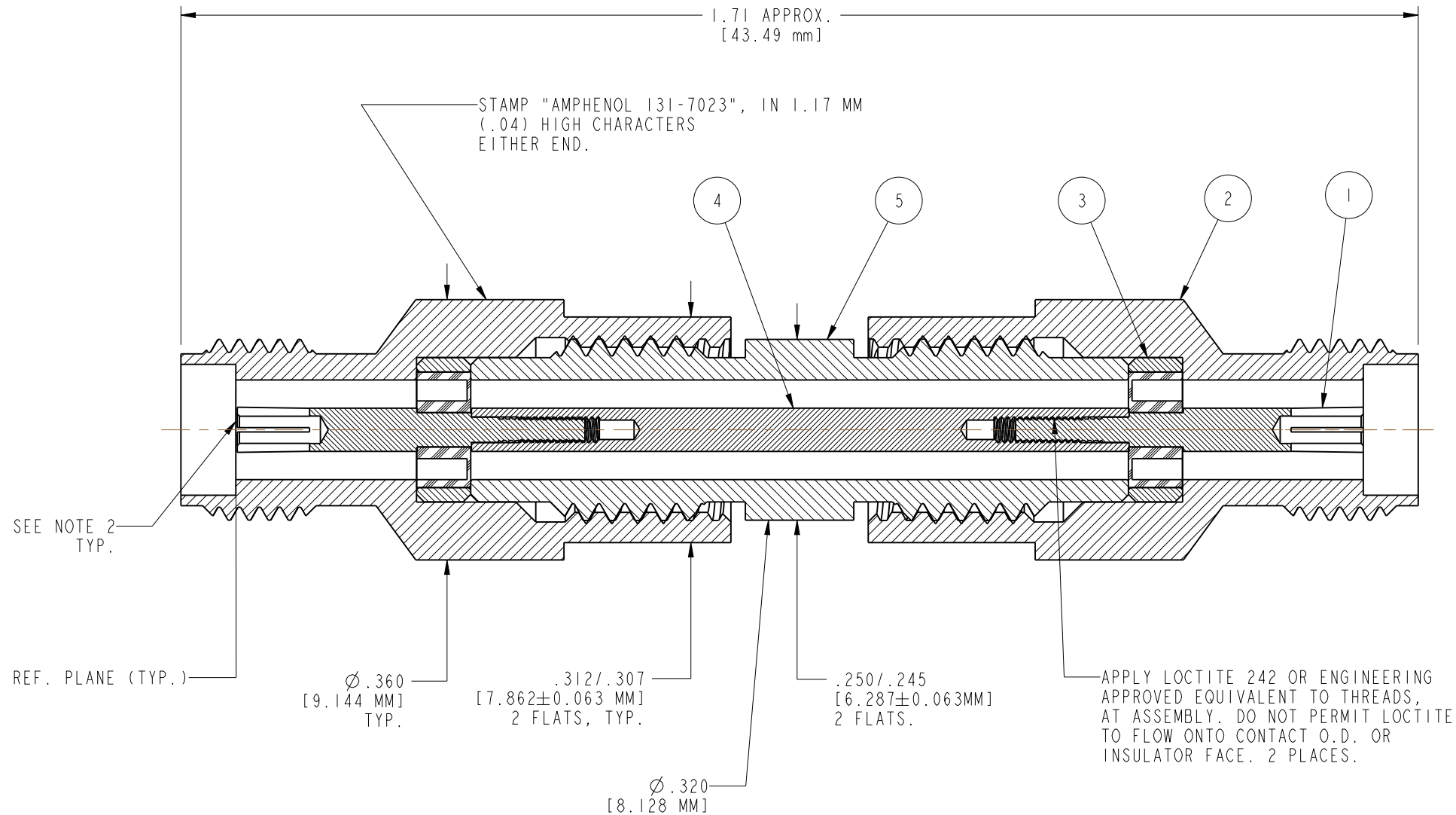


NOTES:

1. PLATING PER AMPHENOL SPEC 349-50560.
2. TIGHTEN ITEM 5 TO ITEM 2 WITH A TORQUE OF 20 IN-LBS ±1.0 IN-LB (.02373/.02147 NCM).
3. ITEM 1 SHALL BE .0000/.0021 (.0267MM ±.0267) BELOW REF. PLANE OF ITEM 2. BOTH ENDS.
5. PACKAGE THE CONNECTOR AS PER ROUTING INSTRUCTIONS.

131-7023  
DRAWING NO.  
THIRD ANGLE PROJ.

		REVISIONS		
REV	DESCRIPTION	DATE	ECO	APPR
--	RELEASE TO MFG.	1-5-77	24913	----
D	REDRAWN -NO CHANGE	2/22/82	23156	G.B.
E	ADDED LOCTITE TO CONNECTOR BODY THREADS	12/6/82	29074	----
F	A. UPDATED BOM: 1. ITEM 1 WAS 131-7504-FU, CONTACT, FEMALE; 2. DESCRIPTION FOR ITEM 3 WAS SUB-ASS'Y.; 3. DESCRIPTION FOR ITEM 4 WAS INNER CONDUCTOR; 4. DESCRIPTION FOR ITEM 5 WAS OUTER CONDUCTOR; B. ADDED NOTE 1, 4 & 5, AND UPDATED NOTES 2 & 3; C. DELETED ORIGINAL NOTES 3 & 4; D. UPDATED NOTES ON VIEW: 1. DELETED "SEE NOTES 3, 4, & 5"; 2. IN NOTE: "APPLY LOCTITE...2 PLACES", DELETED "GRADE 'C'", ADDED "242 OR ENGINEERING APPROVED EQUIVALENT"; E. DELETED ITEM 10 IN PACKAGE BOM.	8/26/08	47200	JL
G	REMOVED NOTE 4 & PACKAGE BOM	5/17/11	48576	CPM
H	SEE SHEET 2	19-Jan-17	04905	JTS



131-7535-FU	1	5	BODY	NOTE 1
131-7501-3FU	1	4	TUBE	NOTE 1
131-7507	2	3	ASSEMBLY	
131-7509-FU	2	2	BODY	NOTE 1
131-564-FU	2	1	CONTACT	NOTE 1
PART NUMBER	QTY.	ITEM	DESCRIPTION	FINISH

UNLESS OTHERWISE SPECIFIED, DIMENSIONS ARE IN INCHES AND TOLERANCES ARE: 2 PLACE DECIMAL ±.015 (0,381 mm) 3 PLACE DECIMAL ±.005 (0,127 mm) ANGLES ± 1°	MATERIAL	DRAWN G. BOUDREAU	DATE 12-17-81	TITLE ADAPTOR, 3.5 MM, FEMALE TO FEMALE	Amphenol Amphenol Corporation Communication and Network Products Division Danbury, CT U.S.A. 06810
	REFERENCE 613x-267 DOR 315423 CUSTOMER: AGILENT	ENGINEER D. CRITELLI	DATE 12-21-81		
NOTICE - These drawings, specifications, or other data (1) are, and remain the property of Amphenol Corp. (2) must be returned upon request; and (3) are confidential and not to be disclosed to any person other than those to whom they are given by Amphenol Corp. The furnishing of these drawings, specifications, or other data by Amphenol Corp., or to any other person to anyone for any purpose is not to be regarded by implication or otherwise in any manner licensing, granting rights or permitting such holder or any other person to manufacture, use or sell any product, process or design, patented or otherwise, that may in any way be related to or disclosed by said drawings, specifications, or other data.		APPROVED H. HUTTER	DATE 2-22-82		SCALE: 1.0:1 SHEET 1 OF 2
		CAD FILE I:\APC35 \ASSY \131-7023	CODE ID 74868	DWG SIZE B	DRAWING NO. 131-7023

## X-ON Electronics

Largest Supplier of Electrical and Electronic Components

*Click to view similar products for [RF Adapters - In Series](#) category:*

*Click to view products by [Amphenol](#) manufacturer:*

Other Similar products are found below :

[5919-1503-000](#) [5919-9503-000](#) [651A505](#) [7122-1502-000](#) [9030-9523-502](#) [932A505](#) [PN2C](#) [A0407000](#) [R114703000](#) [R114703000W](#)  
[R114753000](#) [R125704000](#) [R127871001](#) [R141704000W](#) [R141710000W](#) [R141723161](#) [R141730000](#) [R141770000](#) [R142704000W](#)  
[R142720000](#) [R142720700](#) [R143730700](#) [R143770000](#) [R161703000W](#) [R161730000](#) [R161730000W](#) [R161753000W](#) [R161791530W](#)  
[R176770000](#) [R201705000](#) [R222705200](#) [R222M40010W](#) [R222M40050](#) [R223703020](#) [R223703080](#) [R300.124.403](#) [R316754000](#) [AD78TL](#)  
[HRM-513S](#) [1996352-2](#) [2157155-1](#) [2101130-1](#) [R114704000W](#) [R114720000W](#) [R125705000](#) [R125705001](#) [R125705701](#) [R125771000](#)  
[R125791501W](#) [R127703001](#)