

REV.	DATE	DESCRIPTION
D	05/22/03	UPDATE DRAWING FORMAT
C	02/11/99	MODIFY O-RING DIMENSIONS
B	01/12/98	ADD INSULATOR/STRIPPING DIM'S
REV. <th>DATE</th> <th>DESCRIPTION</th>	DATE	DESCRIPTION

DESCRIPTION	MATERIAL	FINISH	QTY
1 BODY	BRASS	GOLD	1
2 INSULATOR	TEFLON	NATURAL	1
3 CONTACT PIN	BER. COPPER	GOLD	1
4 GASKET	SILICONE	RED	1
5 LOCK WASHER	BRASS	GOLD	1
6 FERRULE	BRASS	GOLD	1
7			
8			

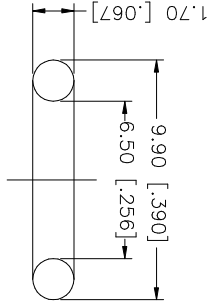
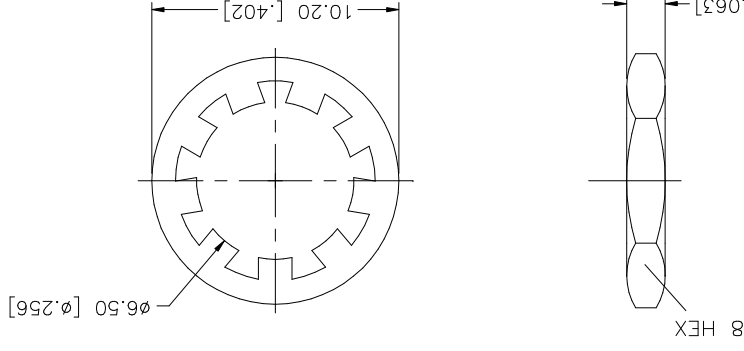
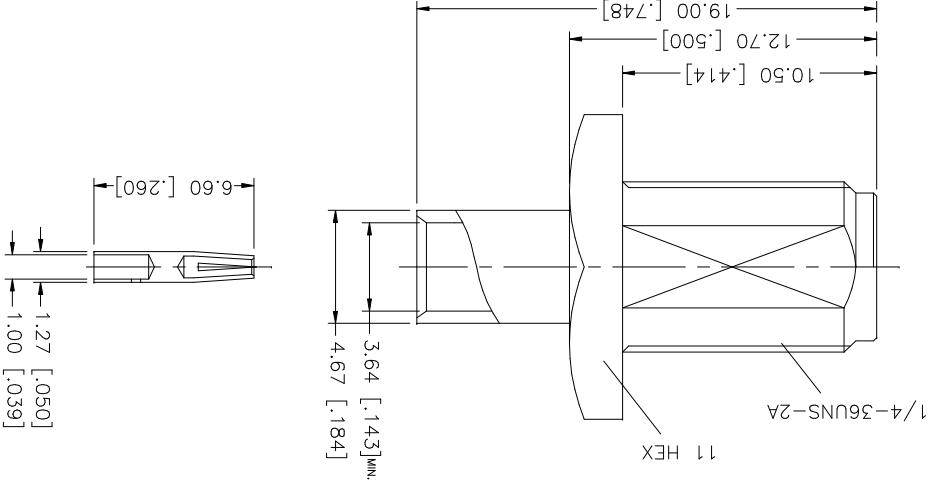
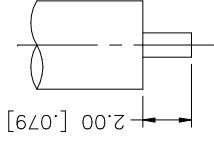
DO NOT SCALE DRAWING	CAD FILE	DWG. NO.	SCALE
UNLESS OTHERWISE SPECIFIED DIMENSIONS ARE IN MILLIMETERS. DIMENSIONS IN [] ARE IN INCHES AND FOR CUSTOMER REFERENCE ONLY.	C:/132/132106.DWG	132106.DWG	NA
TOLERANCES FOR MILLIMETERS ARE: 0.5 - 8mm ± 0.20mm 8 - 30mm ± 0.40mm 30 - 120mm ± 0.50mm			
TOLERANCES FOR INCHES ARE: 0.020 - .315 = ± 0.007" .315 - 1.180 = ± 0.015" 1.180 - 4.724 = ± 0.020"			

APPROVALS	DATE	APP. NO.	REV.	SIZE	SCALE
G.R.S.	05/22/03	132106	D	A	NA
DATE					

APPENDIX	DESCRIPTION
1	SMA DIRECT SOLDER BULKHEAD JACK (FOR .141" SEMI-RIGID CABLE)
2	
3	
4	
5	
6	
7	
8	

NOTE:
1. CONTACT PIN TO SOLDER
2. MAX. PANEL THICKNESS = 2.4mm

RECOMMENDED CABLE
STRIPPING DIMS.



X-ON Electronics

Largest Supplier of Electrical and Electronic Components

Click to view similar products for [RF Connectors / Coaxial Connectors](#) category:

Click to view products by [Amphenol](#) manufacturer:

Other Similar products are found below :

[R125315120](#) [8915-1511-000](#) [89674-0827](#) [5916-1103-603](#) [0106-001-000](#) [6-0001-3](#) [6001-7071-019](#) [6002-7051-003](#) [6002-7551-202](#) [6059674-1](#) [619550-1](#) [630059-000](#) [M39012/25-0021](#) [M39012/79-3008](#) [M39030/3-01N](#) [M39030/3-03N](#) [M3933/25-29N](#) [M3933/25-36N](#) [6500-7071-046](#) [6501-1071-002](#) [M83723/72W24576](#) [M83723/72W2457N](#) [6769](#) [CX050L2AQ](#) [7002-1541-010](#) [7002-1572-002](#) [7003-1572-002](#) [7004-1512-000](#) [7009-1511-004](#) [7010-1511-000](#) [7029-1511-060](#) [7101-1541-010](#) [7101-1571-002](#) [7105-1521-002](#) [7145-1521-002](#) [7209-1511-011](#) [7210-1511-012](#) [7210-1511-015](#) [7210-1511-019](#) [7210-1511-040](#) [7225-1512-050](#) [7242-1511-000](#) [73137-5015](#) [73251-0111](#) [73251-0672](#) [73276-1501](#) [73366-0013](#) [73404-2300](#) [73413-6080](#) [734151610](#)