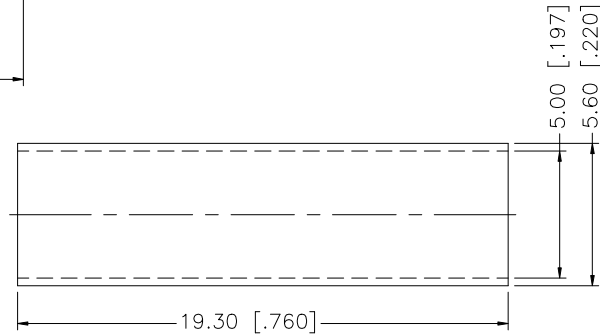
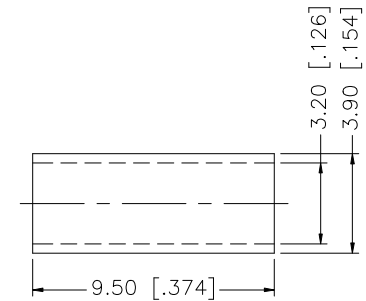
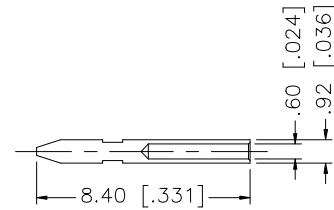
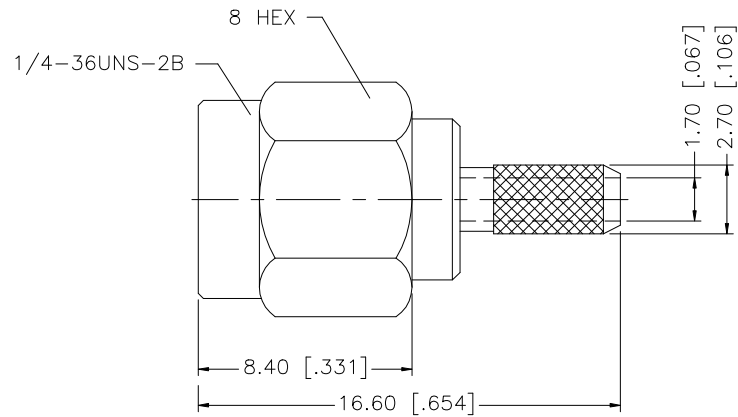
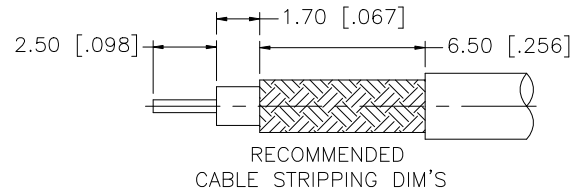


| REV. | DATE     | DESCRIPTION           |
|------|----------|-----------------------|
| NC   | 02/04/03 | UPDATE DRAWING FORMAT |



NOTE:

1. CRIMPED FERRULE  
HEX CRIMP SIZE .128"

| DESCRIPTION | MATERIAL           | FINISH      | QTY     | DO NOT SCALE DRAWING | APPROVALS | DATE              | Amphenol Connex |  |      |    |      |   |       |    |
|-------------|--------------------|-------------|---------|----------------------|-----------|-------------------|-----------------|--|------|----|------|---|-------|----|
| 8           |                    |             |         |                      | DRAWN     | G.R.S.            | 02/04/03        | PART DESCRIPTION<br><b>SMA CRIMP PLUG</b><br>(RG-174/U, 188A/U, 316/U) |      |    |      |   |       |    |
| 7           | HEAT SHRINK TUBING |             |         |                      | CHECKED   |                   |                 |  |      |    |      |   |       |    |
| 6           | FERRULE            | COPPER      | GOLD    | 1                    | ISSUED    |                   |                 | PART NO.<br><b>132114</b>  |      |    |      |   |       |    |
| 5           | CONTACT PIN        | BRASS       | GOLD    | 1                    | SHEET     | 1 OF 1            |                 |  |      |    |      |   |       |    |
| 4           | GASKET             | SILICONE    | RED     | 1                    | CAD FILE  | C:/132/132114.DWG | DWG. NO.        | 132114.DWG   | REV. | NC | SIZE | A | SCALE | NA |
| 3           | RETAINER RING      | BER. COPPER | NATURAL | 1                    |           |                   |                 |  |      |    |      |   |       |    |
| 2           | INSULATOR          | TEFLON      | NATURAL | 1                    |           |                   |                 |  |      |    |      |   |       |    |
| 1           | SHELL/BODY         | BRASS       | GOLD    | 1                    |           |                   |                 |  |      |    |      |   |       |    |

UNLESS OTHERWISE SPECIFIED DIMENSIONS ARE IN MILLIMETERS. DIMENSIONS IN [ ] ARE IN INCHES AND FOR CUSTOMER REFERENCE ONLY.

UNLESS OTHERWISE SPECIFIED TOLERANCES FOR MILLIMETERS ARE:  
0.5 - 8mm ± 0.20mm  
8 - 30mm ± 0.40mm  
30 - 120mm ± 0.50mm

UNLESS OTHERWISE SPECIFIED TOLERANCES FOR INCHES ARE:  
.020 - .315 = ± 0.007"  
.315 - 1.180 = ± 0.015"  
1.180 - 4.724 = ± 0.020"

## X-ON Electronics

Largest Supplier of Electrical and Electronic Components

*Click to view similar products for [RF Connectors / Coaxial Connectors](#) category:*

*Click to view products by [Amphenol](#) manufacturer:*

Other Similar products are found below :

[8915-1511-000](#) [89674-0827](#) [6001-7071-019](#) [6002-7051-003](#) [6002-7551-202](#) [6059674-1](#) [619550-1](#) [630059-000](#) [M39030/3-01N](#) [M3933/25-36N](#) [6500-7071-046](#) [6769](#) [CX050L2AQ](#) [7002-1542-011](#) [7004-1512-000](#) [7009-1511-004](#) [7010-1511-000](#) [7029-1511-060](#) [7101-1541-010](#) [7101-1571-002](#) [7105-1521-002](#) [7145-1521-002](#) [7203-1571-003](#) [7209-1511-011](#) [7210-1511-015](#) [7210-1511-019](#) [73137-5015](#) [73216-2241](#) [7325-1512-000](#) [73404-2300](#) [7405-1521-005](#) [7405-1521-802](#) [7406-1521-005](#) [8527](#) [8547](#) [FS11V](#) [8808-1511-001](#) [9049-9513-000](#) [9074-9513-000](#) [9101-9573-002](#) [910A205F](#) [9130-9573-002](#) [PL11SC-026](#) [PL375-33](#) [PL40-5](#) [PL71-9](#) [PL74C-221](#) [PL75MC-217](#) [PL803-7](#) [980-8666-005](#)