

NOTES:

- MATERIALS OF FINISHES:
  - FERRULE - COPPER, GOLD PLATING
  - BODY - BRASS, GOLD PLATING
  - CONTACT PIN - BRASS, GOLD PLATING
  - RETAINER RING - SUS 304, NATURAL
  - GASKET - SILICONE RUBBER, RED
  - INSULATOR - PTFE, NATURAL
  - COUPLING NUT - BRASS, GOLD PLATING

- ELECTRICAL:
  - A. IMPEDANCE: 50 OHM
  - B. FREQUENCY RANGE: DC 0-6 GHz
  - C. VSWR (RETURN LOSS): 1.2 MAX.
  - D. INSERTION LOSS: <0.3 dB TO <0.7 dB @ 0-3 GHz
  - E. DIELECTRIC WITHSTANDING VOLTAGE: 1000 VRMS, MIN.

- MECHANICAL:
  - A. DURABILITY: 500 CYCLES MIN.
  - B. TEMPERATURE RANGE: -65° C TO +165° C

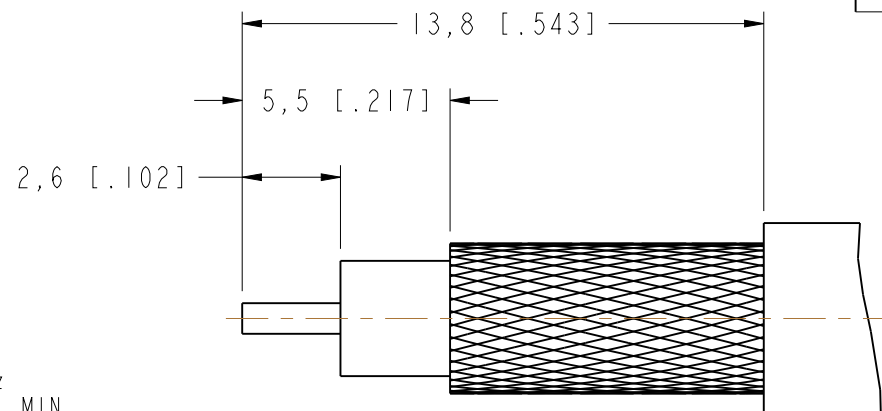
4. CRIMPED FERRULE HEX CRIMP SIZE .213"

5. CONTACT PIN TO SOLDER

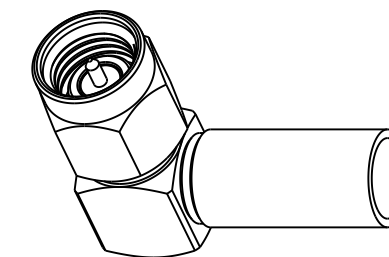
THIRD ANGLE PROJ.

REVISIONS

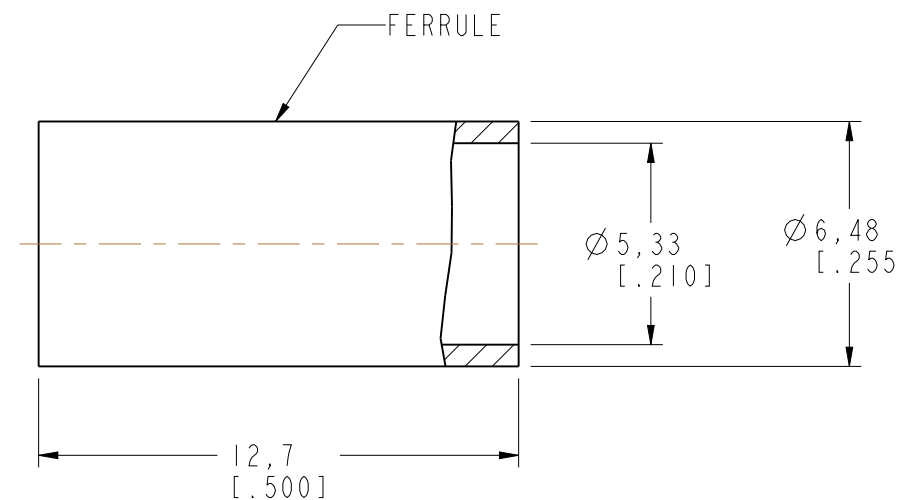
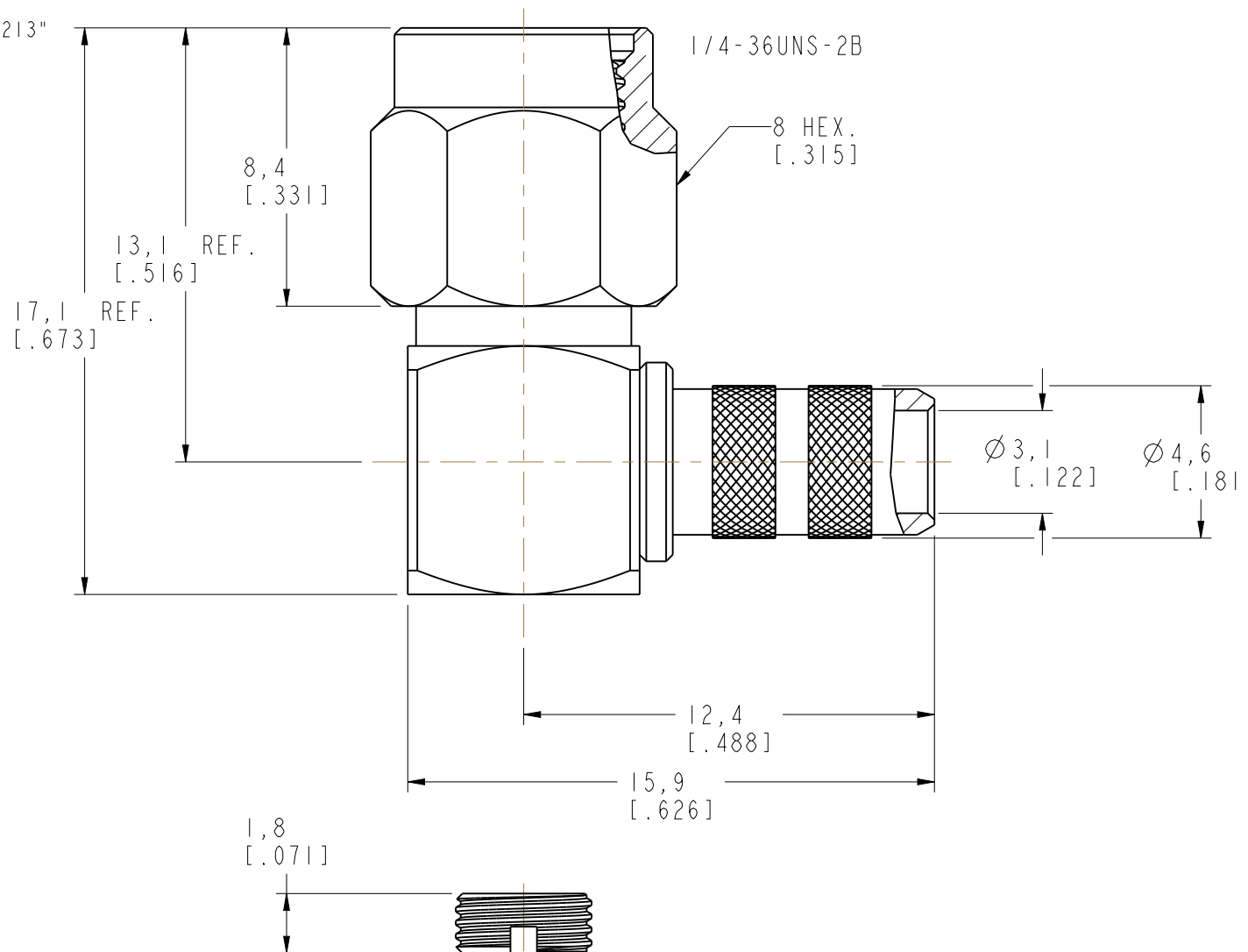
REV	DESCRIPTION	DATE	ECO	APPR
NC	INITIAL RELEASE	10-Jan-11	----	MZ
A	CHANG THE PART DESCRIPTION TO "SMA R/A CRIMP PLUG"	08-Nov-11	2256	MZ
B	IMPROVE ELECTRICAL PERFORMANCE, UPDATE DRAWING FORMAT	26-Nov-12	2405	MZ
D	REVISE THE TITLE & UPDATE DRAWING FORMAT	06-Jun-15	50597	MZ



RECOMMENDED  
CABLE STRIPPING DIM'S



SCALE 2.000



**CUSTOMER OUTLINE DRAWING**

ALL OTHER SHEETS ARE FOR INTERNAL USE ONLY

UNLESS OTHERWISE SPECIFIED, DIMENSIONS ARE IN METRIC AND TOLERANCES ARE:  
 <0.5mm ±0.05mm    0.5 - 6mm ±0.1mm    6 - 30mm ±0.2mm    30 - 120mm ±0.3mm    ANGLES ±1°

NOTICE - These drawings, specifications, or other data (1) are, and remain the property of Amphenol corp. (2) must be returned upon request; and (3) are confidential and not to be disclosed to any person other than those to whom they are given by Amphenol Corp. the furnishing of these drawings, specifications, or other data by Amphenol Corp., or to any other person to anyone for any purpose is not to be regarded by implication or otherwise in any manner licensing, granting rights to permitting such holder or any other person to manufacture, use or sell any product, process or design, patented or otherwise, that may in any way be related to or disclosed by said drawings, specifications, or other data.

MATERIAL	DRAWN M.ZHANG	DATE 06-Jun-15
REFERENCE SMA1112A4-3GT5GP-58U-50	ENGINEER S.DUAN	DATE 06-Jun-15
CONFIGURATION LEVEL: In Work	APPROVED S.HSIEH	DATE 06-Jun-15
FINISH	CAD FILE	

TITLE SMA R/A CRIMP PLUG (FOR RG-58C/U, 58/U CABLE)	DWG SIZE B
SCALE: 5.0:1.0	REV D

SHEET 3 OF 3	DRAWING NO.
	ITEM NO.
	PART NO. 132122

Amphenol Connex
DRAWING NO.
ITEM NO.
PART NO. 132122

## X-ON Electronics

Largest Supplier of Electrical and Electronic Components

*Click to view similar products for [RF Connectors / Coaxial Connectors](#) category:*

*Click to view products by [Amphenol](#) manufacturer:*

Other Similar products are found below :

[8915-1511-000](#) [89674-0827](#) [6001-7071-019](#) [6002-7051-003](#) [6002-7551-202](#) [6059674-1](#) [619550-1](#) [630059-000](#) [M39030/3-01N](#) [M3933/25-36N](#) [6500-7071-046](#) [6769](#) [CX050L2AQ](#) [7002-1542-011](#) [7004-1512-000](#) [7009-1511-004](#) [7010-1511-000](#) [7029-1511-060](#) [7101-1541-010](#) [7101-1571-002](#) [7105-1521-002](#) [7145-1521-002](#) [7203-1571-003](#) [7209-1511-011](#) [7210-1511-015](#) [7210-1511-019](#) [73137-5015](#) [73216-2241](#) [7325-1512-000](#) [73404-2300](#) [7405-1521-005](#) [7405-1521-802](#) [7406-1521-005](#) [8527](#) [8547](#) [FS11V](#) [8808-1511-001](#) [9049-9513-000](#) [9074-9513-000](#) [9101-9573-002](#) [910A205F](#) [9130-9573-002](#) [PL11SC-026](#) [PL375-33](#) [PL40-5](#) [PL71-9](#) [PL74C-221](#) [PL75MC-217](#) [PL803-7](#) [980-8666-005](#)