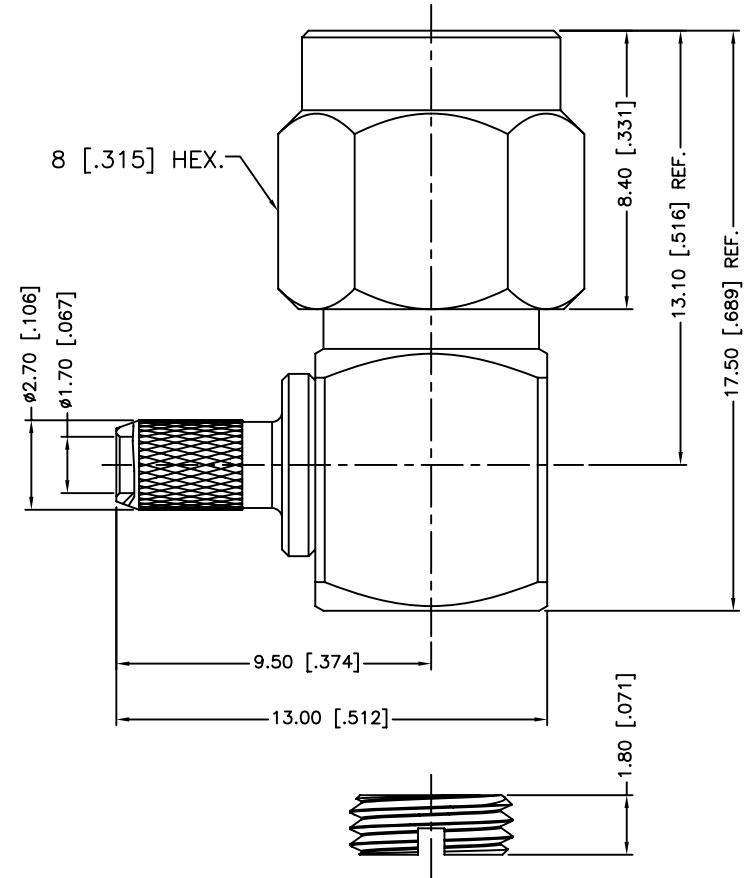
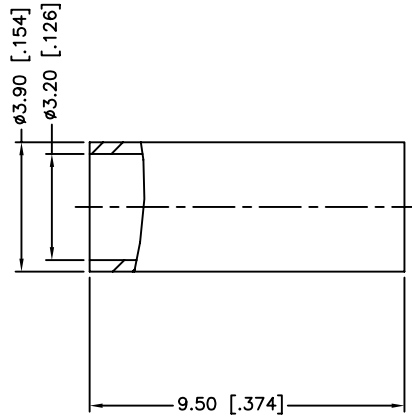
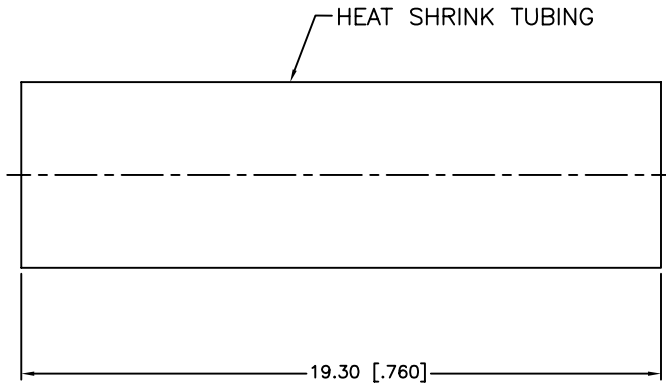
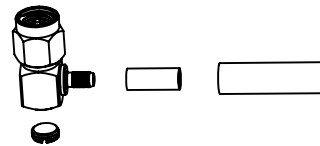


RECOMMENDED
CABLE STRIPPING DIM'S

REV.	DATE	ECR NO.	DESCRIPTION
NC		XXXX	INITIAL RELEASE
A	04/31/03	XXXX	UPDATE DRAWING FORMAT
B	11/13/06	XXXX	MODIFY BARREL O.D. TO 2.70 MM
C	04/27/08	100011	REVISE FERRULE I.D. TO 3.20 MM AND O.D. TO 3.9 MM
D	11/26/12	2405	IMPROVE ELECTRICAL PERFORMANCE, UPDATE DRAWING FORMAT



1. IMPEDANCE: 50 OHM
2. FREQUENCY RANGE: DC 0-3 GHz
3. VSWR (RETURN LOSS): 1.2 MAX.
4. INSERTION LOSS: <math><0.3</math> dB TO <math><0.7</math> dB @ 0-3 GHz
5. DIELECTRIC WITHSTANDING VOLTAGE: 1000 VRMS, MIN.
6. DURABILITY: 500 CYCLES MIN.
7. TEMPERATURE RANGE: -65°C TO +165°C
8. CRIMPED FERRULE
HEX CRIMP SIZE .128"



9	HEAT SHRINK TUBING		BLACK	1
8	FERRULE	BRASS	GOLD	1
7	COVER	BRASS	GOLD	1
6	HOUSING WITH BARREL	BRASS	GOLD	1
5	INSULATOR	PTFE	NATURAL	1
4	CONTACT PIN	BRASS	GOLD	1
3	RETAINER RING	SUS 304	NATURAL	1
2	GASKET	SILICONE RUBBER	RED	1
1	SHELL	BRASS	GOLD	1
	DESCRIPTION	MATERIAL	FINISH	QTY

UNLESS OTHERWISE SPECIFIED DIMENSIONS ARE IN MILLIMETERS. DIMENSIONS IN [] ARE IN INCHES AND FOR CUSTOMER REFERENCE ONLY.

UNLESS OTHERWISE SPECIFIED TOLERANCES FOR MILLIMETERS ARE:
 0.5 - 8mm ± 0.20mm
 8 - 30mm ± 0.40mm
 30 - 120mm ± 0.50mm

UNLESS OTHERWISE SPECIFIED TOLERANCES FOR INCHES ARE:
 .020 - .315 = ± 0.007"
 .315 - 1.180 = ± 0.015"
 1.180 - 4.724 = ± 0.020"

DO NOT SCALE DRAWING

APPROVALS		DATE
DRAWN	M.ZHANG	11/26/12
CHECKED		
ISSUED		
SHEET	1 OF 1	
CAD FILE	C:/CONNEX/132123.DWG	

Amphenol Connex

PART DESCRIPTION			
SMA R/A CRIMP PLUG (FOR RG-174/U,188A/U,316/U)			
PART NO.		132123	
DWG. NO.	132123.DWG	REV.	D
SIZE	A	SCALE	NA

X-ON Electronics

Largest Supplier of Electrical and Electronic Components

Click to view similar products for [RF Connectors / Coaxial Connectors](#) category:

Click to view products by [Amphenol](#) manufacturer:

Other Similar products are found below :

[8915-1511-000](#) [89674-0827](#) [6001-7071-019](#) [6002-7051-003](#) [6002-7551-202](#) [6059674-1](#) [619550-1](#) [630059-000](#) [M39030/3-01N](#) [M3933/25-36N](#) [6500-7071-046](#) [6769](#) [CX050L2AQ](#) [7002-1542-011](#) [7004-1512-000](#) [7009-1511-004](#) [7010-1511-000](#) [7029-1511-060](#) [7101-1541-010](#) [7101-1571-002](#) [7105-1521-002](#) [7145-1521-002](#) [7203-1571-003](#) [7209-1511-011](#) [7210-1511-015](#) [7210-1511-019](#) [73137-5015](#) [73216-2241](#) [7325-1512-000](#) [73404-2300](#) [7405-1521-005](#) [7405-1521-802](#) [7406-1521-005](#) [8527](#) [8547](#) [FS11V](#) [8808-1511-001](#) [9049-9513-000](#) [9074-9513-000](#) [9101-9573-002](#) [910A205F](#) [9130-9573-002](#) [PL11SC-026](#) [PL375-33](#) [PL40-5](#) [PL71-9](#) [PL74C-221](#) [PL75MC-217](#) [PL803-7](#) [980-8666-005](#)