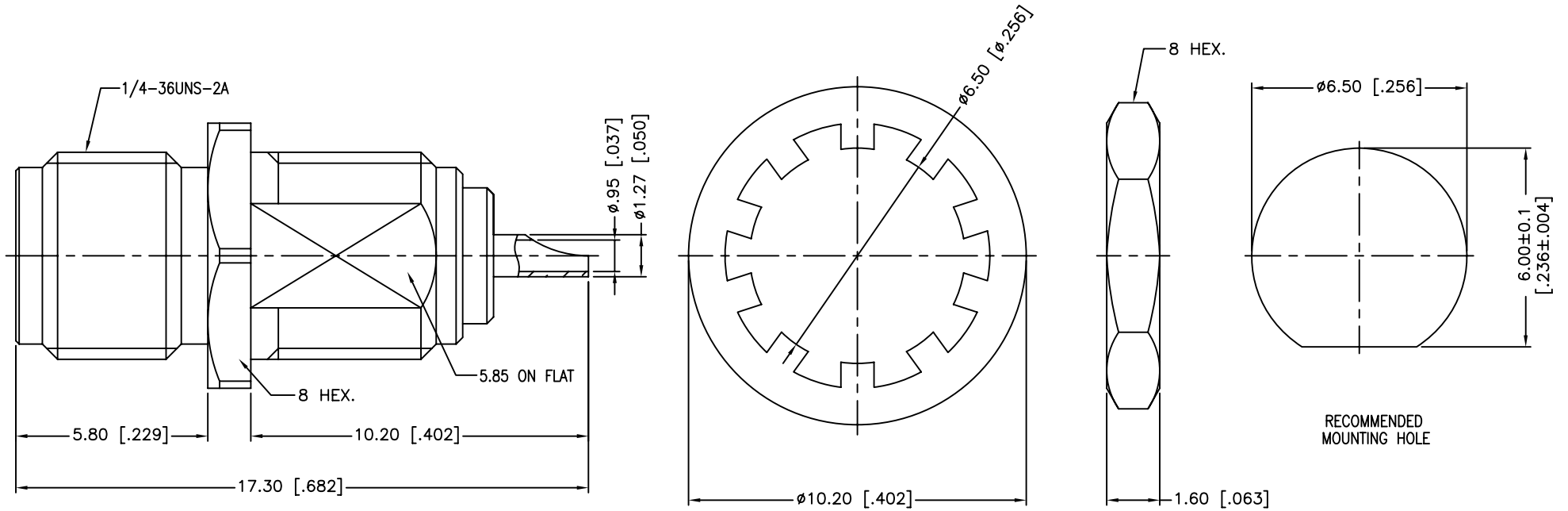


| REV. | DATE | ECR NO. | DESCRIPTION |
|------|----------|---------|-----------------|
| NC | 10/29/10 | XXXXXX | INITIAL RELEASE |



1. MAX. PANEL THICKNESS=2.5mm

| | | | | | | | | | |
|---|-------------|------------------|---------|-----------|----------------------|---|---|--|----------|
| <small>UNLESS OTHERWISE SPECIFIED DIMENSIONS ARE IN MILLIMETERS. DIMENSIONS IN [] ARE IN INCHES AND FOR CUSTOMER REFERENCE ONLY.</small> <small>UNLESS OTHERWISE SPECIFIED TOLERANCES FOR MILLIMETERS ARE: 0.5 - 8mm \pm 0.20mm 8 - 30mm \pm 0.40mm 30 - 120mm \pm 0.50mm</small> <small>UNLESS OTHERWISE SPECIFIED TOLERANCES FOR INCHES ARE: .020 - .315 = \pm 0.007" .315 - 1.180 = \pm 0.015" 1.180 - 4.724 = \pm 0.020"</small> | | | | APPROVALS | DATE | <h1 style="color: blue;">Amphenol Connex</h1> | | | |
| | | | | DRAWN | M.ZHANG | | | | 10/29/10 |
| 5 | HEX NUT | BRASS | GOLD | 1 | CHECKED | | PART DESCRIPTION SMA BULKHEAD RECEPT. JACK | | |
| 4 | LOCK WASHER | BRASS | GOLD | 1 | ISSUED | | | | |
| 3 | CONTACT PIN | BERYLLIUM COPPER | GOLD | 1 | SHEET | 1 OF 1 | PART NO. 132137 | | |
| 2 | INSULATOR | PTFE | NATURAL | 1 | CAD FILE | F:/CONNEX/132137.DWG | | | |
| 1 | BODY | BRASS | GOLD | 1 | DO NOT SCALE DRAWING | | DWG. NO. 132137.DWG REV. NC SIZE A SCALE NA | | |
| | DESCRIPTION | MATERIAL | FINISH | QTY | | | | | |

X-ON Electronics

Largest Supplier of Electrical and Electronic Components

Click to view similar products for [RF Connectors / Coaxial Connectors](#) category:

Click to view products by [Amphenol](#) manufacturer:

Other Similar products are found below :

[8915-1511-000](#) [89674-0827](#) [6001-7071-019](#) [6002-7051-003](#) [6002-7551-202](#) [6059674-1](#) [619550-1](#) [630059-000](#) [M39030/3-01N](#) [M3933/25-36N](#) [6500-7071-046](#) [6769](#) [CX050L2AQ](#) [7002-1542-011](#) [7004-1512-000](#) [7009-1511-004](#) [7010-1511-000](#) [7029-1511-060](#) [7101-1541-010](#) [7101-1571-002](#) [7105-1521-002](#) [7145-1521-002](#) [7203-1571-003](#) [7209-1511-011](#) [7210-1511-015](#) [7210-1511-019](#) [73137-5015](#) [73216-2241](#) [7325-1512-000](#) [73404-2300](#) [7405-1521-005](#) [7405-1521-802](#) [7406-1521-005](#) [8527](#) [8547](#) [FS11V](#) [8808-1511-001](#) [9049-9513-000](#) [9074-9513-000](#) [9101-9573-002](#) [910A205F](#) [9130-9573-002](#) [PL11SC-026](#) [PL375-33](#) [PL40-5](#) [PL71-9](#) [PL74C-221](#) [PL75MC-217](#) [PL803-7](#) [980-8666-005](#)