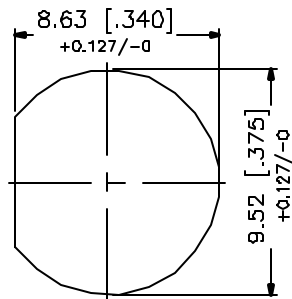
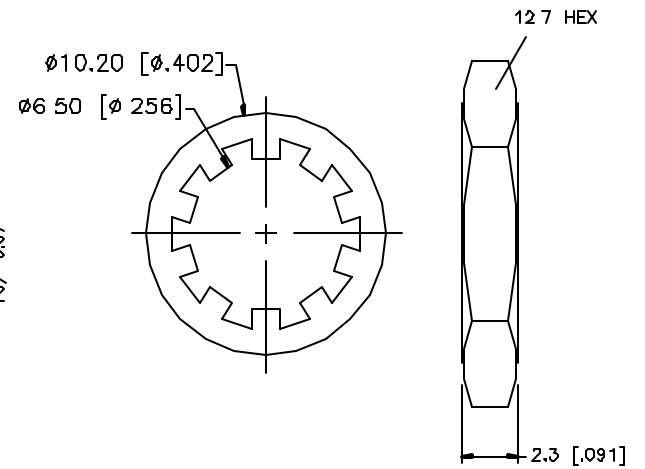
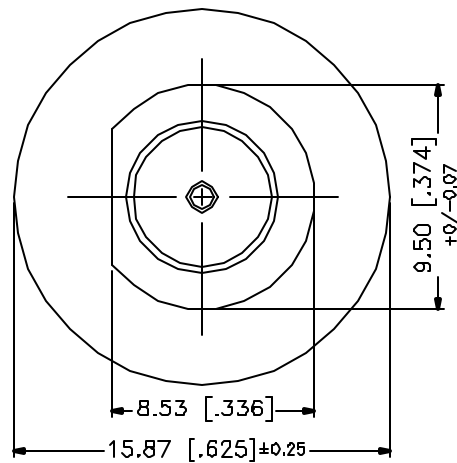
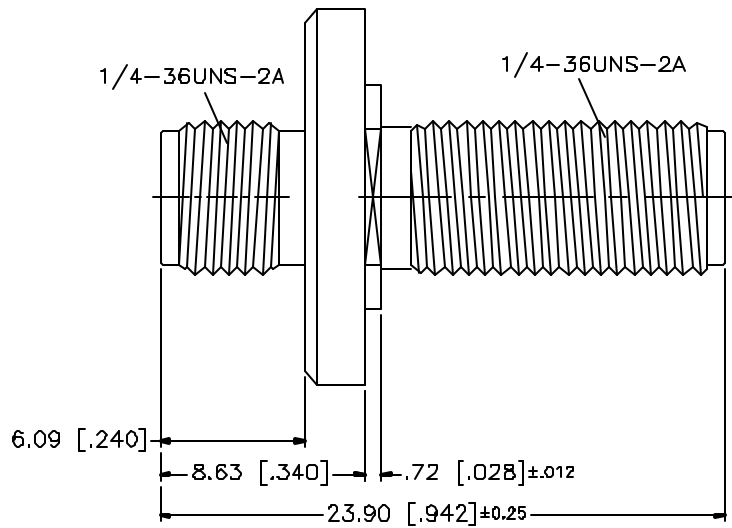


REV.	DATE	DESCRIPTION
NC	11/11/01	INITIAL RELEASE




RECOMMENDED
MOUNTING HOLE



NOTES:

1 MAX PANEL THICKNESS = 5mm

DESCRIPTION	MATERIAL	FINISH	UNLESS OTHERWISE SPECIFIED DIMENSIONS ARE IN MILLIMETERS	APPROVALS	DATE						
1	BODY	BRASS	GOLD	<small>UNLESS OTHERWISE SPECIFIED DIMENSIONS ARE IN MILLIMETERS</small> <small>DIMENSIONS IN [] ARE IN INCHES FOR CUSTOMER REFERENCE ONLY</small> <small>UNLESS OTHERWISE SPECIFIED TOLERANCES FOR MILLIMETERS ARE</small> 0.5-6 = ± 0.2 6-30 = ± 0.4 30-120 = ± 0.6 120-315 = ± 1 315-1000 = ± 1.8 1000-2000 = ± 2.4	DRAWN	G.R.S.	11/11/01	TITLE			
2	INSULATOR	TEFLON	NATURAL		CHECKED			SMA BULKHEAD FEMALE TO FEMALE ADAPTOR			
3	CONTACT PIN	BER. COPPER	GOLD		ISSUED			SIZE	FSCM NO.	DWG. NO.	REV.
4	LOCK WASHER	BRASS	GOLD					A	99001	132170-11.DWG	NC
5	HEX NUT	BRASS	GOLD					SCALE	PART NO.	SHEET	
6								NA	132170-11	1 OF 1	
7											
8			DO NOT SCALE DRAWING								

X-ON Electronics

Largest Supplier of Electrical and Electronic Components

Click to view similar products for [RF Adapters - In Series category:](#)

Click to view products by [Amphenol manufacturer:](#)

Other Similar products are found below :

[5916-1103-603](#) [5918-1103-000](#) [5919-1503-000](#) [651A505](#) [82-5552](#) [9030-9523-502](#) [A0407000](#) [R114703000W](#) [R125704000](#) [R125771001](#)
[R141710000W](#) [R141723161](#) [R141730000](#) [R143730700](#) [R143770000](#) [R161703000W](#) [R161730000](#) [R161753000W](#) [R161791530W](#)
[R201705000](#) [R222705200](#) [R222M40010W](#) [R223703180](#) [R316754000](#) [R405006000](#) [R443162000](#) [AD78TL](#) [HRM-513S](#) [1996352-2](#)
[2157155-1](#) [252169-75](#) [AD158](#) [2101130-1](#) [252186](#) [R114704000W](#) [R114720000W](#) [R125705001](#) [R125705701](#) [R125771000](#) [R125771001W](#)
[R125791501W](#) [R127704001](#) [R127.870.001](#) [R127872001](#) [R141717000](#) [R142710000](#) [R142723000](#) [R143703000](#) [R143704000](#) [R143705700](#)