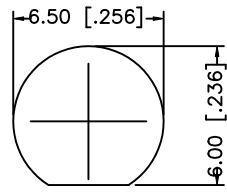
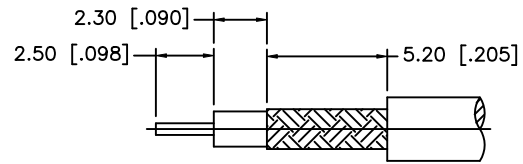


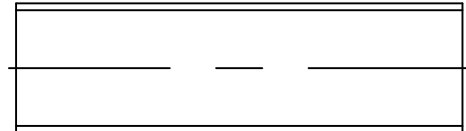
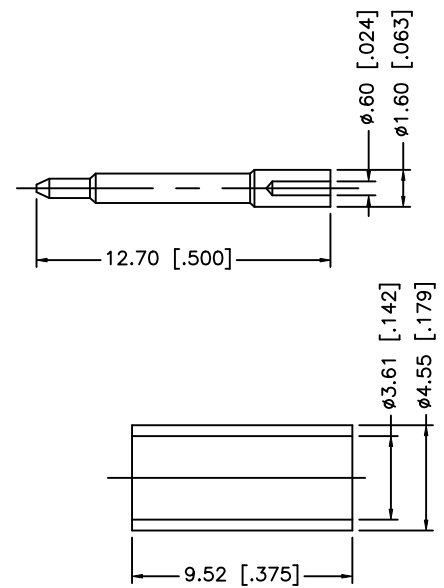
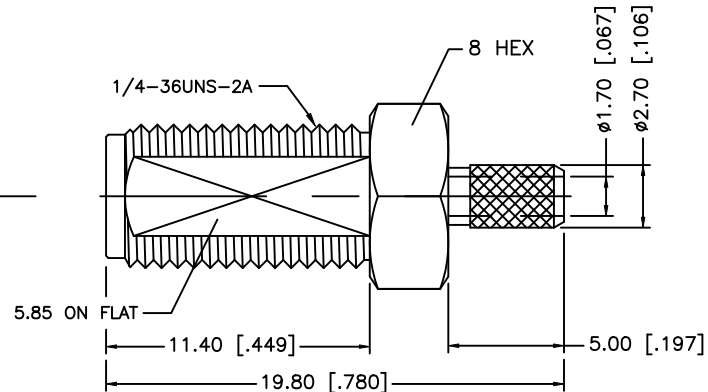
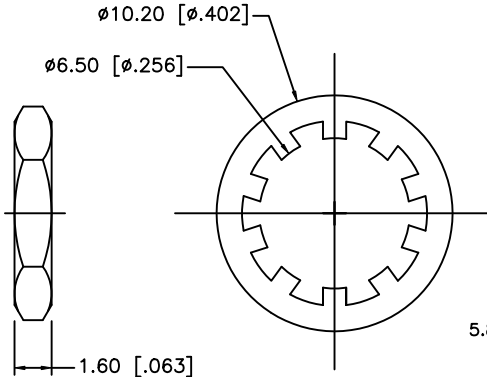
REV.	DATE	ECR NO.	DESCRIPTION
A	04/27/99	-	MODIFY FERRULE/ ADD NOTES 1 AND 2
B	09/29/04	-	MODIFY FERRULE AND CRIMP NOTES
C	09/17/08	-	ADD FLAT TO BODY/ REVISE FERRULE DIMENSIONS/ ADD NOTE 3 REVISE CABLE DESCRIPTION TO 316/U DB CABLE



RECOMMENDED MOUNTING HOLES



RECOMMENDED CABLE STRIPPING DIM'S



- NOTE:
1. CRIMPED FERRULE HEX CRIMP SIZE .151" [3.83]
 2. CONTACT PIN TO SOLDER.
 3. MAX. PANEL THICKNESS OF 3.20 [1.26"]

DESCRIPTION	MATERIAL	FINISH	QTY
8			
7	HEAT SHRINK TUBING	BLK	A/R
6	FERRULE	COPPER	GOLD 1
5	HEX NUT	BRASS	GOLD 1
4	LOCK WASHER	BRASS	GOLD 1
3	CONTACT PIN	BRASS	GOLD 1
2	INSULATOR	PTFE	NATURAL 1
1	BODY	BRASS	GOLD 1

UNLESS OTHERWISE SPECIFIED DIMENSIONS ARE IN MILLIMETERS. DIMENSIONS IN [] ARE IN INCHES AND FOR CUSTOMER REFERENCE ONLY.

UNLESS OTHERWISE SPECIFIED TOLERANCES FOR MILLIMETERS ARE:
0.5 - 8mm ± 0.20mm
8 - 30mm ± 0.40mm
30 - 120mm ± 0.50mm

UNLESS OTHERWISE SPECIFIED TOLERANCES FOR INCHES ARE:
.020 - .315 = ± 0.007"
.315 - 1.180 = ± 0.015"
1.180 - 4.724 = ± 0.020"

DO NOT SCALE DRAWING

APPROVALS	DATE
DRAWN GRS	09/17/08
CHECKED	
ISSUED	
SHEET 1 OF 1	
CAD FILE	C:/132/132176RP.DWG

Amphenol Connex

PART DESCRIPTION
**SMA REVERSE POLARITY BULKHEAD
CRIMP JACK (FOR 316/U DOUBLE BRAID CABLE)**

PART NO.
132176RP

DWG. NO.	132176RP.DWG	REV.	NC	SIZE	A	SCALE	NA
----------	--------------	------	----	------	---	-------	----

X-ON Electronics

Largest Supplier of Electrical and Electronic Components

Click to view similar products for [RF Connectors / Coaxial Connectors](#) category:

Click to view products by [Amphenol](#) manufacturer:

Other Similar products are found below :

[8915-1511-000](#) [89674-0827](#) [6001-7071-019](#) [6002-7051-003](#) [6002-7551-202](#) [6059674-1](#) [619550-1](#) [630059-000](#) [M39030/3-01N](#) [M3933/25-36N](#) [6500-7071-046](#) [6769](#) [CX050L2AQ](#) [7002-1542-011](#) [7004-1512-000](#) [7009-1511-004](#) [7010-1511-000](#) [7029-1511-060](#) [7101-1541-010](#) [7101-1571-002](#) [7105-1521-002](#) [7145-1521-002](#) [7203-1571-003](#) [7209-1511-011](#) [7210-1511-015](#) [7210-1511-019](#) [73137-5015](#) [73216-2241](#) [7325-1512-000](#) [73404-2300](#) [7405-1521-005](#) [7405-1521-802](#) [7406-1521-005](#) [8527](#) [8547](#) [FS11V](#) [8808-1511-001](#) [9049-9513-000](#) [9074-9513-000](#) [9101-9573-002](#) [910A205F](#) [9130-9573-002](#) [PL11SC-026](#) [PL375-33](#) [PL40-5](#) [PL71-9](#) [PL74C-221](#) [PL75MC-217](#) [PL803-7](#) [980-8666-005](#)