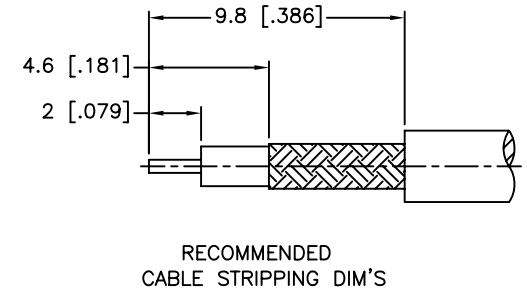
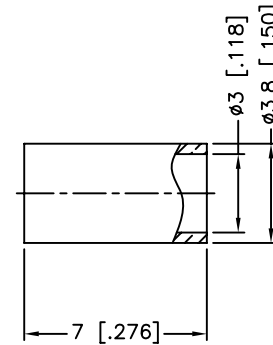
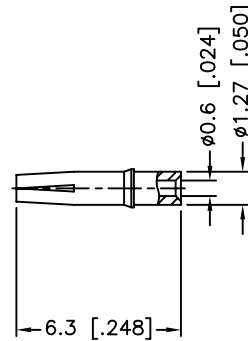
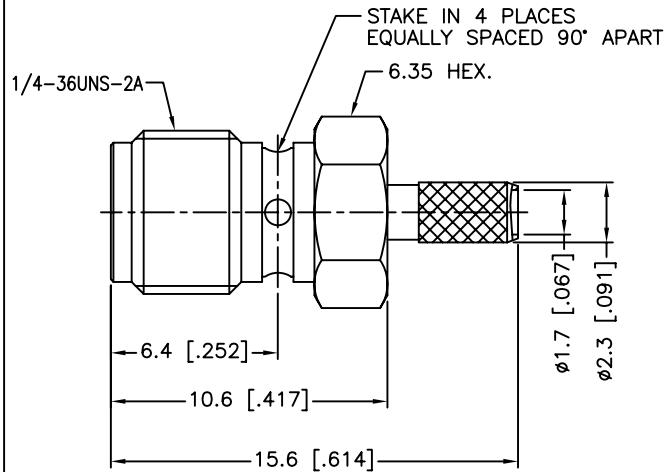


REV.	DATE	ECR NO.	DESCRIPTION
A	04/31/03	XXXXXX	UPDATE DRAWING FORMAT
B	06/20/11	2184	REMOVE THE WORD "BULKHEAD" FROM THE DESCRIPTION



NOTE:  
 1. CRIMPED FERRULE  
 HEX CRIMP SIZE 128"  
 2. CONTACT PIN TO SOLDER

QTY	DESCRIPTION	MATERIAL	FINISH
1	FERRULE	COPPER	GOLD
3	CONTACT PIN	BER. COPPER	GOLD
2	INSULATOR	PTFE	NATURAL
1	BODY	BRASS	GOLD

<small>UNLESS OTHERWISE SPECIFIED DIMENSIONS ARE IN MILLIMETERS. DIMENSIONS IN [ ] ARE IN INCHES AND FOR CUSTOMER REFERENCE ONLY.</small>  <small>UNLESS OTHERWISE SPECIFIED TOLERANCES FOR MILLIMETERS ARE:          0.5 - 8mm ± 0.20mm          8 - 30mm ± 0.40mm          30 - 120mm ± 0.50mm</small>  <small>UNLESS OTHERWISE SPECIFIED TOLERANCES FOR INCHES ARE:          .020 - .315 = ± 0.007"          .315 - 1.180 = ± 0.015"          1.180 - 4.724 = ± 0.020"</small>  DO NOT SCALE DRAWING	APPROVALS	DATE	
	DRAWN	M.ZHANG	06/20/11
	CHECKED		
	ISSUED		
	SHEET	1 OF 1	
CAD FILE	C:/CONNEX/132229.DWG		

<h1>Amphenol Connex</h1>			
PART DESCRIPTION <b>SMA CRIMP JACK (FOR RG-174/U,188A/U,316/U CABLE)</b>			
PART NO. <b>132229</b>			
DWG. NO.	132229.DWG	REV.	B
SIZE	A	SCALE	NA

## X-ON Electronics

Largest Supplier of Electrical and Electronic Components

*Click to view similar products for [RF Connectors / Coaxial Connectors](#) category:*

*Click to view products by [Amphenol](#) manufacturer:*

Other Similar products are found below :

[8915-1511-000](#) [89674-0827](#) [6001-7071-019](#) [6002-7051-003](#) [6002-7551-202](#) [6059674-1](#) [619550-1](#) [630059-000](#) [M39030/3-01N](#) [M3933/25-36N](#) [6500-7071-046](#) [6769](#) [CX050L2AQ](#) [7002-1542-011](#) [7004-1512-000](#) [7009-1511-004](#) [7010-1511-000](#) [7029-1511-060](#) [7101-1541-010](#) [7101-1571-002](#) [7105-1521-002](#) [7145-1521-002](#) [7203-1571-003](#) [7209-1511-011](#) [7210-1511-015](#) [7210-1511-019](#) [73137-5015](#) [73216-2241](#) [7325-1512-000](#) [73404-2300](#) [7405-1521-005](#) [7405-1521-802](#) [7406-1521-005](#) [8527](#) [8547](#) [FS11V](#) [8808-1511-001](#) [9049-9513-000](#) [9074-9513-000](#) [9101-9573-002](#) [910A205F](#) [9130-9573-002](#) [PL11SC-026](#) [PL375-33](#) [PL40-5](#) [PL71-9](#) [PL74C-221](#) [PL75MC-217](#) [PL803-7](#) [980-8666-005](#)