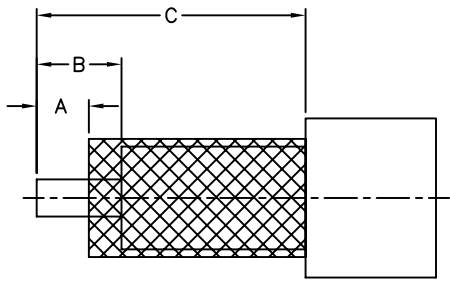
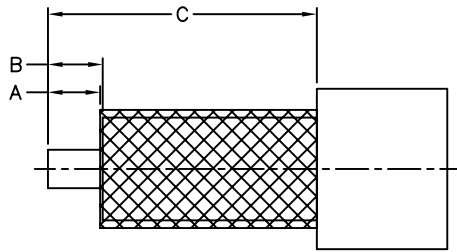


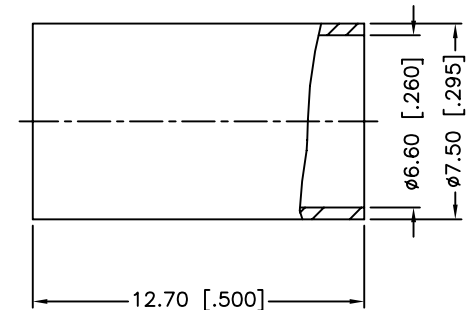
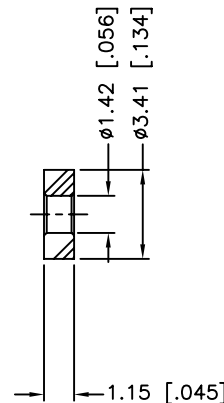
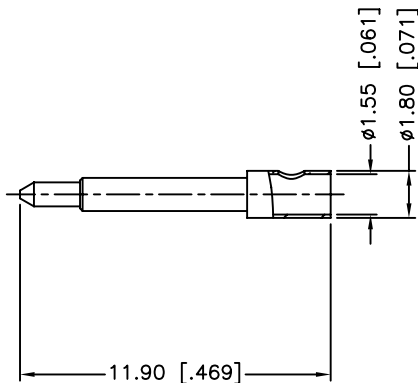
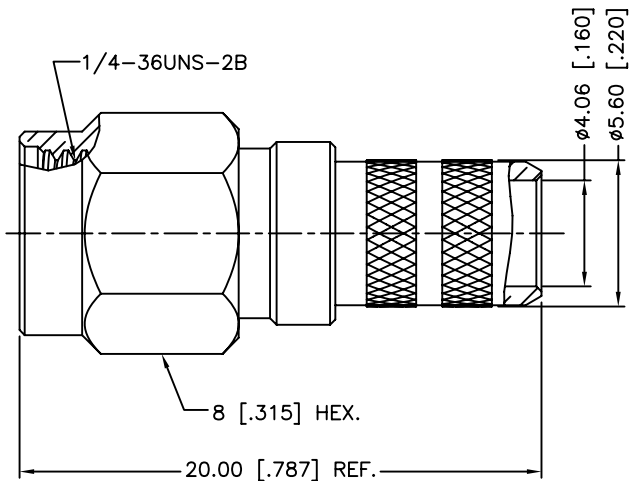
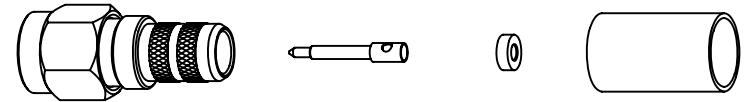
REV.	DATE	ECR NO.	DESCRIPTION
NC	05/20/02	XXXXXX	INITIAL RELEASE
A	11/26/03	XXXXXX	UPDATE DRAWING FORMAT
B	11/22/13	2663	ADD SPACER, ADD TABLE A AND MODIFY STRIPPING DIMENSIONS, ADD ELECTRICAL/MECHANICAL NOTES, UPDATE DRAWING FORMAT



LMR-240



RG-8/X



1. IMPEDANCE: 50 OHM
2. FREQUENCY RANGE: 0-12.4 GHZ
3. DIELECTRIC WITHSTANDING VOLTAGE: 1000 VRMS, MIN.
4. DURABILITY: 500 CYCLES MIN.
5. TEMPERATURE RANGE: -65°C TO +165°C
6. CRIMPED FERRULE
HEX. CRIMP SIZE .255"
7. CONTACT PIN TO SOLDER
8. SEE TABLE A FOR RECOMMENDED CABLE STRIPPING DIMENSIONS

CABLE TYPE	DIMENSION A	DIMENSION B	DIMENSION C	SPACER REQUIRED
LMR-240	2 [.079]	3.25 [.128]	10.3 [.406]	YES
RG-8/X	2 [.079]	2.1 [.083]	10.3 [.406]	NO

DESCRIPTION	MATERIAL	FINISH	QTY
8 FERRULE	BRASS	GOLD	1
7 SPACER	PTFE	NATURAL	1
6 CONTACT PIN	BRASS	GOLD	1
5 BODY	BRASS	GOLD	1
4 INSULATOR	PTFE	NATURAL	1
3 RETAINER RING	SUS 304	NATURAL	1
2 GASKET	SILICONE RUBBER	RED	1
1 SHELL	BRASS	GOLD	1

UNLESS OTHERWISE SPECIFIED DIMENSIONS ARE IN MILLIMETERS. DIMENSIONS IN [] ARE IN INCHES AND FOR CUSTOMER REFERENCE ONLY.
UNLESS OTHERWISE SPECIFIED
TOLERANCES FOR MILLIMETERS ARE:
<.05 ± 0.05mm
0.5 - 6mm ± 0.10mm
6 - 30mm ± 0.20mm
30 - 120mm ± 0.30mm
ANGLES ± 1°
UNLESS OTHERWISE SPECIFIED
TOLERANCES FOR INCHES ARE:
<.020 ± 0.002"
.020 - .236 ± 0.004"
.236 - 1.180 ± 0.007"
1.180 - 4.724 ± 0.012"
ANGLES ± 1°
DO NOT SCALE DRAWING

APPROVALS	DATE
DRAWN M.ZHANG	11/22/13
CHECKED	
ISSUED	
SHEET 1 OF 1	
CAD FILE C:/CONNEX/CONNEX.DWG	

Amphenol Connex

PART DESCRIPTION
**SMA CRIMP PLUG
(FOR RG-8/X, LMR-240 CABLE)**

PART NO.
132231

DWG. NO. 132231.DWG REV. B SIZE A SCALE NA

X-ON Electronics

Largest Supplier of Electrical and Electronic Components

Click to view similar products for [RF Connectors / Coaxial Connectors](#) category:

Click to view products by [Amphenol](#) manufacturer:

Other Similar products are found below :

[8915-1511-000](#) [89674-0827](#) [6001-7071-019](#) [6002-7051-003](#) [6002-7551-202](#) [6059674-1](#) [619550-1](#) [630059-000](#) [M39030/3-01N](#) [M3933/25-36N](#) [6500-7071-046](#) [6769](#) [CX050L2AQ](#) [7002-1542-011](#) [7004-1512-000](#) [7009-1511-004](#) [7010-1511-000](#) [7029-1511-060](#) [7101-1541-010](#) [7101-1571-002](#) [7105-1521-002](#) [7145-1521-002](#) [7203-1571-003](#) [7209-1511-011](#) [7210-1511-015](#) [7210-1511-019](#) [73137-5015](#) [73216-2241](#) [7325-1512-000](#) [73404-2300](#) [7405-1521-005](#) [7405-1521-802](#) [7406-1521-005](#) [8527](#) [8547](#) [FS11V](#) [8808-1511-001](#) [9049-9513-000](#) [9074-9513-000](#) [9101-9573-002](#) [910A205F](#) [9130-9573-002](#) [PL11SC-026](#) [PL375-33](#) [PL40-5](#) [PL71-9](#) [PL74C-221](#) [PL75MC-217](#) [PL803-7](#) [980-8666-005](#)