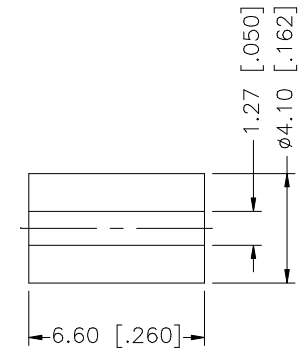
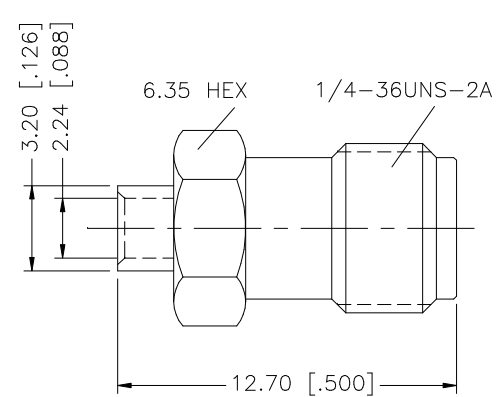
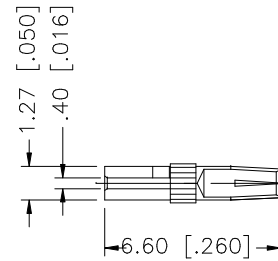
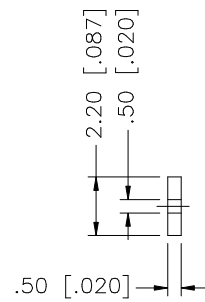
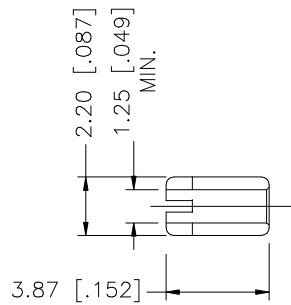
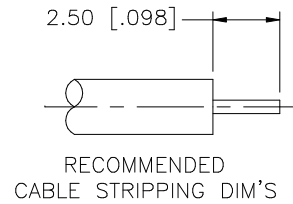


REV.	DATE	DESCRIPTION
A	01/25/04	UPDATE DRAWING FORMAT
B	08/07/05	MODIFY CONTACT PIN



NOTE:

- CONTACT PIN TO SOLDER

DESCRIPTION	MATERIAL	FINISH	QTY	DO NOT SCALE DRAWING	APPROVALS	DATE	Amphenol Connex		
8							<b>SMA DIRECT SOLDER JACK (FOR .047" SIMI-RIGID CABLE)</b>		
7									
6									
5	SOLDER BARREL	BRASS	GOLD	1					
4	INSULATOR	TEFLON	NATURAL	1			PART DESCRIPTION		
3	CONTACT PIN	BER. COPPER	GOLD	1			PART NO.		
2	INSULATOR	TEFLON	NATURAL	1			132257		
1	BODY	BRASS	GOLD	1			DWG. NO. 132257.DWG		
							REV.	SIZE	SCALE
							B	A	NA

UNLESS OTHERWISE SPECIFIED DIMENSIONS ARE IN MILLIMETERS. DIMENSIONS IN [ ] ARE IN INCHES AND FOR CUSTOMER REFERENCE ONLY.

UNLESS OTHERWISE SPECIFIED TOLERANCES FOR MILLIMETERS ARE:  
0.5 - 8mm ± 0.20mm  
8 - 30mm ± 0.40mm  
30 - 120mm ± 0.50mm

UNLESS OTHERWISE SPECIFIED TOLERANCES FOR INCHES ARE:  
.020 - .315 = ± 0.007"  
.315 - 1.180 = ± 0.015"  
1.180 - 4.724 = ± 0.020"

APPROVALS	DATE
DRAWN G.R.S.	08/07/05
CHECKED	
ISSUED	
SHEET 1 OF 1	
CAD FILE	
C:/132/132257.DWG	

Amphenol Connex		
PART DESCRIPTION		
SMA DIRECT SOLDER JACK (FOR .047" SIMI-RIGID CABLE)		
PART NO.		
132257		
DWG. NO.	132257.DWG	REV. B
SIZE	A	SCALE NA

## X-ON Electronics

Largest Supplier of Electrical and Electronic Components

*Click to view similar products for [RF Connectors / Coaxial Connectors](#) category:*

*Click to view products by [Amphenol](#) manufacturer:*

Other Similar products are found below :

[8915-1511-000](#) [89674-0827](#) [6001-7071-019](#) [6002-7051-003](#) [6002-7551-202](#) [6059674-1](#) [619550-1](#) [630059-000](#) [M39030/3-01N](#) [6500-7071-046](#) [6769](#) [CX050L2AQ](#) [7002-1542-011](#) [7004-1512-000](#) [7009-1511-004](#) [7010-1511-000](#) [7029-1511-060](#) [7101-1541-010](#) [7101-1571-002](#) [7105-1521-002](#) [7145-1521-002](#) [7203-1571-003](#) [7209-1511-011](#) [7210-1511-015](#) [7210-1511-019](#) [73137-5015](#) [73216-2241](#) [7325-1512-000](#) [73404-2300](#) [7405-1521-005](#) [7405-1521-802](#) [7406-1521-005](#) [8527](#) [8547](#) [FS11V](#) [8808-1511-001](#) [9049-9513-000](#) [9074-9513-000](#) [9101-9573-002](#) [910A205F](#) [9130-9573-002](#) [PL11SC-026](#) [PL375-33](#) [PL40-5](#) [PL71-9](#) [PL74C-221](#) [PL75MC-217](#) [PL803-7](#) [980-8666-005](#) [1200690078](#)