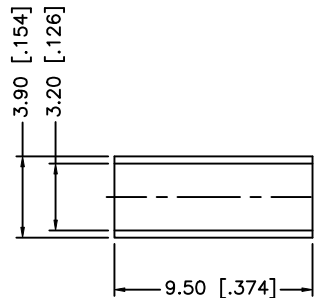
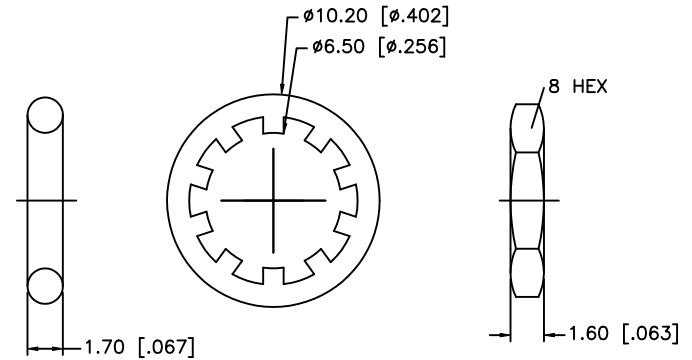
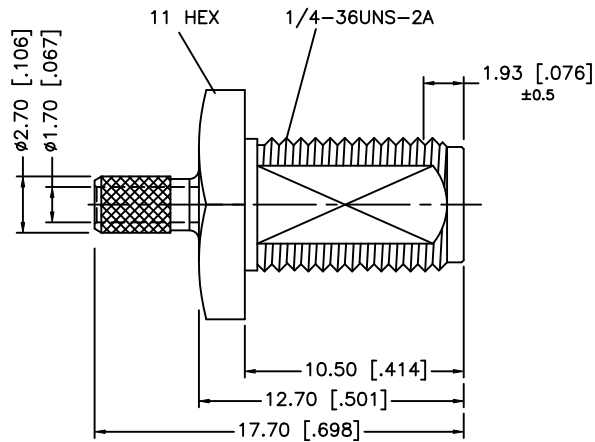
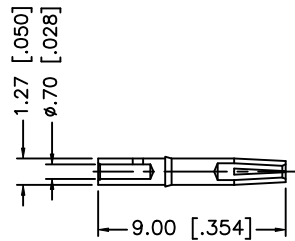
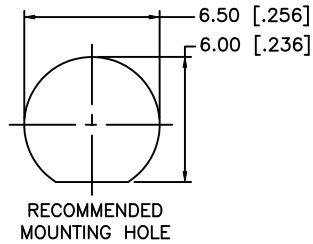
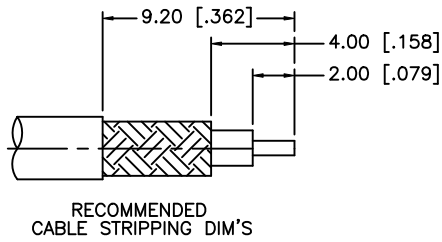


REV.	DATE	ECR NO.	DESCRIPTION
A	01/30/04	-	UPDATE DRAWING FORMAT
B	10/05/04	-	MODIFY BODY HEX ORIENTATION
C	08/29/08	-	REVISE BARREL O.D./ REVISE FERRULE I.D. AND O.D.



NOTE:

1. CRIMPED FERRULE HEX CRIMP SIZE .128" [3.25]
2. CONTACT PIN TO SOLDER

DESCRIPTION	MATERIAL	FINISH	QTY	DO NOT SCALE DRAWING	APPROVALS	DATE	PART DESCRIPTION				
8							<h1 style="text-align: center; color: blue;">Amphenol Connex</h1> <p style="text-align: center;">SMA BULKHEAD CRIMP JACK O-RING SEAL (FOR RG-174/U, 188A/U, 316/U CABLE)</p>				
7	FERRULE	COPPER	GOLD	1	DRAWN	GRS					08/29/08
6	HEX NUT	BRASS	GOLD	1	CHECKED						
5	LOCK WASHER	BRASS	GOLD	1	ISSUED						
4	GASKET	SILICONE	RED	1	SHEET	1 OF 1					
3	CONTACT PIN	BER. COPPER	GOLD	1	PART NO.		132284				
2	INSULATOR	PTFE	NATURAL	1	DWG. NO.		132284.DWG				
1	BODY	BRASS	GOLD	1	REV.		C				
				SIZE		A		SCALE		NA	

UNLESS OTHERWISE SPECIFIED DIMENSIONS ARE IN MILLIMETERS. DIMENSIONS IN [] ARE IN INCHES AND FOR CUSTOMER REFERENCE ONLY.

UNLESS OTHERWISE SPECIFIED TOLERANCES FOR MILLIMETERS ARE:
0.5 - 8mm ± 0.20mm
8 - 30mm ± 0.40mm
30 - 120mm ± 0.50mm

UNLESS OTHERWISE SPECIFIED TOLERANCES FOR INCHES ARE:
.020 - .315 = ± 0.007"
.315 - 1.180 = ± 0.015"
1.180 - 4.724 = ± 0.020"

APPROVALS	DATE
DRAWN GRS	08/29/08
CHECKED	
ISSUED	
SHEET 1 OF 1	
CAD FILE	C:/132/132284.DWG

Amphenol Connex

SMA BULKHEAD CRIMP JACK O-RING SEAL
(FOR RG-174/U, 188A/U, 316/U CABLE)

132284

132284.DWG

REV. C SIZE A SCALE NA

X-ON Electronics

Largest Supplier of Electrical and Electronic Components

Click to view similar products for [RF Connectors / Coaxial Connectors](#) category:

Click to view products by [Amphenol](#) manufacturer:

Other Similar products are found below :

[8915-1511-000](#) [89674-0827](#) [6001-7071-019](#) [6002-7051-003](#) [6002-7551-202](#) [6059674-1](#) [619550-1](#) [630059-000](#) [M39030/3-01N](#) [M3933/25-36N](#) [6500-7071-046](#) [6769](#) [CX050L2AQ](#) [7002-1542-011](#) [7004-1512-000](#) [7009-1511-004](#) [7010-1511-000](#) [7029-1511-060](#) [7101-1541-010](#) [7101-1571-002](#) [7105-1521-002](#) [7145-1521-002](#) [7203-1571-003](#) [7209-1511-011](#) [7210-1511-015](#) [7210-1511-019](#) [73137-5015](#) [73216-2241](#) [7325-1512-000](#) [73404-2300](#) [7405-1521-005](#) [7405-1521-802](#) [7406-1521-005](#) [8527](#) [8547](#) [FS11V](#) [8808-1511-001](#) [9049-9513-000](#) [9074-9513-000](#) [9101-9573-002](#) [910A205F](#) [9130-9573-002](#) [PL11SC-026](#) [PL375-33](#) [PL40-5](#) [PL71-9](#) [PL74C-221](#) [PL75MC-217](#) [PL803-7](#) [980-8666-005](#)